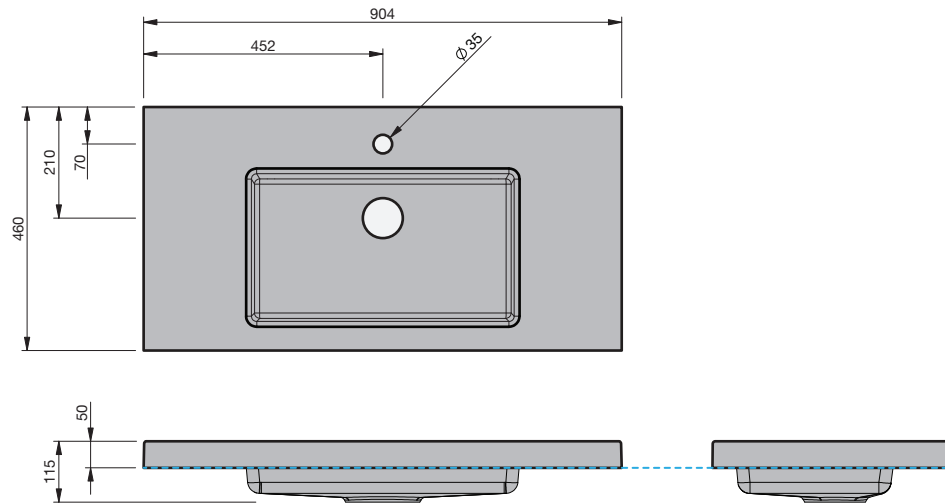
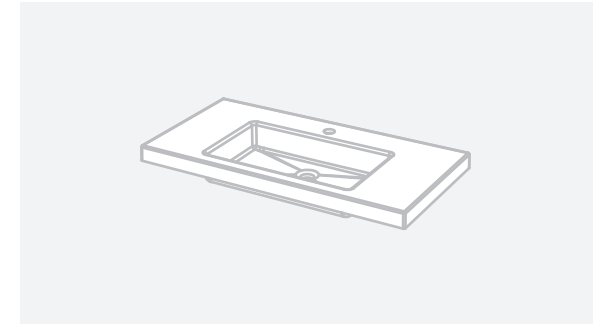


BASIN SPECIFICATION
Sussy - 900



Cabinet range (refer to applicable cabinet data sheet)



CITY 46

Product Features

Type of basin	Console Basin
Material of basin	Mineral Cast / Cherry Pie®
Capacity of basin	11 litre
Overflow Configuration	Overflow not provided
Colour options	White Gloss / White Matte

- The basin must be sealed to the top with an acetic cured silicone sealant.
- Epoxy type sealants must not be used.

INDICATES TOP SURFACE -----

IMPORTANT NOTE: Throughout this guide, dimensions may vary by ± 2 mm. Please read the installation manual for detailed information on installing the product. St. Michel pursues a policy of continuing improvement in design and manufacturing of its products. The right is therefore reserved to vary specifications without notice. For full installation instructions visit stmichel.co.nz.

Date edited:

7 / 08 / 2019