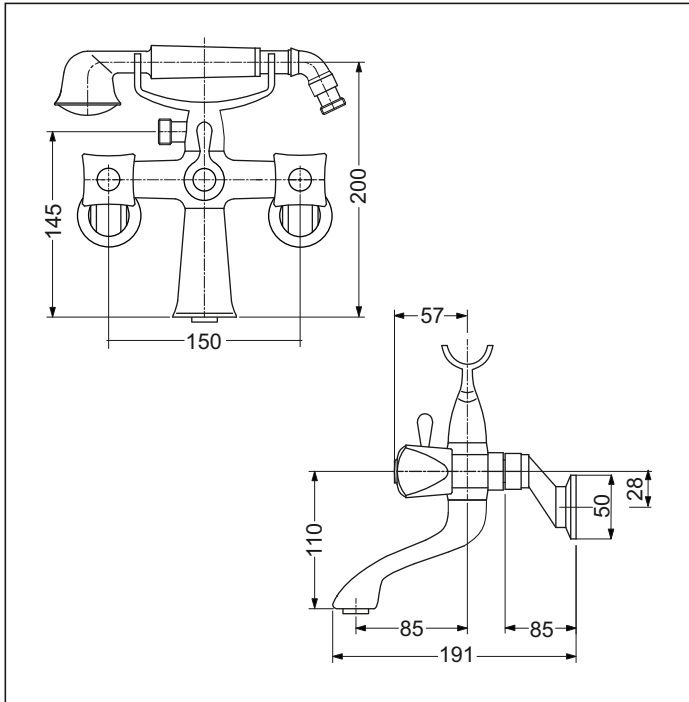


Berlino

Bath Set with Telephone Handshower



Code: BE BSETTHS15 15mm inlet

Code: BE BSETTHS20 20mm inlet

Finish: Chrome

Mechanism: Standard European cast (Ceramic mechanisms available on request)

Spout: Cast. Fixed

Body: Centre to centre = 150mm

Handle: Chrome plated, die cast zinc

Water Inlet: 1/2" or 3/4" BSP female thread via eccentrics (depending on code)

Water Outlet: Aerator at spout Single spray head for handshower

Divertor: Manual

Mounting: Via eccentrics

Installation holes diameter: 22 or 26mm minimum to 45mm maximum

Hand Shower: Single spray metal head with metal hose
(internal diameter = 5.5mm length = 1.4m)

Eccentrics: Will connect the water outlets over the following ranges:

Standard (150 ± 54) = 96 to 204mm

Special (150 ± 115) = 35 to 265mm

Eccentric height (reach from wall): Standard = 50mm Special = 80mm

Flow Control: PCW9 for hand shower

Features: Cradle for hand shower (Optional wall support available)

Pressure Range: 20 - 600 kpa

Water Flow: Max hot water flow @ 35kPa

Spout = 20.8 l/min

Hand shower = 6.1 l/min

Aquatica Warranty

Aquatica NZ Limited offer the following warranty periods on its range of tapware from the date of purchase.

Residential Use

- Tapware - 5 year warranty
- Handshowers, Shower Roses – 2 year warranty
- Pull-out Sprays and spray heads on Sink Mixer Coils – 2 year warranty
- Commercial tapware – 2 year warranty

Commercial Use

- Tapware - 1 year warranty
- Handshowers, Shower Roses – 1 year warranty
- Pull-out Sprays and spray heads on Sink Mixer Coils – 1 year warranty

Only high quality workmanship and materials have been used in the manufacture of Aquatica's tapware. If any workmanship or material is proven faulty during the warranty period, Aquatica NZ Limited will, at its own cost or option, repair or replace the faulty product.

The warranty is transferable but the original proof of purchase from an authorised Aquatica distributor is required for all claims.

Aquatica's liability will not extend to damage caused by reasonably foreseeable loss such as inappropriate materials in a wet area ie. floating wooden floors.

Waterlines to tapware incorporating a ceramic cartridge or ceramic disc mechanism should have an inline strainer or filter fitted. Absence of these may void the warranty.

Any suspected defect must be notified to Aquatica as soon as possible after discovery. All repair work must be performed by a plumber who has received authorisation from Aquatica prior to proceeding with the work. Aquatica may immediately authorise repair work to be undertaken, however, this is not necessarily acceptance of liability.

Aquatica guarantee that the tapware will be able to handle temperatures up to a maximum of 80°C.

Water pressure up to 1000 kPa is the maximum limit for the tapware. Above this the warranty will become void.

Serial numbers or tags should not be removed from the products as they are essential in establishing warranty.

Aquatica NZ Limited

9 Saunders Place,
Avondale, Auckland.

Tel: 09-828 2068,

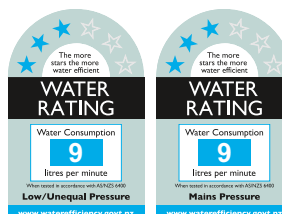
Fax: 09-828 2069

Email: info@aquatica.co.nz

or visit our website:
www.aquatica.co.nz

© copyright Aquatica 2016

WELLS only applies
to handshower



Suitable for low/unequal & mains pressure systems

Recommended Operational Pressure Range: 35 - 600 kPa

Maximum Operating Temp: 80°C Never to Exceed: 1000 kPa