

trayrite

Shower Tray Waste System



Dome - White



Dome - Chrome Plate



Flat - Chrome Plate



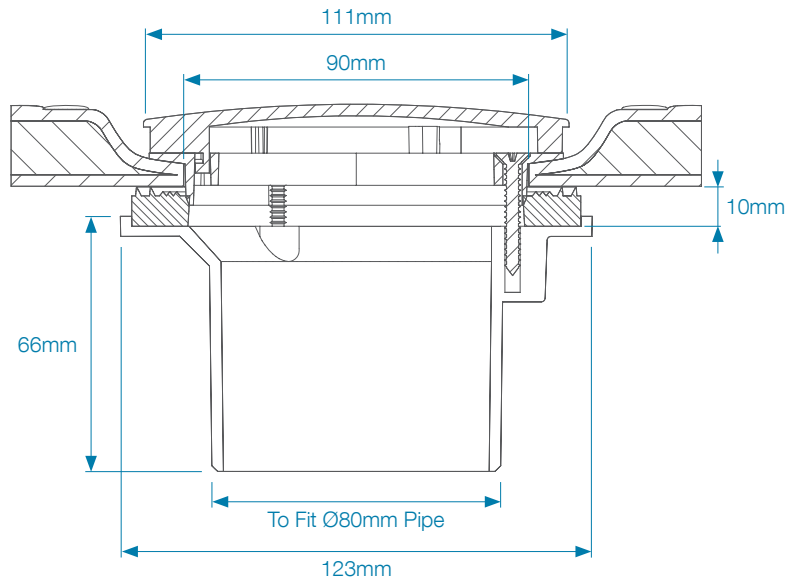
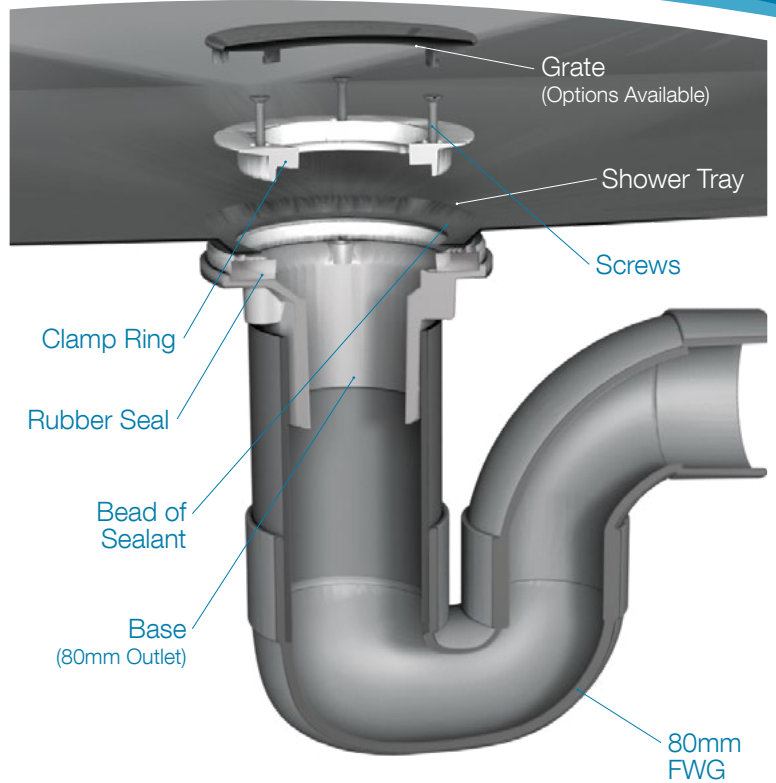
Flat - White



Flat - Stainless Steel

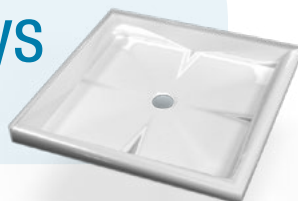
Allproof Trayrite

- > Designed to work with the majority of shower bases
- > 80mm spigot outlet for multiple installation applications
- > No cleaning required - hair and soap residue simply washes away through large diameter pipe and water trap
- > Mechanically fixed clamping ring provides piece of mind for a watertight installation
- > Thick compressive sealing washer seals between tray and body of waste
- > Select either a stylish dome or flat grates in white, chrome or stainless steel (flat only)
- > Suitable for acrylic or stainless steel shower trays (different clamp rings)
- > Proudly manufactured in New Zealand



Stainless Steel Shower Trays

Talk to us to find out more



Product Codes

Code	Description
ST80DCP	80MM SHOWER TRAY DOME CP
ST80FCP	80MM SHOWER TRAY FLAT CP
ST80DWH	80MM SHOWER TRAY DOME WHITE
ST80FWH	80MM SHOWER TRAY FLAT WHITE
ST80FSS	80MM SHOWER TRAY FLAT STAINLESS
ST80DCP SS	80MM SHOWER TRAY DOME CP FOR SS TRAY
ST80FCP SS	80MM SHOWER TRAY FLAT CP FOR SS TRAY
ST80DWH SS	80MM SHOWER TRAY DOME WHITE FOR SS TRAY
ST80FWH SS	80MM SHOWER TRAY FLAT WHITE FOR SS TRAY
ST80FSS SS	80MM SHOWER TRAY FLAT STAINLESS FOR SS TRAY