

TECHNICAL PRODUCT INFORMATION

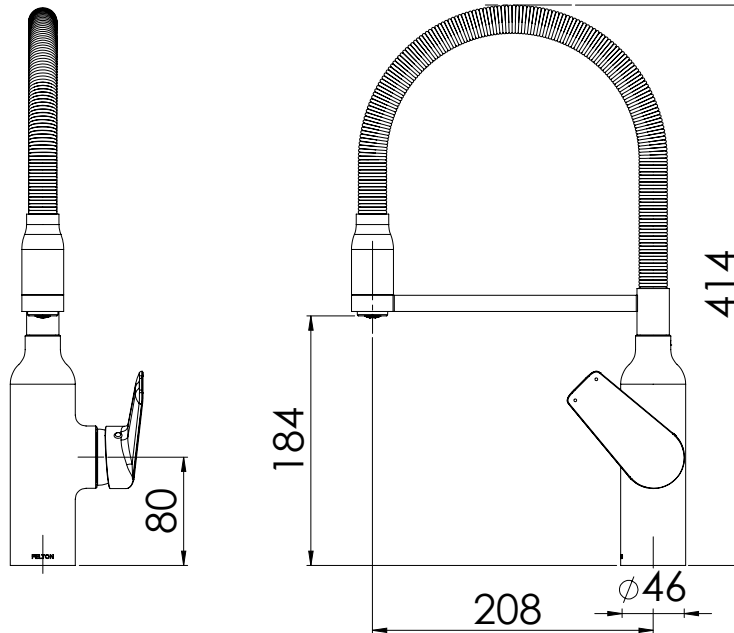
CORTO

SINK MIXER

CSMC

FEATURES & BENEFITS

- For all pressures (up to 1500kPa)
- Pull down spring action
- Single spray function
- 35mm quality European cartridge with anti-scald and flow limiter
- Ideal for washing vegetables, cleaning dishes or harder to reach areas
- 360° swivel spout & pivoting aerator included
- Designed in NZ
- Watermark certified
- 10 year warranty & lifetime extension warranty available



EXCLUSIVE TO

