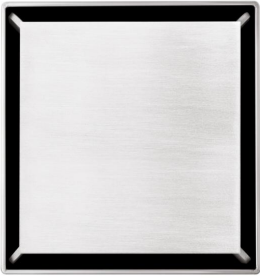




Data Sheets

Drainage

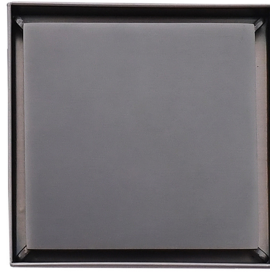
POINT
DRAINS



Brushed Stainless
FD11XS65-SI

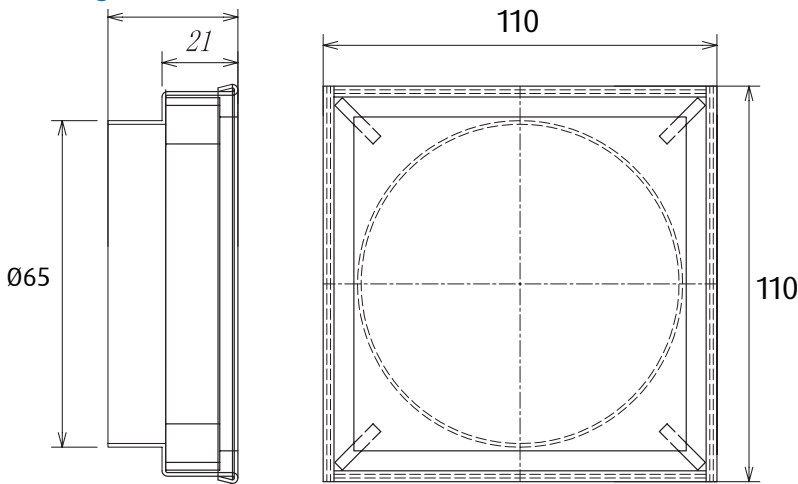


Brushed Black
FD11XS65-SI Black

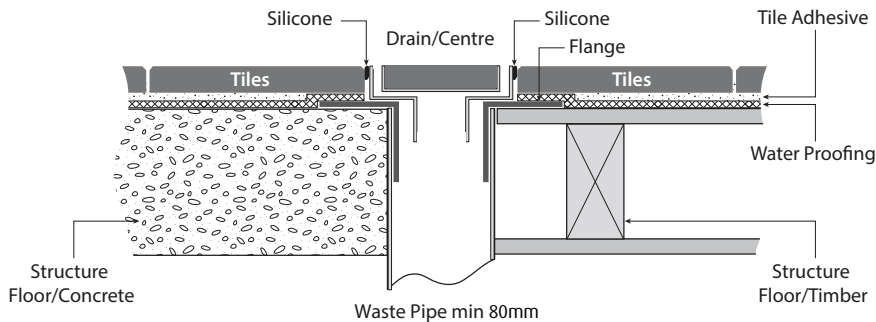


Brushed Gun-metal
FD11XS65-SI GM

Drawing



Installation Diagram



Drainage

Point Drain

SOLID BRUSHED STAINLESS

(Available in brushed stainless, black and gun-metal finish)

Product Codes

FD11XS65-SI

FD11XS65-SI Black

FD11XS65-SI GM

Dimensions (mm)

110(l) x 110(w) x 21(d)

Features

Superior fall/centre outlet

316 grade stainless steel

Manufactured from high quality maintenance-free materials

Ø65mm

5 year warranty

Required waste flange Ø80mm (minimum)