

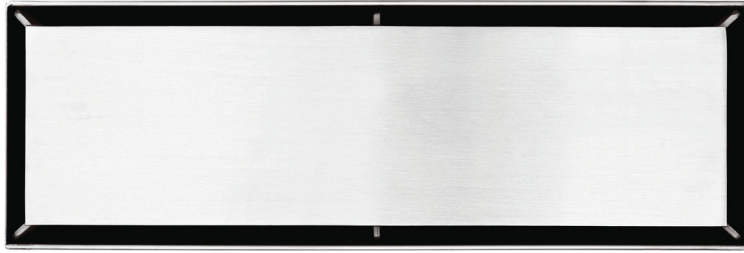


# Data Sheets

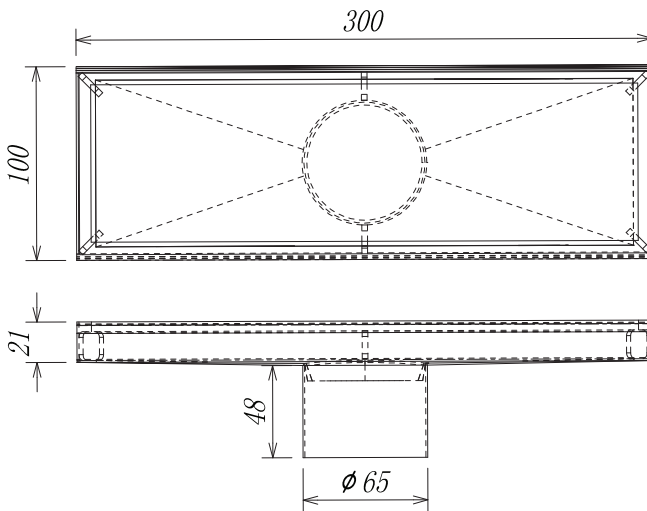
---

Drainage

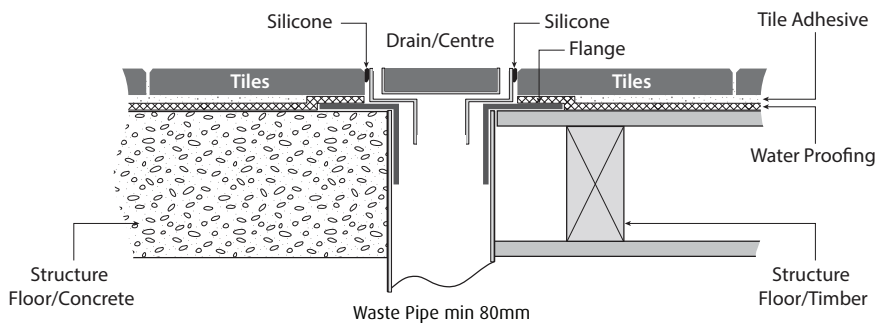
300mm  
DRAINS



## Drawing



## Installation Diagram



## Drainage

Channel Drain - 300mm

**SOLID BRUSHED  
STAINLESS**

**Product Code**

FDTB300W

**Dimensions (mm)**

300(l) x 100(w) x 21(d)

**Features**

Superior fall/centre outlet

316 grade stainless steel

Manufactured from high quality  
maintenance-free materials

Ø65mm

5 year warranty

Required waste flange Ø80mm  
(minimum)

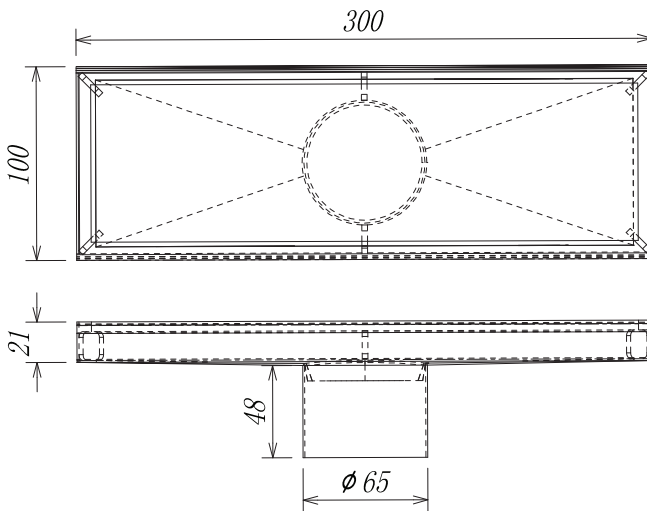
**Tranquillity New Zealand Ltd**

NEW ZEALAND T 0800 805 558 E [info@tbw.co.nz](mailto:info@tbw.co.nz) W [tbw.co.nz](http://tbw.co.nz)

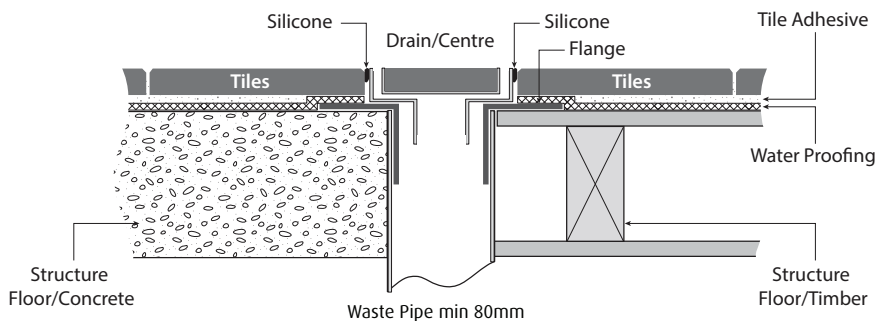
AUSTRALIA T 1300 621 151 E [info@formebathroomcollection.com.au](mailto:info@formebathroomcollection.com.au) W [formebathroomcollection.com.au](http://formebathroomcollection.com.au)



## Drawing



## Installation Diagram



## Drainage

### Channel Drain - 300mm

## MESH

### Product Code

FDM300W

### Dimensions (mm)

300(l) x 100(w) x 21(d)

### Features

Superior fall/centre outlet

316 grade stainless steel

Manufactured from high quality  
maintenance-free materials

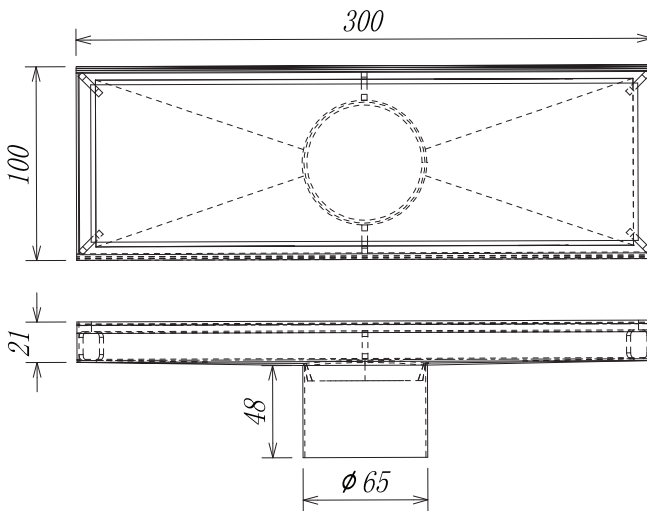
Ø65mm

5 year warranty

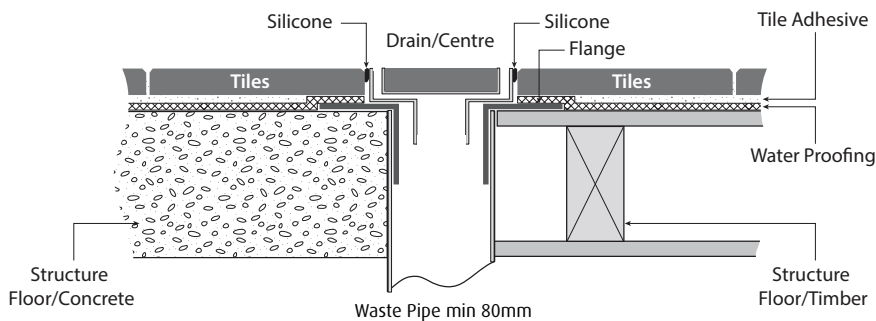
Required waste flange Ø80mm  
(minimum)



## Drawing



## Installation Diagram



## Drainage

### Channel Drain - 300mm

## TILE INSERT

### Product Code

FDT300W

### Dimensions (mm)

300(l) x 100(w) x 21(d)

### Features

Superior fall/centre outlet

316 grade stainless steel

Manufactured from high quality  
maintenance-free materials

Ø65mm

5 year warranty

Required waste flange Ø80mm  
(minimum)