



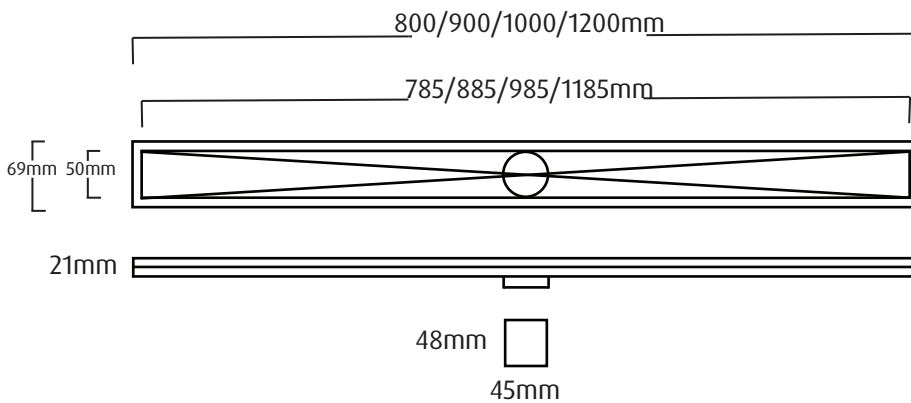
Data Sheets

Drainage

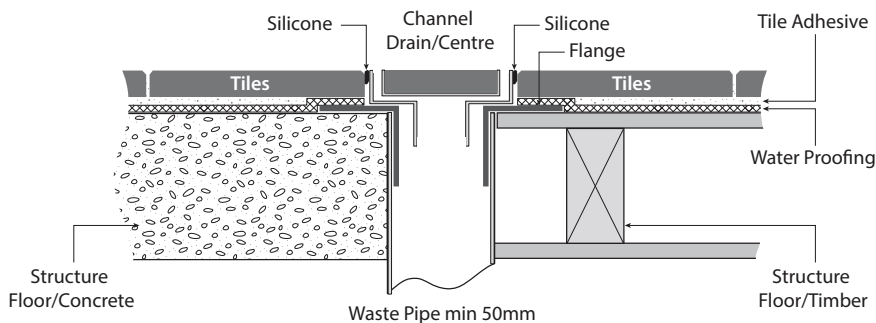
CHANNEL
DRAINS



Drawing



Installation Diagram



Drainage

Channel Drain

SOLID-BRUSHED STAINLESS

Product Code

FDTB 800 SS

FDTB 900 SS

FDTB 1000 SS

FDTB 1200 SS

Dimensions (mm)

800(l) x 69(w) x 21(d)

900(l) x 69(w) x 21(d)

1000(l) x 69(w) x 21(d)

1200(l) x 69(w) x 21(d)

Features

Superior fall/centre outlet

316 grade stainless steel

Manufactured from high quality

maintenance-free materials

Ø45mm

5 year warranty

Minimum required
waste flange Ø50mm

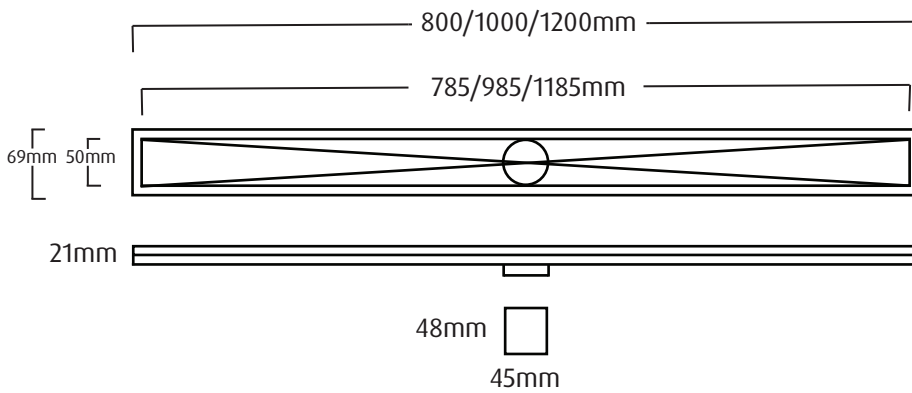
Tranquillity New Zealand Ltd

NEW ZEALAND T 0800 805 558 E info@tbw.co.nz W tbw.co.nz

AUSTRALIA T 1300 621 151 E info@formebathroomcollection.com.au W formebathroomcollection.com.au



Drawing



Drainage

Channel Drain

LINEAR

Product Code

FDL 800

FDL 1000

FDL 1200

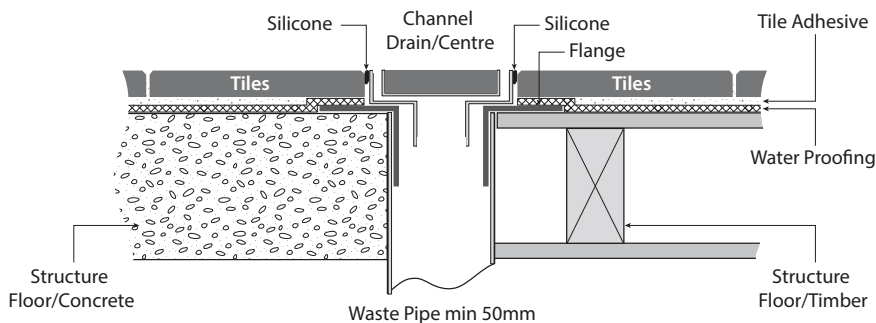
Dimensions (mm)

800(l) x 69(w) x 21(d)

1000(l) x 69(w) x 21(d)

1200(l) x 69(w) x 21(d)

Installation Diagram



Features

Superior fall/centre outlet

316 grade stainless steel

Manufactured from high quality maintenance-free materials

Ø45mm

5 year warranty

Minimum required waste flange Ø50mm

Tranquillity New Zealand Ltd

NEW ZEALAND T 0800 805 558 E info@tbw.co.nz W tbw.co.nz

AUSTRALIA T 1300 621 151 E info@formebathroomcollection.com.au W formebathroomcollection.com.au

Product Code

- FDM 800
- FDM 900
- FDM 1000
- FDM 1200
- FDM 1800

Dimensions (mm)

- 800(l) x 69(w) x 21(d)
- 900(l) x 69(w) x 21(d)
- 1000(l) x 69(w) x 21(d)
- 1200(l) x 69(w) x 21(d)
- 1800(l) x 69(w) x 21(d)

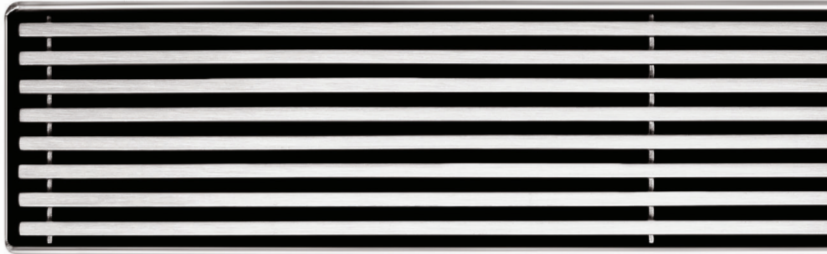
Features

- Superior fall/centre outlet
- 316 grade stainless steel
- Manufactured from high quality maintenance-free materials

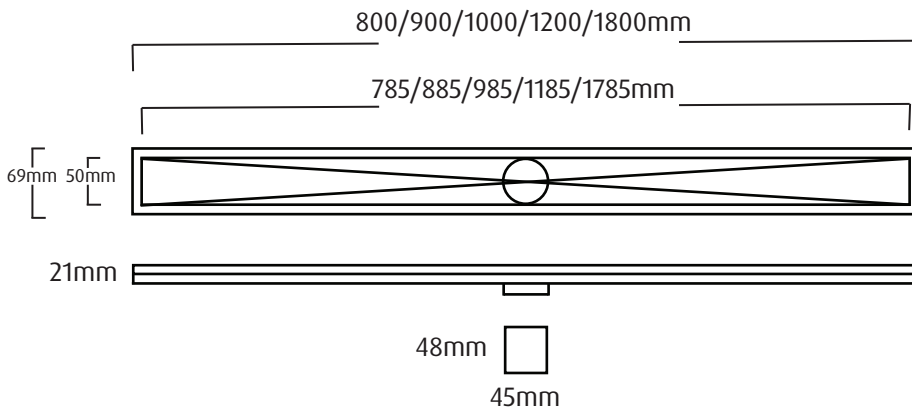
Ø45mm

5 year warranty

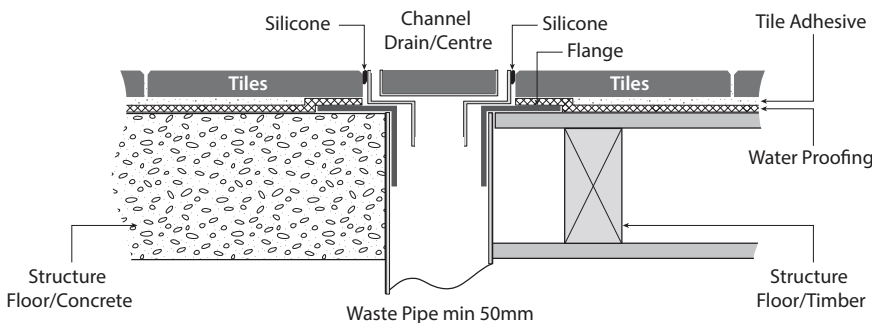
Minimum required waste flange Ø50mm



Drawing

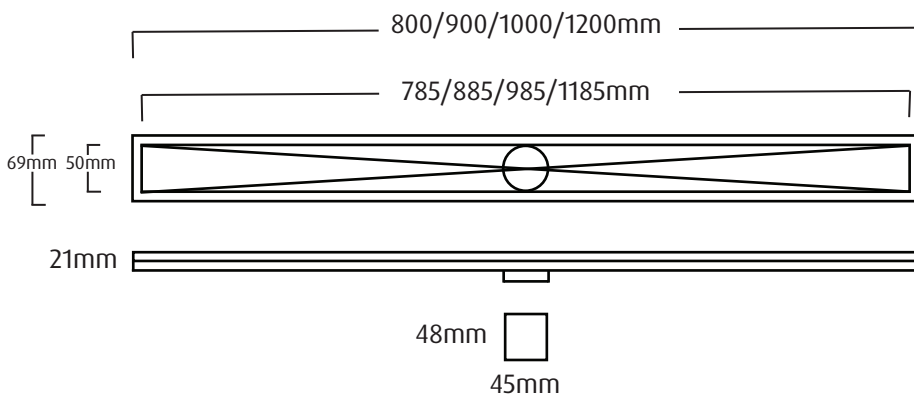


Installation Diagram



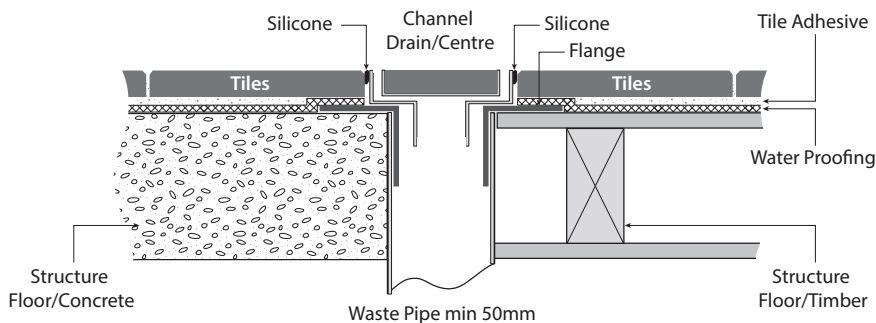


Drawing



FDT 1800 on Page 6

Installation Diagram



Drainage

Channel Drain TILE INSERT

Product Code

FDT 800

FDT 900

FDT 1000

FDT 1200

Dimensions (mm)

800(l) x 69(w) x 21(d)

900(l) x 69(w) x 21(d)

1000(l) x 69(w) x 21(d)

1200(l) x 69(w) x 21(d)

Features

Superior fall/centre outlet

316 grade stainless steel

Manufactured from high quality
maintenance-free materials

Ø45mm

5 year warranty

Minimum required
waste flange Ø50mm

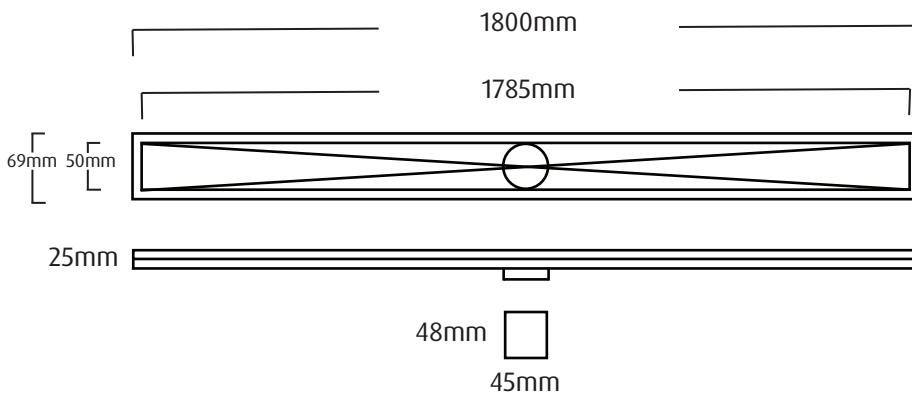
Tranquillity New Zealand Ltd

NEW ZEALAND T 0800 805 558 E info@tbw.co.nz W tbw.co.nz

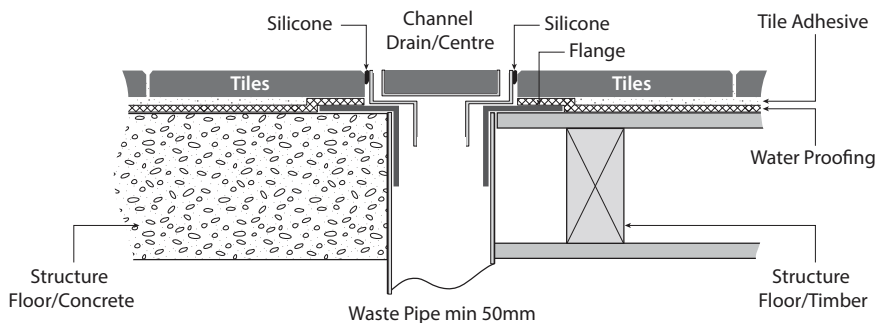
AUSTRALIA T 1300 621 151 E info@formebathroomcollection.com.au W formebathroomcollection.com.au



Drawing



Installation Diagram



Drainage

Channel Drain TILE INSERT

Product Code

FDT 1800

Dimensions (mm)

1800(l) x 69(w) x 25(d)

Features

Superior fall/centre outlet

316 grade stainless steel

Manufactured from high quality
maintenance-free materials

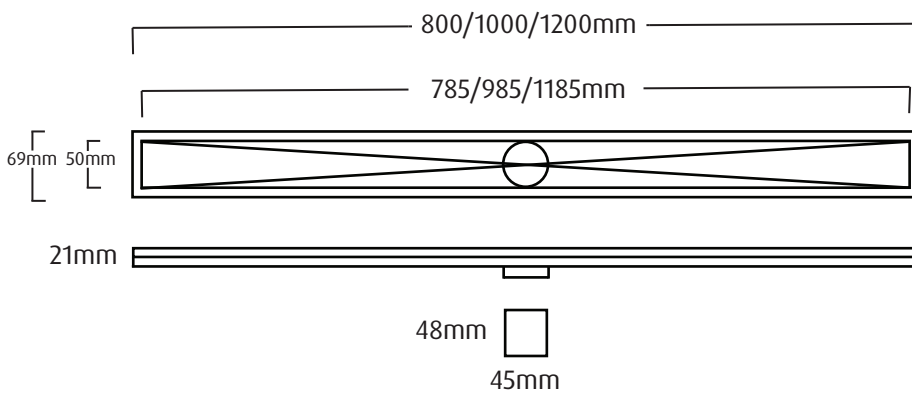
Ø45mm

5 year warranty

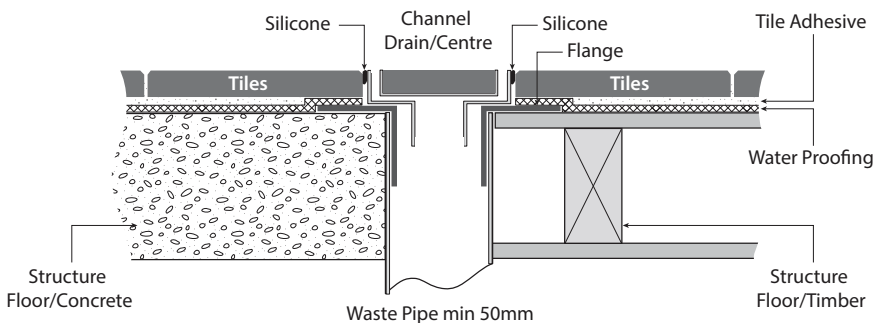
Minimum required
waste flange Ø50mm



Drawing



Installation Diagram



Drainage

Channel Drain

JAGUAR BLACK GLASS

Product Code

FDG 800

FDG 1000

FDG 1200

Dimensions (mm)

800(l) x 69(w) x 21(d)

1000(l) x 69(w) x 21(d)

1200(l) x 69(w) x 21(d)

Features

Superior fall/centre outlet

316 grade stainless steel

Manufactured from high quality maintenance-free materials

Ø45mm

5 year warranty

Minimum required waste flange Ø50mm

Tranquillity New Zealand Ltd

NEW ZEALAND T 0800 805 558 E info@tbw.co.nz W tbw.co.nz

AUSTRALIA T 1300 621 151 E info@formebathroomcollection.com.au W formebathroomcollection.com.au