



Data Sheets

Heated Towel Rails

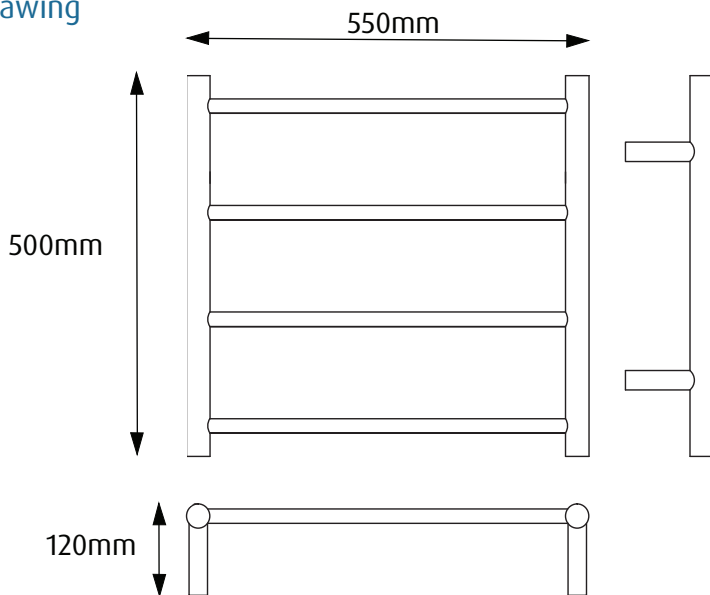
JERSEY
ROUND

tranquillity
bathroomware



Jersey 4 bar ROUND
ER4

Drawing



| | |
|---------------|------------------|
| Width centres | Vertical centres |
| 520mm | 300mm |



- Notes:
- Wiring connection is either LH or RH bottom leg and can be a concealed or exposed connection.
 - It should be positioned at least 600mm above the floor.

Heated Towel Rails

JERSEY ROUND 4 BAR

Product Code

ER4

Dimensions (mm)

550(w) x 500(h) x 120(d)

Features

4 bars

Hand polished mirror finish

High grade stainless steel

8i U`k]fYX!`Wb`WbbYMMZfca`
@`cf`F<`Vchrca` ``Y[

Polished stainless steel
end caps

Concealed wiring kit included

All fixing accessories included

Additional information

40watts, 230-240 Volts,
50 Hz single phase

Class 1 appliance - requires an
earth connection

Ingress Protection Rating -
IP45 Splashproof

JERSEY ROUND

6 BAR

Product Codes

ER6/ ER6 BLACK/ ER6 BSS/
ER6 GM

Dimensions (mm)

600(w) x 780(h) x 120(d)

Features

6 bars

High grade stainless steel

Dual wired - can connect from
LH or RH bottom leg

Polished stainless steel
end caps

Concealed wiring kit included

All fixing accessories included

Additional information

60watts, 230-240 Volts,
50 Hz single phase

Class 1 appliance - requires an
earth connection

Ingress Protection Rating - IP45
Splashproof



ROUND POLISHED
ER6



ROUND BLACK
ER6 BLACK

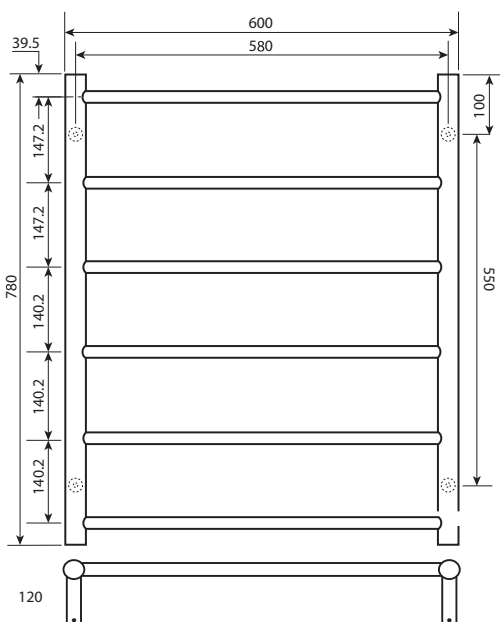


ROUND BRUSHED STAINLESS
ER6 BSS



ROUND BRUSHED GUN-METAL
ER6 GM

Drawing



Notes:

- Wiring connection is either LH or RH bottom leg and can be a concealed or exposed connection.
- It should be positioned at least 600mm above the floor.

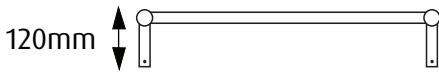
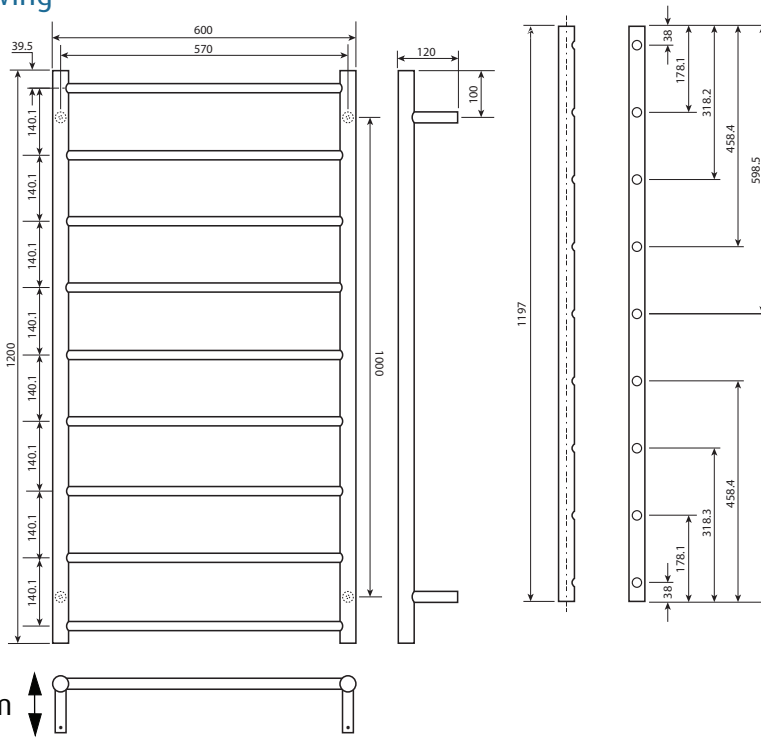
| Width centres | Vertical centres |
|---------------|------------------|
| 580mm | 550mm |





Jersey 9 bar ROUND
ER9

Drawing



| Width centres | Vertical centres |
|---------------|------------------|
| 570mm | 1000mm |



- Notes:**
- Wiring connection is either LH or RH bottom leg and can be a concealed or exposed connection.
 - It should be positioned at least 600mm above the floor.

Tranquillity New Zealand Ltd

NEW ZEALAND T 0800 805 558 E info@tbw.co.nz W tbw.co.nz

AUSTRALIA T 1300 621 151 E info@formebathroomcollection.com.au W formebathroomcollection.com.au

Heated Towel Rails

JERSEY ROUND
9 BAR

Product Code

ER9

Dimensions (mm)

600(w) x 1200(h) x 120(d)

Features

9 bars

- Hand polished mirror finish
- High grade stainless steel
- Dual wired - can connect from LH or RH bottom leg
- Polished stainless steel end caps
- Concealed wiring kit included
- All fixing accessories included

Additional information

90watts, 230-240 Volts,
50 Hz single phase

Class 1 appliance - requires an earth connection

Ingress Protection Rating - IP45
Splashproof



Data Sheets

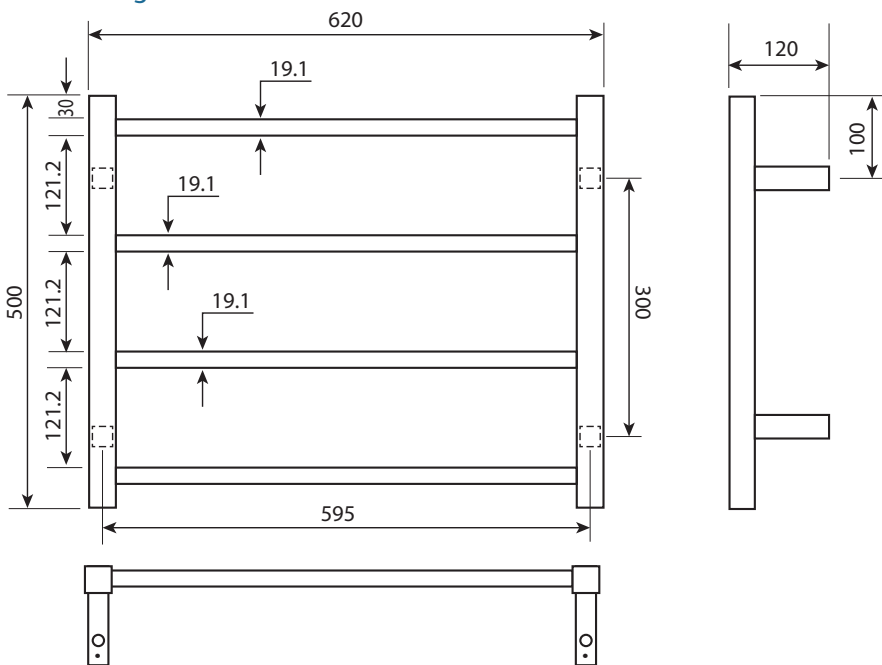
Heated Towel Rails

JERSEY
SQUARE



Jersey 4 bar SQUARE
MS4

Drawing



| Width centres | Vertical centres |
|---------------|------------------|
| 595mm | 300mm |



- Notes:
- Wiring connection is either LH or RH bottom leg and can be a concealed or exposed connection.
 - It should be positioned at least 600mm above the floor.

Heated Towel Rails

JERSEY SQUARE
4 BAR

Product Code

MS4

Dimensions (mm)

620(w) x 500(h) x 120(d)

Features

4 bars

- Hand polished mirror finish
- High grade stainless steel
- Dual wired - can connect from LH or RH bottom leg
- Polished stainless steel end caps
- Concealed wiring kit included
- All fixing accessories included

Additional information

40watts, 230-240 Volts,
50 Hz single phase

Class 1 appliance - requires an earth connection

Ingress Protection Rating - IP45
Splashproof

JERSEY SQUARE
7 BAR

Product Codes

MS7/ MS7 BLACK /
MS7 BSS/ MS7 GM

Dimensions (mm)
620(w) x 920(h) x 120(d)

Features

7 bars

High grade stainless steel

Dual wired - can connect from
LH or RH bottom leg

Polished stainless steel
end caps

Concealed wiring kit included

All fixing accessories included

Additional information

80watts, 230-240 Volts,
50 Hz single phase

Class 1 appliance - requires an
earth connection

Ingress Protection Rating -
IP45 Splashproof



SQUARE POLISHED
MS7



SQUARE BLACK
MS7 BLACK

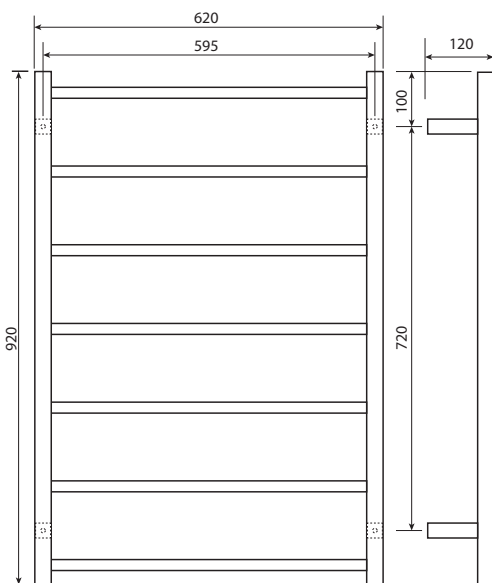


SQUARE BRUSHED STAINLESS
MS7 BSS



SQUARE BRUSHED GUN-METAL
MS7 GM

Drawing



Notes:

- Wiring connection is either LH or RH bottom leg and can be a concealed or exposed connection.
- It should be positioned at least 600mm above the floor.

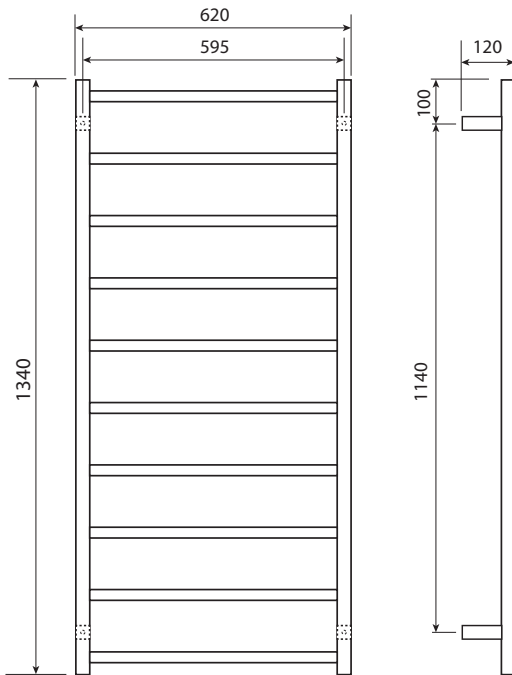
| Width centres | Vertical centres |
|---------------|------------------|
| 595mm | 720mm |





Jersey 10 bar SQUARE
MS10

Drawing



| | |
|---------------|------------------|
| Width centres | Vertical centres |
| 595mm | 1140mm |



- Notes:
- Wiring connection is either LH or RH bottom leg and can be a concealed or exposed connection.
 - It should be positioned at least 600mm above the floor.

Heated Towel Rails

JERSEY SQUARE
10 BAR

Product Code

MS10

Dimensions (mm)

620(w) x 1340(h) x 120(d)

Features

10 bars

- Hand polished mirror finish
- High grade stainless steel
- Dual wired - can connect from LH or RH bottom leg
- Polished stainless steel end caps
- Concealed wiring kit included
- All fixing accessories included

Additional information

110watts, 230-240 Volts,
50 Hz single phase

Class 1 appliance - requires an earth connection

Ingress Protection Rating - IP45
Splashproof