

# Data Sheets

---

Accessories

Tranquillity  
Round



# Paper holder ROUND

Tranquillity Round Accessories

Product code: BA10-5/ BA10-5 Black/ BA10-5 BSS

Dimensions: 165(w) x 40(h) x 100(d) mm

## Features

Guaranteed for 5 years against manufacturing defects • Easily installed into new or existing bathrooms.



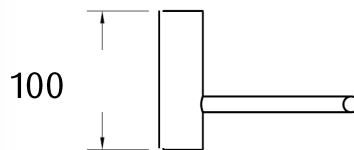
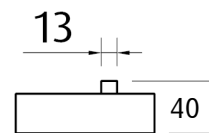
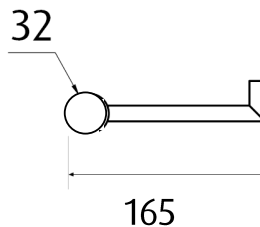
**Polished** STAINLESS STEEL  
Code: BA10-5



**Jaguar Black** STAINLESS STEEL  
WITH MATT BLACK FINISH  
Code: BA10-5 Black



**Brushed** STAINLESS STEEL  
WITH BRUSHED FINISH  
Code: BA10-5 BSS



Note: Manufacturing tolerances could cause variances of  $\pm 5$ mm.



# Single robe hook ROUND

Tranquillity Round Accessories

Product code: **BA10-3/ BA10-3 Black/ BA10-3 BSS**

Dimensions: 38(w) x 54(h) x 60(d) mm

## Features

Guaranteed for 5 years against manufacturing defects • Easily installed into new or existing bathrooms.



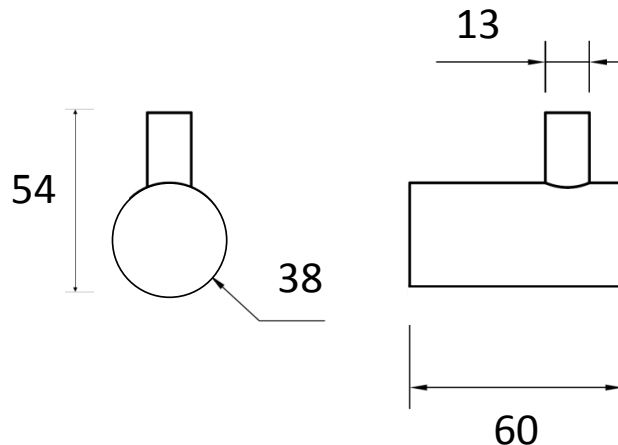
**Polished** STAINLESS STEEL  
Code: BA10-3



**Jaguar Black** STAINLESS STEEL  
WITH MATT BLACK FINISH  
Code: BA10-3 Black



**Brushed** STAINLESS STEEL  
WITH BRUSHED FINISH  
Code: BA10-3 BSS



Note: Manufacturing tolerances could cause variances of  $\pm 5$ mm.



# Toilet brush holder ROUND

Tranquillity Round Accessories

Product code: **BA10-11/ BA10-11 Black/ BA10-11 BSS**

Dimensions: 140(w) x 38(h) x 120(d) mm

## Features

Guaranteed for 5 years against manufacturing defects • Easily installed into new or existing bathrooms.



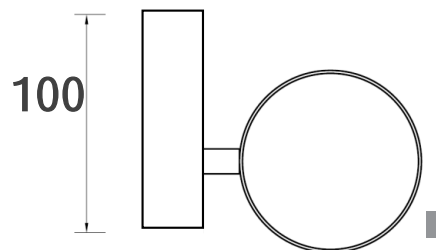
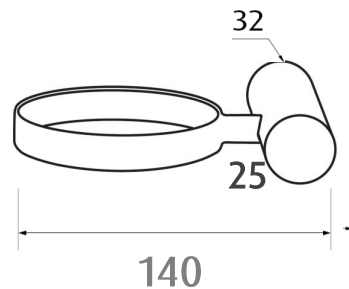
**Polished** STAINLESS STEEL  
Code: BA10-11



**Jaguar Black** STAINLESS STEEL  
WITH MATT BLACK FINISH  
Code: BA10-11 Black



**Brushed** STAINLESS STEEL  
WITH BRUSHED FINISH  
Code: BA10-11 BSS



Note: Manufacturing tolerances could cause variances of  $\pm 5$ mm.



# Toughened glass shelf ROUND

Tranquillity Round Accessories

Product code: **BA10-13 450/ BA10-13 600**

Dimensions: 100(w) x 10(h) x 450(d) mm

tranquillity  
bathroomware

## Features

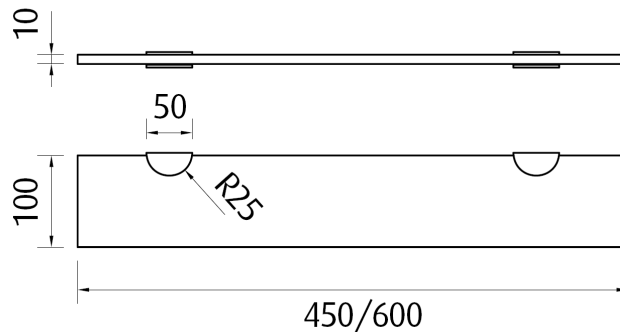
Guaranteed for 5 years against manufacturing defects • Easily installed into new or existing bathrooms.



Code: BA10-13 450



Code: BA10-13 600



Note: Manufacturing tolerances could cause variances of  $\pm 5$ mm.



## Single Towel rail ROUND

Tranquillity Round Accessories

Product code: BA10-8 300/ BA10-8 300 Black

**BA10-8 300 BSS**

Dimensions: 100(w) x 31.8(h) x 370(l) mm

tranquillity  
bathroomware

### Features

Guaranteed for 5 years against manufacturing defects • Easily installed into new or existing bathrooms.



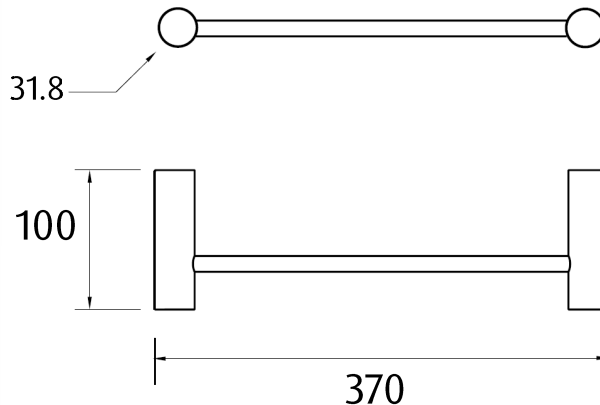
**Polished** STAINLESS STEEL  
Code: BA10-8 300



**Jaguar Black** STAINLESS STEEL  
WITH MATT BLACK FINISH  
Code: BA10-8 300 Black



**Brushed** STAINLESS STEEL  
WITH BRUSHED FINISH  
Code: BA10-8 300 BSS



Note: Manufacturing tolerances could cause variances of  $\pm 5$ mm.



## Single Towel rail ROUND 670mm

Tranquillity Round Accessories

Product code: **BA10-8 600/ BA10-8 600 Black**

**BA10-8 600 BSS**

Dimensions: 100(w) x 31.8(h) x 670(l) mm

tranquillity  
bathroomware

### Features

Guaranteed for 5 years against manufacturing defects • Easily installed into new or existing bathrooms.



**Polished** STAINLESS STEEL

Code: BA10-8 600



**Jaguar Black** STAINLESS STEEL

WITH MATT BLACK FINISH

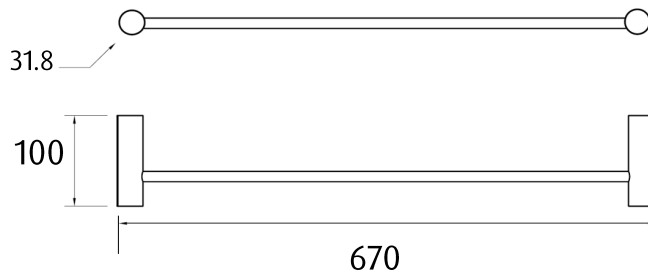
Code: BA10-8 600 Black



**Brushed** STAINLESS STEEL

WITH BRUSHED FINISH

Code: BA10-8 600 BSS



Note: Manufacturing tolerances could cause variances of  $\pm 5$ mm.



5  
YEAR  
WARRANTY

## Corner shelf ROUND

Tranquillity Round Accessories

tranquillity  
bathroomware

Product code: **BA10-13 200**

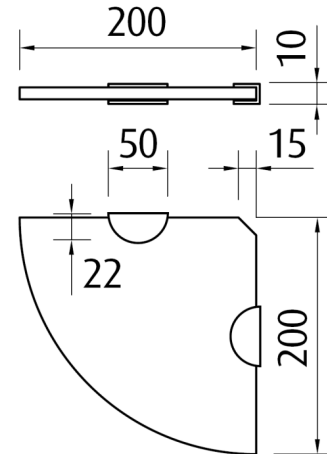
Dimensions: 200(w) x 10(h) x 200(d) mm

### Features

Guaranteed for 5 years against manufacturing defects • Easily installed into new or existing bathrooms.



**Polished** STAINLESS STEEL  
Code: BA10-13 200



Note: Manufacturing tolerances could cause variances of  $\pm 5$ mm.



5  
YEAR  
WARRANTY



# Towel holder ROUND

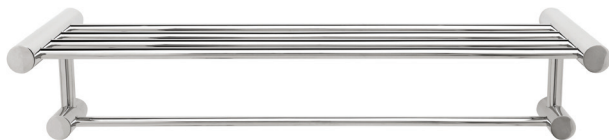
Tranquillity Round Accessories

Product code: **BA10-6**

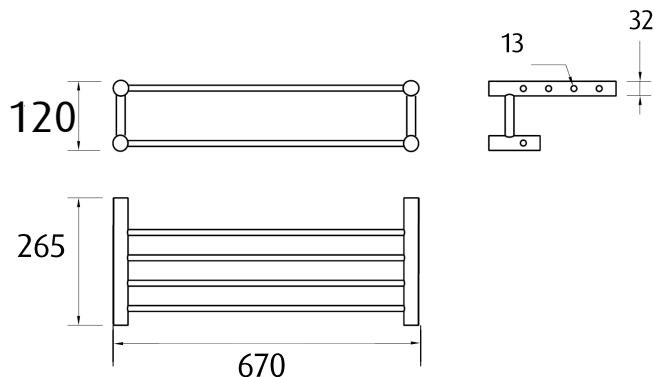
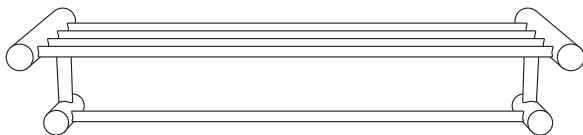
Dimensions: 265(d) x 120(h) x 670(l) mm

## Features

Guaranteed for 5 years against manufacturing defects • Easily installed into new or existing bathrooms.



**Polished** STAINLESS STEEL  
Code: BA10-6



Note: Manufacturing tolerances could cause variances of  $\pm 5$ mm.



# Double towel rail ROUND

Tranquillity Round Accessories

Product code: **BA10-9**

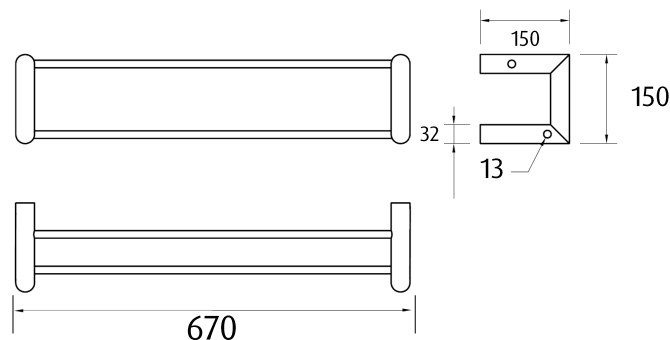
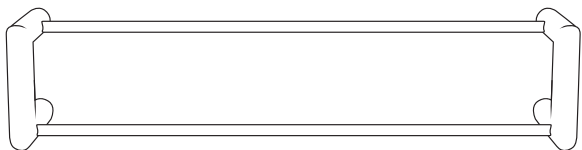
Dimensions: 150(d) x 150(h) x 670(l) mm

## Features

Guaranteed for 5 years against manufacturing defects • Easily installed into new or existing bathrooms.



**Polished** STAINLESS STEEL  
Code: BA10-9



Note: Manufacturing tolerances could cause variances of  $\pm 5$ mm.

