

Mercer

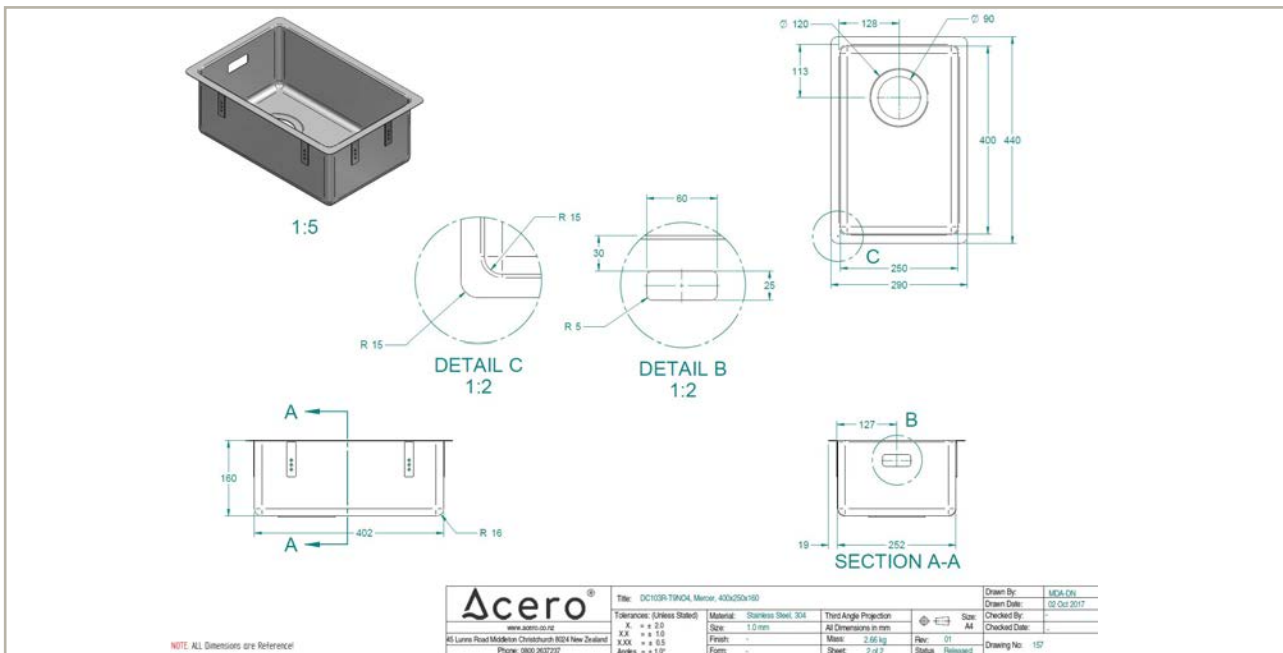
DC103 SINGLE BOWL

The Mercer DC103 stainless steel sinks are manufactured in NZ.

The DC103 Single Bowl has a 15mm corner radius and comes with a 90mm round basket waste and 15l/m overflow as standard.

A seamless pressed bowl with a modern look, the Mercer DC Sink is a contemporary addition to any project.

There are a range of matching accessories available for the DC103 including a NZ wood food board and colander.



SPECIFICATIONS

Code: DC103

Type: Top mount, Undermount, Weld in

Bowl size: 250 x 400 x 160mm

Overall size: 290 x 440 x 160mm

Material: 304 Stainless steel

Finish: Silk

FEATURES

90mm round basket waste

Overflow 15l/m capacity

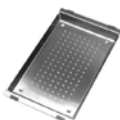
20mm Flat flange

15mm Corner radius

ASSOCIATED PRODUCTS



AD024
Dishrack



AC050
Colander



AF143
Chopping Board