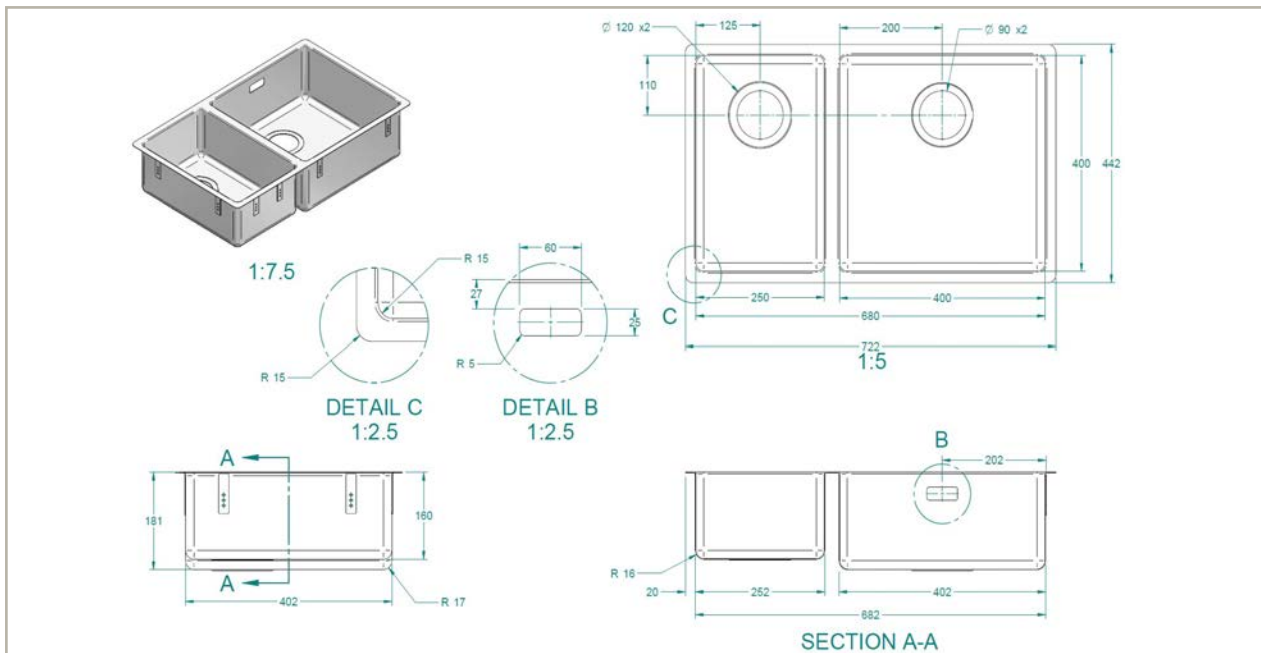


The Mercer DC202 stainless steel sinks are manufactured in NZ.

The DC202 Double Bowl has a 15mm corner radius and comes with a 90mm round basket waste and 15l/m overflow as standard.

A seamless pressed bowl with a modern look, the Mercer DC Sink is a contemporary addition to any project.

There are a range of matching accessories available for the DC202 including a NZ wood food board and colander. A right hand option is also available.



SPECIFICATIONS

Code: DC202L

Type: Top mount, Undermount, Weld in

Bowl size: 400 x 400 x 180 + 250 x 400 x 160mm with 30mm bridge

Bowl configuration: Bowl & 1/2

Overall size: 720 x 440 x 180mm

Material: 304 Stainless steel

FEATURES

2 x 90mm round basket waste

Overflow 15l/m capacity

20mm Flat flange

15mm Corner radius

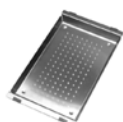
Silk Finish

Small bowl on the left

ASSOCIATED PRODUCTS



AD024
Dishrack



AC050
Colander



AF143
Chopping Board