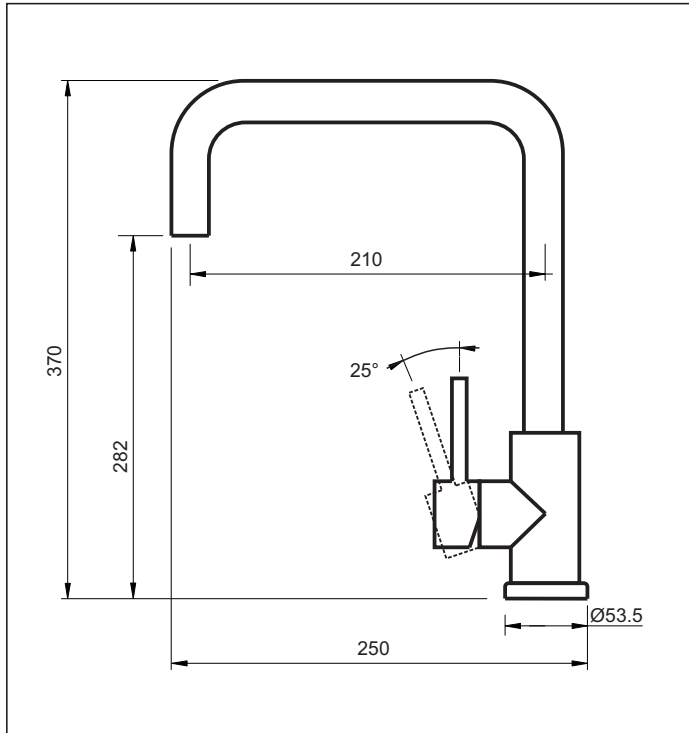


# Deluna

## Sink Mixer D Spout



**Code: DE SM DSPOUT SS**

**Finish:** Stainless Steel Brushed

**Spout:** Swivel 360°

**Water Outlet:** M24 ring with Standard Insert

**Stainless Steel Inlet Hoses:** Size: M10 x 1/2" BSP

**Mounting Hardware:** 34mm brass tube and backnut with 2x locking screws

**Installation Hole Diameter:**

Minimum: 34 mm

Maximum: 44mm

Max bench thickness: 40mm

**Cartridge:** Kerox 35K Flatbase

**Flow:** 8 l/min PCA fitted for regulated flow with mains pressure system

Max hot @ 35 kPa = 4.9 l/min

aquatica



KIWI OWNED COMPANY

NZ

• DESIGNED  
• ASSEMBLED  
• TESTED



**Aquatica NZ Limited**

9 Saunders Place,  
Avondale, Auckland.

Tel: 09-828 2068,

Fax: 09-828 2069

Email: [info@aquatica.co.nz](mailto:info@aquatica.co.nz)

or visit our website:

[www.aquatica.co.nz](http://www.aquatica.co.nz)

© copyright Aquatica 2019



### Suitable for mains pressure only

Recommended Operational Pressure Range: 150 - 600 kPa

Maximum Operating Temp: 80°C Never to Exceed: 1000 kPa

**Please note:** Specifications are subject to change without notice. It is the responsibility of the installer to check the measurements of the physical product before installation