

INSTALLATION INSTRUCTIONS



Trusted in New Zealand Since 1982

SHOWER

VALENCIA ELITE Alcove Pivot Door



Englefield has a history of making superb showers and their popularity is testament to their quality and affordability.

It's the details that Englefield cares about - from pioneering the latest technology, to innovative design, it's all to make your showering experience the very best it can be.



Note: Tapware and accessories not included.

BEFORE YOU BEGIN

Before installing the shower please read these instructions carefully to familiarise yourself with the required tools, materials and installation sequences. Please leave these instructions for the consumer after installation. Refer to the separate care and maintenance guide for important care and cleaning information.

Ensure that the shower tray and wall, if applicable, are completely finished prior to installing your shower door and return. Follow all warnings, cautions and instructions contained in this guide.



SAFETY

1. ENGLEFIELD strongly recommends that a minimum of TWO persons install this enclosure due to the weight of the door panels.
2. Toughened safety glass cannot be cut. Risk of injury or product damage.
3. Wear protective footwear when lifting panels.
4. Wear safety glasses when drilling.

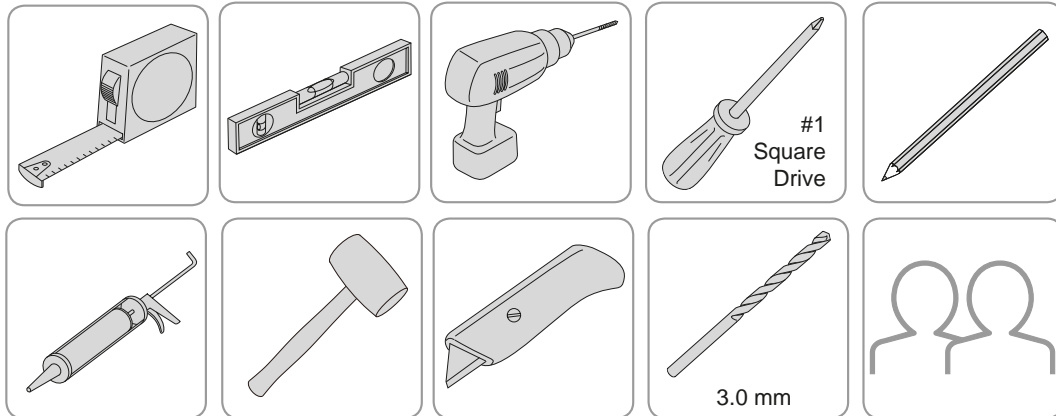


ATTENTION

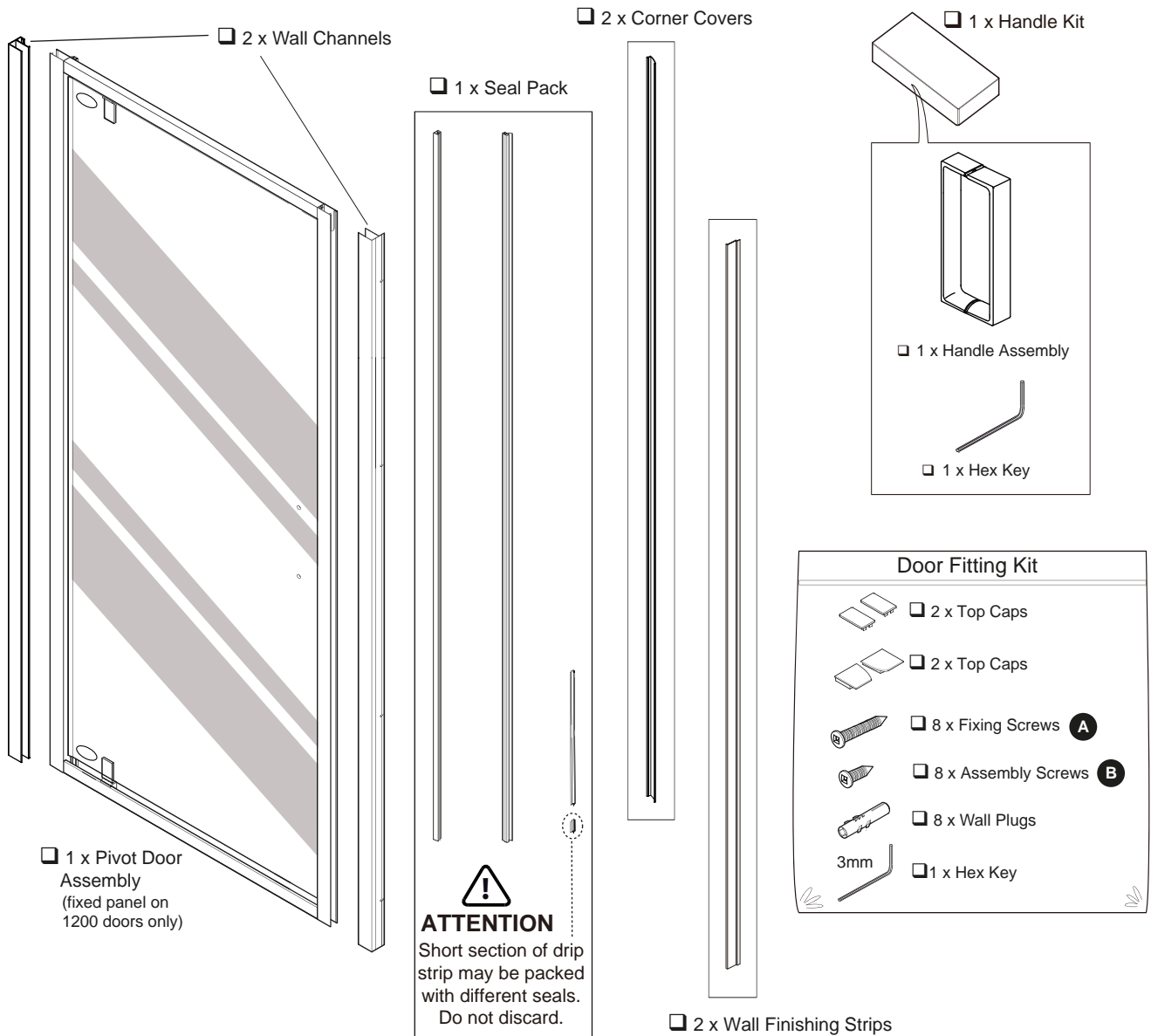
1. The wall retainers must be installed onto a waterproof, vertical and flat wall surface. Failure to do so will result in an unsatisfactory seal, which may cause property damage. The wall inclination (out of squareness) is recommended to be out by no more than **+/- 4mm/m**.
2. Please install this door onto an ENGLEFIELD Quick - Fit® shower tray only, unless unless installing directly onto tiled walls and floor.
3. Care must be taken when drilling into walls and floors to avoid any hidden pipes or wires.
4. It is the responsibility of the INSTALLER to ensure that the installation complies with council and or local authority bylaws.

Instructions, drawings, and diagrams contained in this manual present information available at the time of printing. Although every attempt has been made to keep them up-to-date, Englefield reserves the right to implement product changes without further notice.

TOOLS AND MATERIALS REQUIRED



PARTS IDENTIFICATION



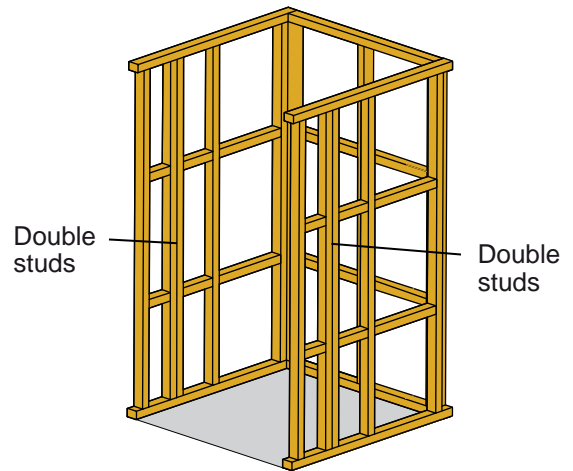
CONSTRUCTION REQUIREMENTS

Wall Framing



ATTENTION

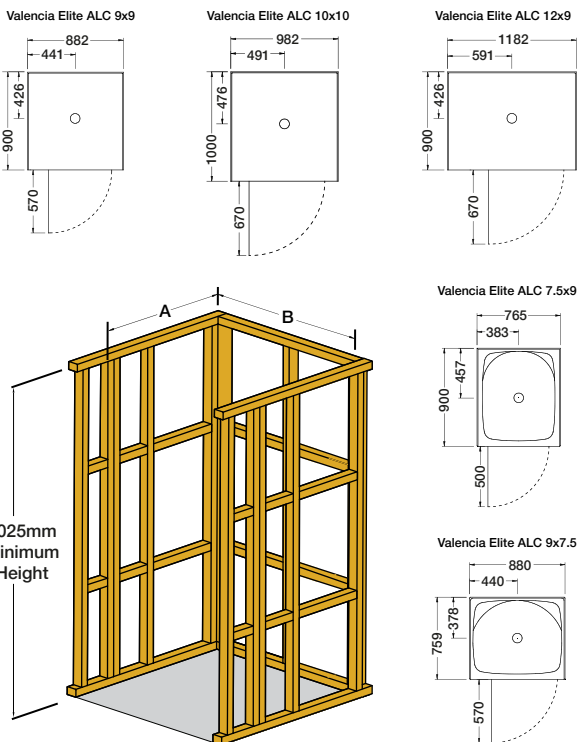
Due to the weight of the glass panels Englefield strongly recommends fixing the wall retainers to double studs for all installation types (as shown).



For acrylic tray with acrylic or tiled wall

Size	Dim 'A'	Dim 'B' ⁺² ₋₀
750 x 900	900	767
900 x 750	759	882
900 x 900	900	884
1000 x 1000	1000	984
1200 x 900	900	1184

NOTE: This setup allows for the use of standard 10mm wall board. A thicker wall board could make the recess too narrow for the door system.

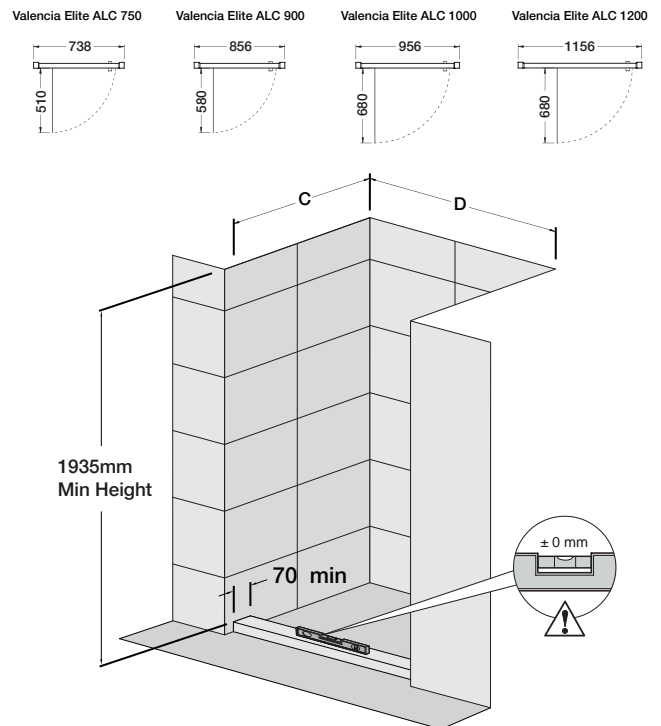


For tile floor and tile wall - Finished surfaces

Size	Dim 'C'	Dim 'D' ⁺⁵ ₋₀
750	N/A	738
900	N/A	856
1000	N/A	956
1200	N/A	1156

Finished /tiled hob to be:

- 1) Minimum 70mm wide.
- 2) 1-2° fall front to back is acceptable.
- 3) Level (+/-0mm) left or right.



INSTALLATION - Options

OPTION 1 - Acrylic Wall & Tray

Tray: For tray installation refer to the instructions supplied with the tray.

Wall: For wall installation refer to the instructions supplied with the wall.

- Proceed to Door Installation.

OPTION 2 - Tiled Wall & Acrylic Tray

Tray: For tray installation please refer to the instructions supplied with the tray.

Tiled Wall:



ATTENTION

The complete door system MUST be installed onto the waterproof membrane PRIOR TO WALL TILING.

Failure to install the complete door system before tiling may mean the door system will not fit on the shower tray due to the tile thickness.

- Proceed to Door installation.

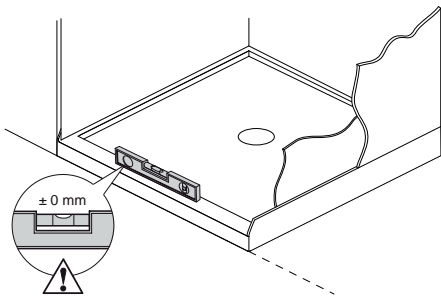
OPTION 3 - Tiled Wall & Floor

- The door and return can be installed directly onto the wall and floor tiles.

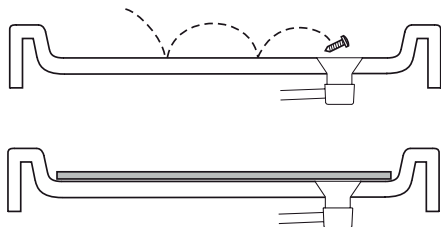
- Proceed to Door installation.

INSTALLATION

1



Caution: Ensure tray or tiled floor is level & walls are vertical & square.

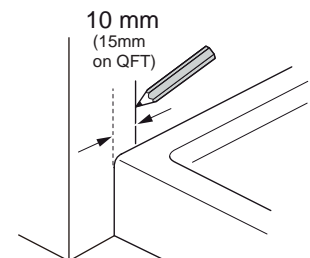
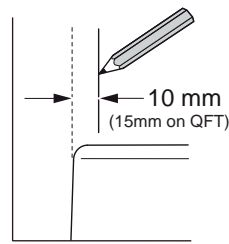


Tip: Cover the waste to prevent the loss of small parts. If installing onto a tray protect the tray surface during installation.

(a) Mark the locations of the wall retainers.

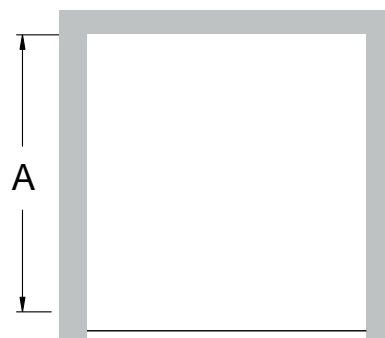
For tray base option:

- Mark 10mm in from top edge of tray.
- (Mark 15mm in on 90mm sill height Quick-Fit Trays)

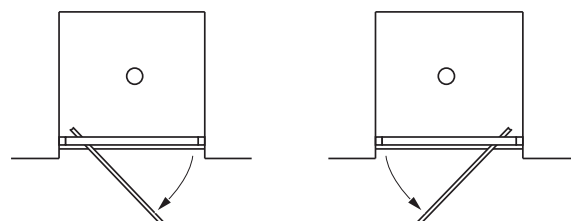


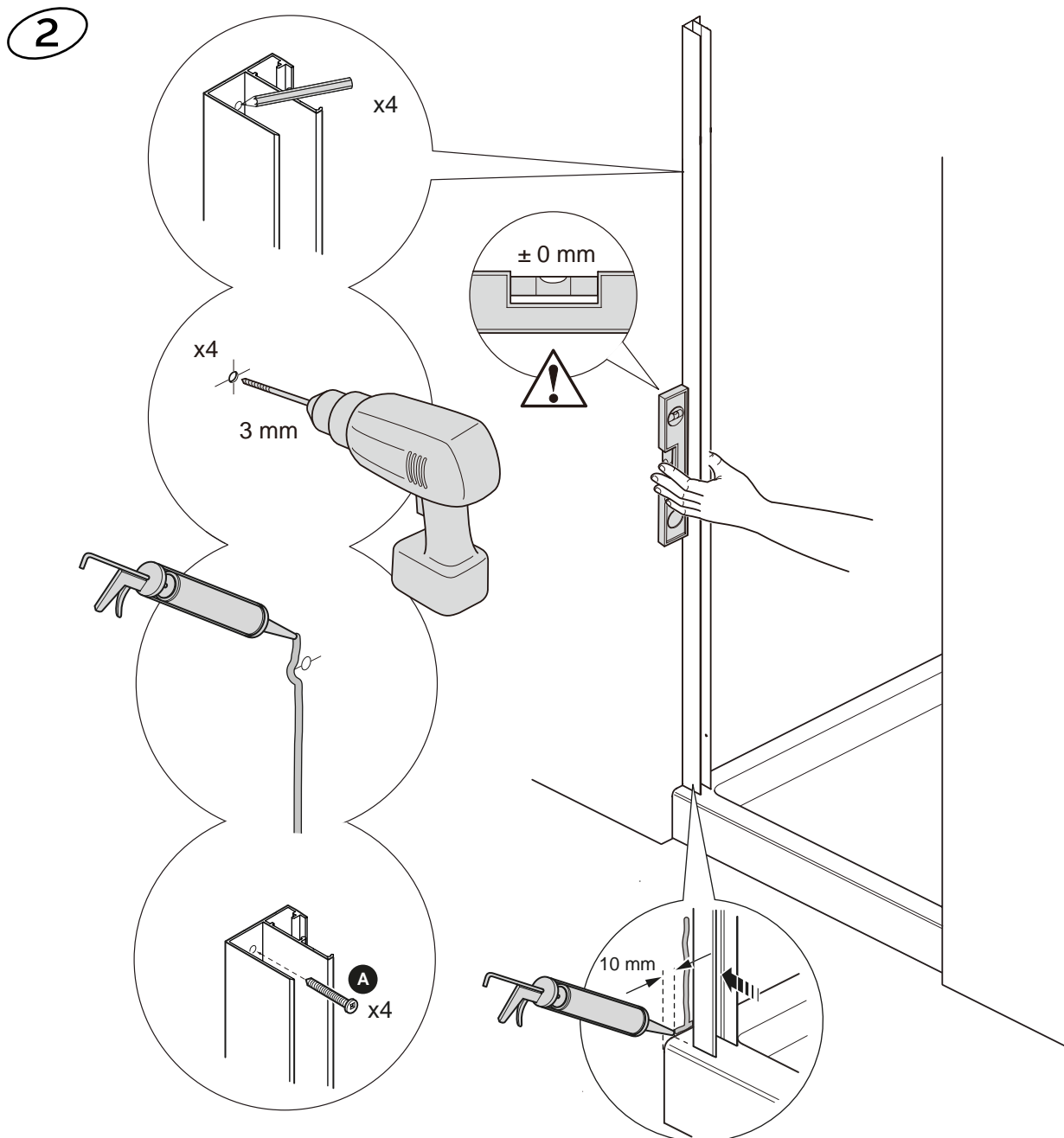
For tiled floor option:

- Mark from back wall to outer edge of both retainers with your preferred dimension 'A'.



(b) This shower is reversible. Please choose which side you would like the door to open from.



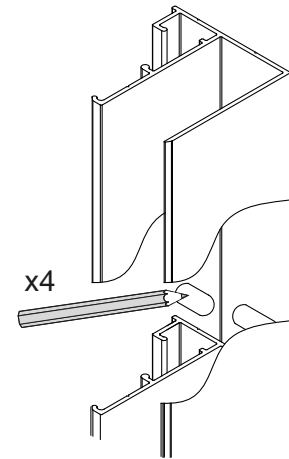


⚠ IMPORTANT! The handle side retainer must be fitted first.

- (a) Position a wall channel on the “handle side” wall. The flange with pre-drilled holes should face inside the enclosure. Using a level, make sure that the channel is upright.
- (b) Mark the position of fixing holes down the centre of the channel, then remove channel.
- (c) Drill with a 3mm bit. For other types of wall structure, alternative fixings may be required (not supplied).
- (d) Apply silicone sealant along the length of the wall and at the bottom where the wall channel will be placed, including the top of the tray.
- (e) Position the wall channel on the wall and install the fixing screws **A**.
- (f) Fully tighten the fixing screws, making sure that the wall channel remains vertical.

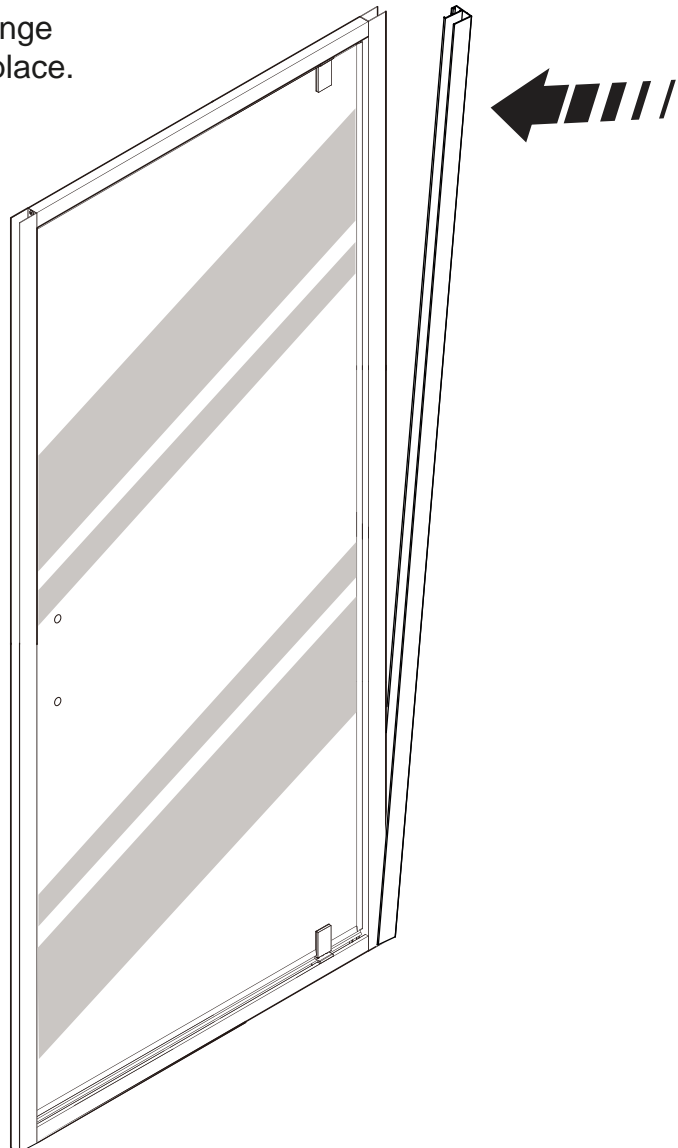
3

- (a) Place the other wall channel on the opposing wall. Use a level to ensure that it is upright.
- (b) Mark fixing hole positions down the **inner flange** of the channel, then remove the wall channel.
- (c) Drill with a 3mm bit. For other types of wall structure, alternative fixings may be required (not supplied).
- (d) Apply silicone sealant along the length of the wall and at the bottom where the wall channel will be placed, including the top of the tray.



Note! The hinge side wall channel is not fitted at this stage.

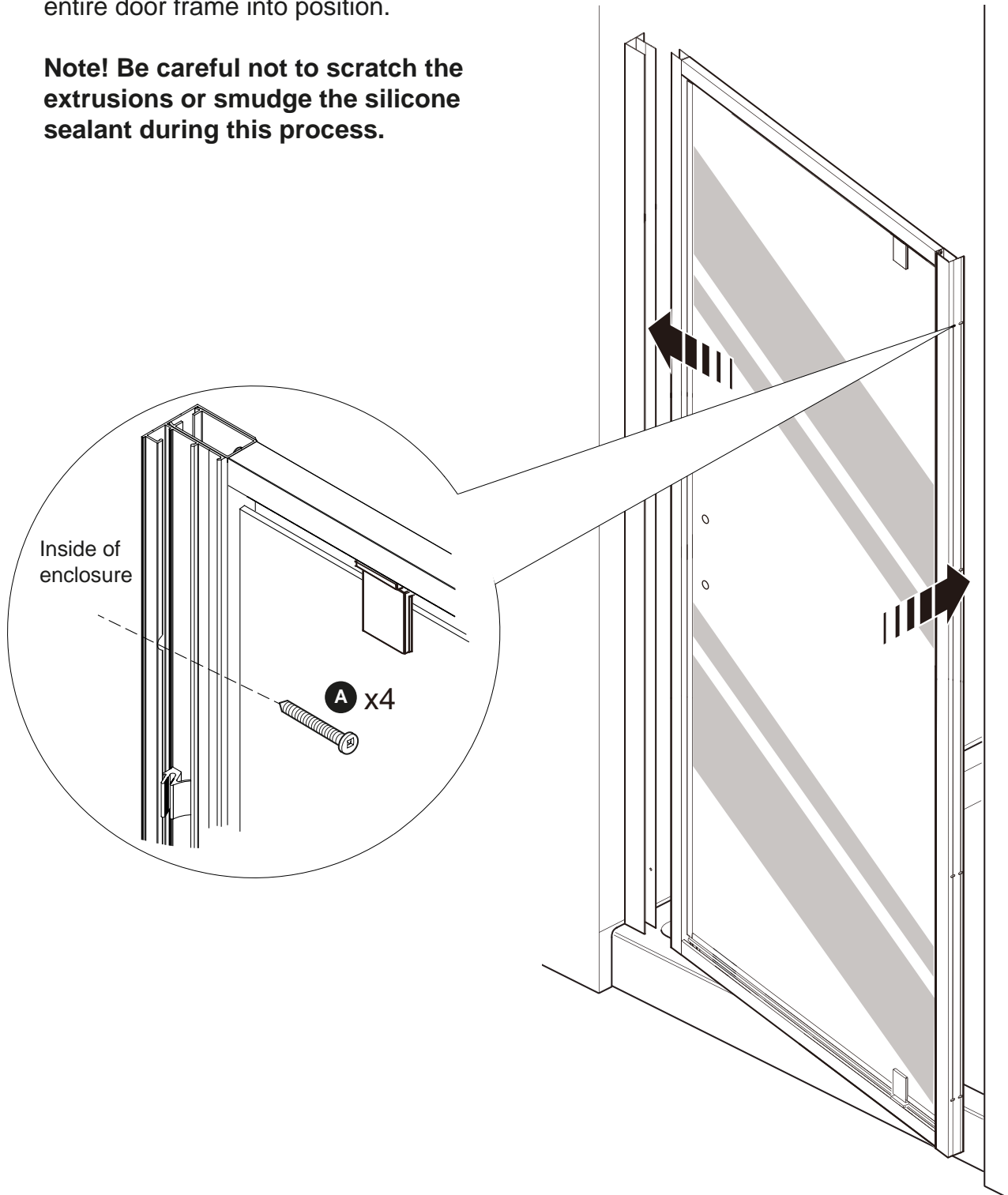
- (e) Fit the free wall channel onto the hinge side of door assembly and hold in place.



4

- (a) Slot the door assembly into the pre-installed (handle side) wall channel, and swing the entire door frame into position.

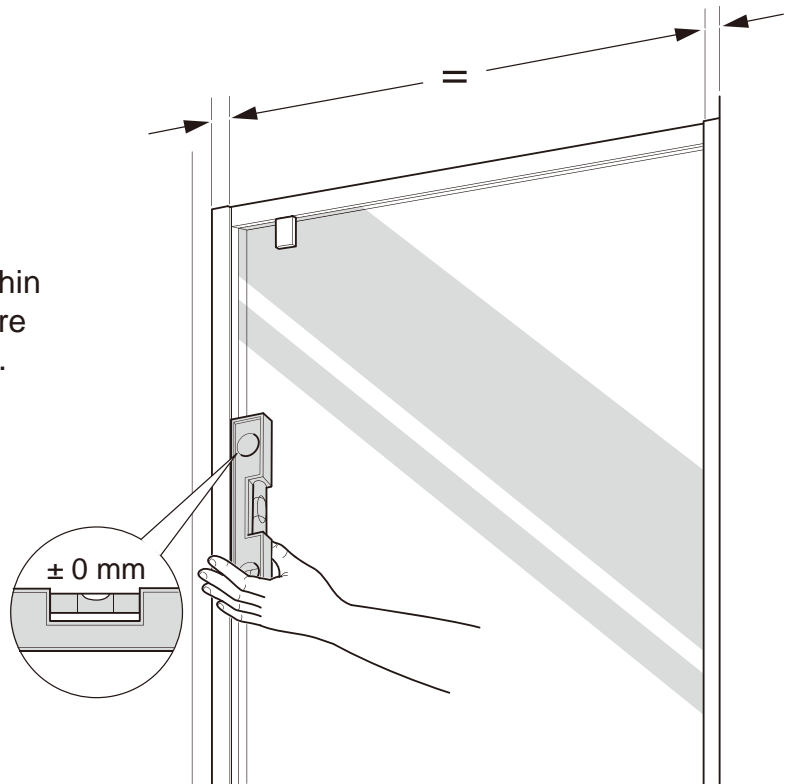
Note! Be careful not to scratch the extrusions or smudge the silicone sealant during this process.



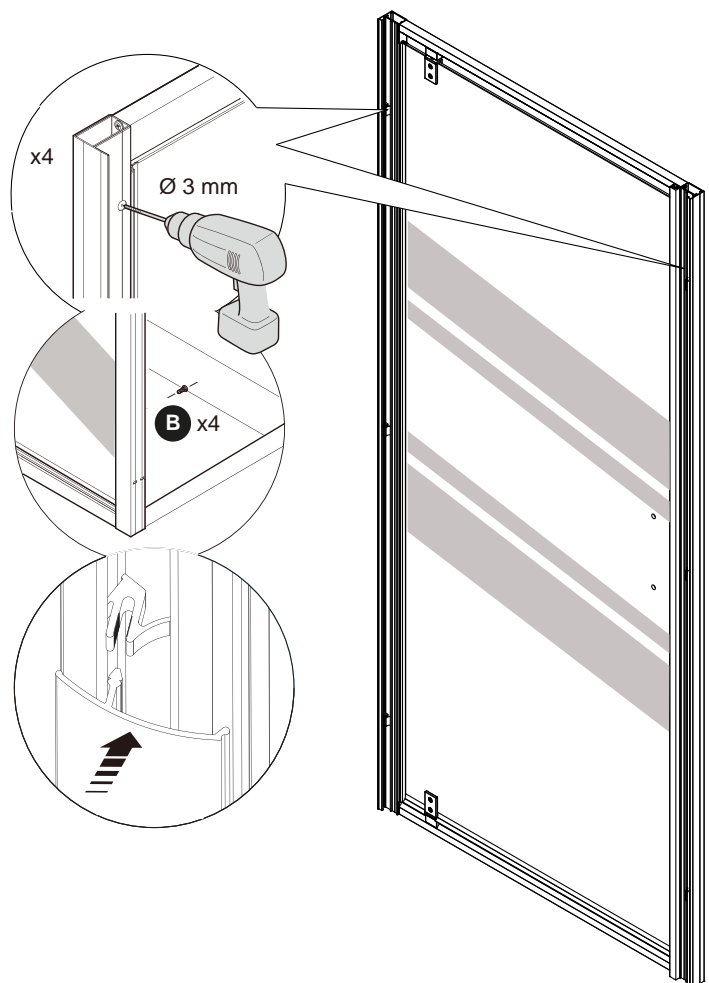
- (b) With the wall channel in position, insert the fixing screws **A** into the pre-drilled holes.
- (c) Use a level to ensure the channel is kept upright, then fully tighten the fixing screws.
- (d) Remove any excess silicone sealant from inside the shower enclosure.

5

- (a) Centralise the door frame within the wall channels, making sure that the door frame is square.



- (b) From the inside of the enclosure, drill four holes in the door frame through the centre marked points on the wall channel with a 3mm HSS drill (not supplied).
- (c) Install and tighten the wall channel assembly screws **B**.
- (d) Repeat the process for the other wall channel.
- (e) Fit the corner covers to the wall channels. They should 'snap' into place.

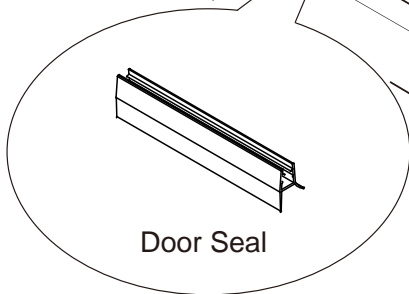


6^a

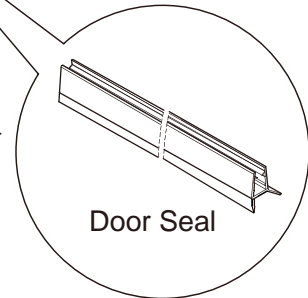
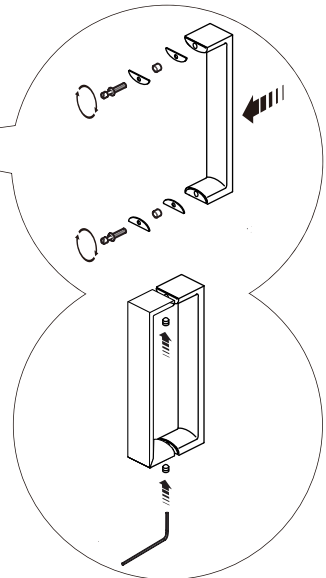

 750 DOORS
 900 DOORS
 1000 DOORS
 [for 1200 doors
 see page 11]



Vertical Door Seal



Door Seal

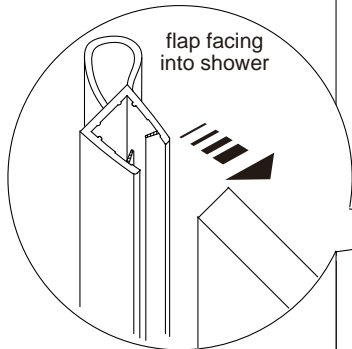


Door Seal

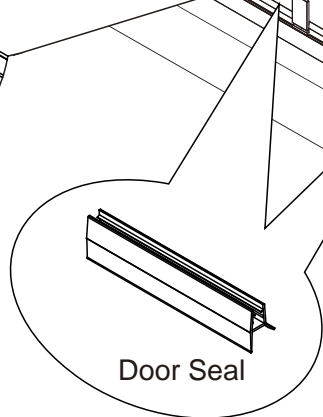
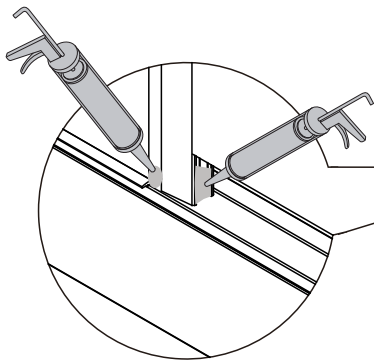
- (a) Install the door seals onto the door.
- (b) Install the door handle, ensuring that the grub screws are on the underside.

6^b


1200 DOORS
 [for 750,900,1000
 doors see page 10]



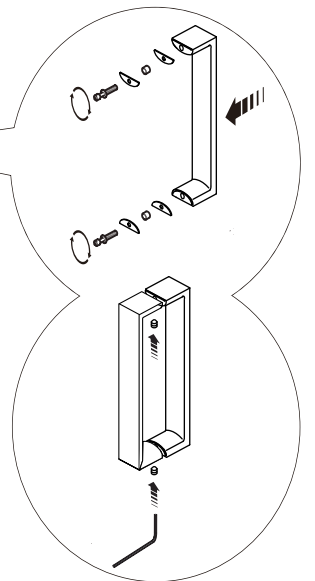
Vertical Door Seal



Door Seal

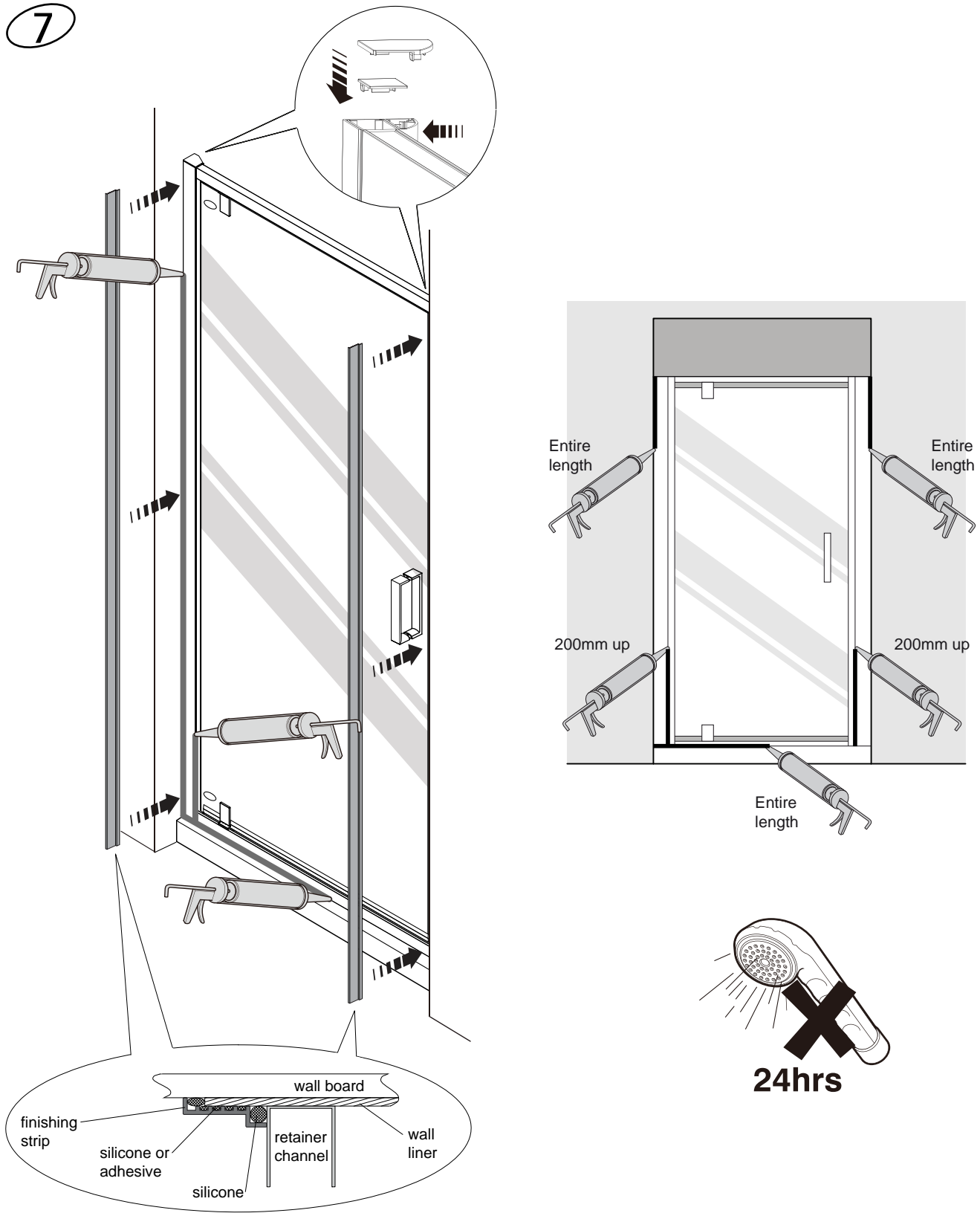
Magnetic Strip

Door Seal



- (a) Install the door seals onto the door.
- (b) Apply silicone to the seal and fixed panel where they meet the bottom rail.
- (c) Install the door handle, ensuring that the grub screws are on the underside.

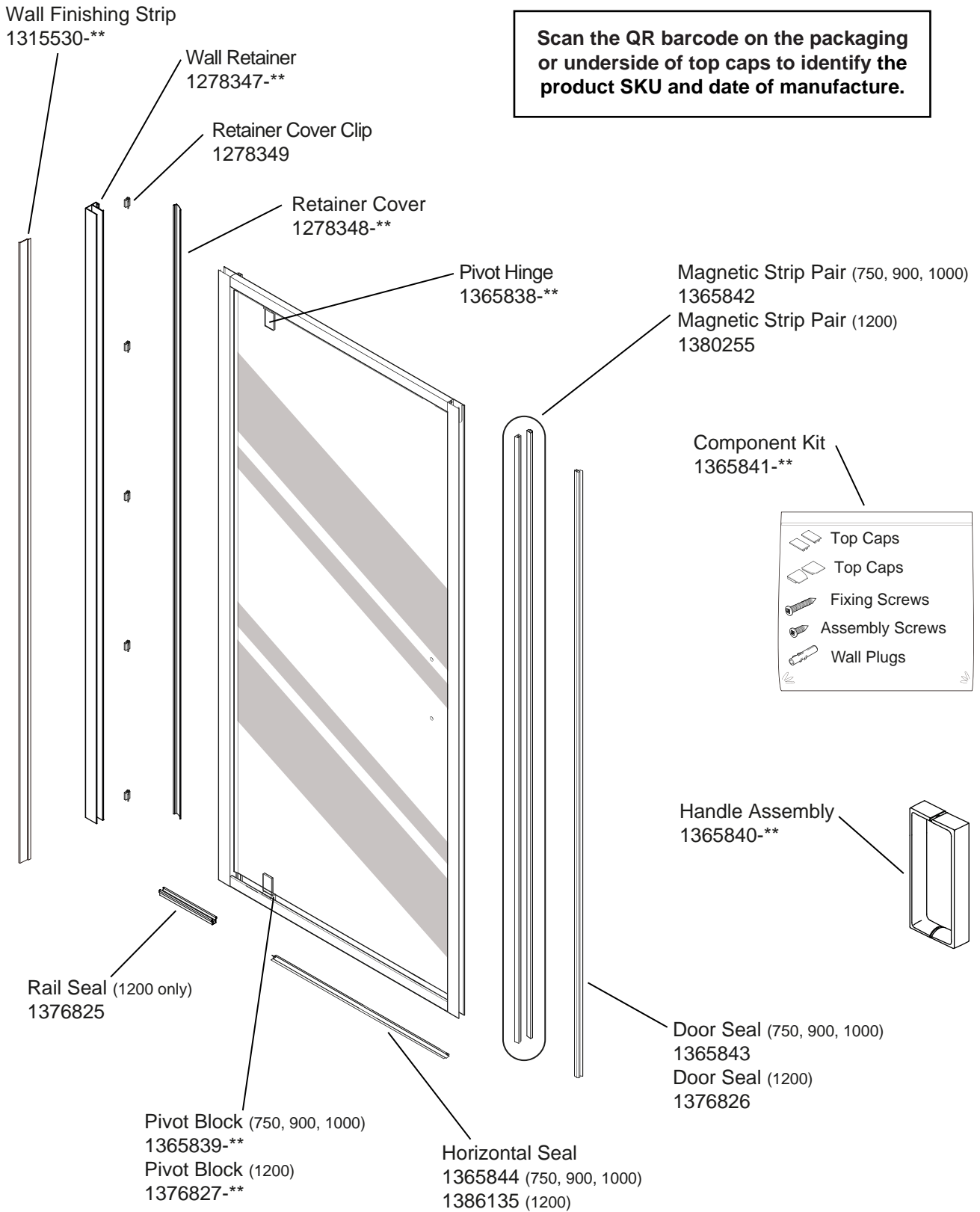
7



- (a) Fit the caps to the top of the extrusions. Add silicone or modify caps to fit if required.
- (b) Apply sealant along the outside surfaces of the enclosure. Do not seal from inside.
- (c) Install the wall finishing strips, if desired.
- (d) Allow the silicone sealant to cure for 24 hours before use.

Installation complete.

SPARE PARTS



Scan the QR barcode on the packaging or underside of top caps to identify the product SKU and date of manufacture.

** Colour code must be specified when ordering

CLEANING AND MAINTENANCE INSTRUCTIONS

Please refer to our website for cleaning instructions.

CONTACT AND WARRANTY INFORMATION

NEW ZEALAND
KOHLER NZ LTD

Free Ph: 0800 100 382
Free Fax: 0800 664 488
www.inglefield.co.nz

AUSTRALIA
KOHLER AUSTRALIA

Free Ph: 1 800 ENGLEFIELD
(1 800 364 533)
www.inglefield.com

For warranty information, please visit our website.



Trusted in New Zealand Since 1982