

INSTALLATION INSTRUCTIONS



SHOWER

VALENCIA ELITE Angle Corner Pivot



Englefield has a history of making superb showers and their popularity is testament to their quality and affordability.

It's the details that Englefield cares about - from pioneering the latest technology, to innovative design, it's all to make your showering experience the very best it can be.



Note: Tapware and accessories not included.

BEFORE YOU BEGIN

Before installing the shower please read these instructions carefully to familiarise yourself with the required tools, materials and installation sequences. Please leave these instructions for the consumer after installation. Refer to the separate care and maintenance guide for important care and cleaning information.

Ensure that the shower tray and wall, if applicable, are completely finished prior to installing your shower door and return. Follow all warnings, cautions and instructions contained in this guide.



SAFETY

1. ENGLEFIELD strongly recommends that a minimum of TWO persons install this enclosure due to the weight of the door panels.
2. Toughened safety glass cannot be cut. Risk of injury or product damage.
3. Wear protective footwear when lifting panels.
4. Wear safety glasses when drilling.

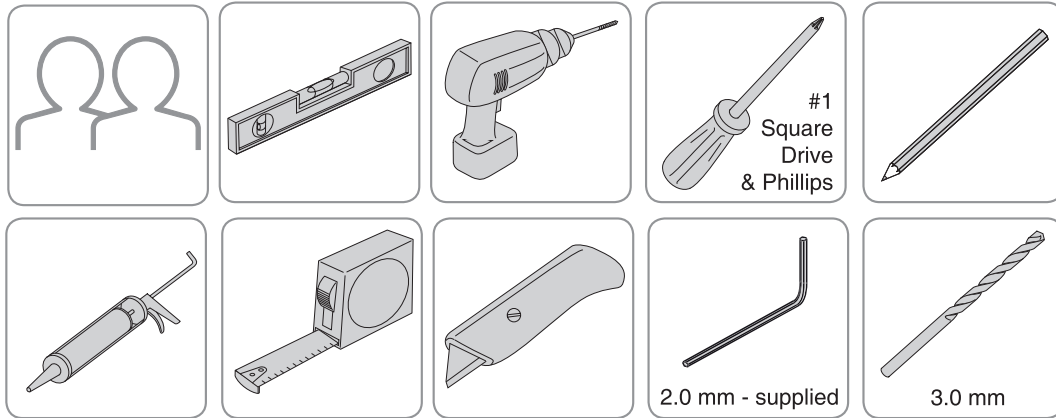


ATTENTION

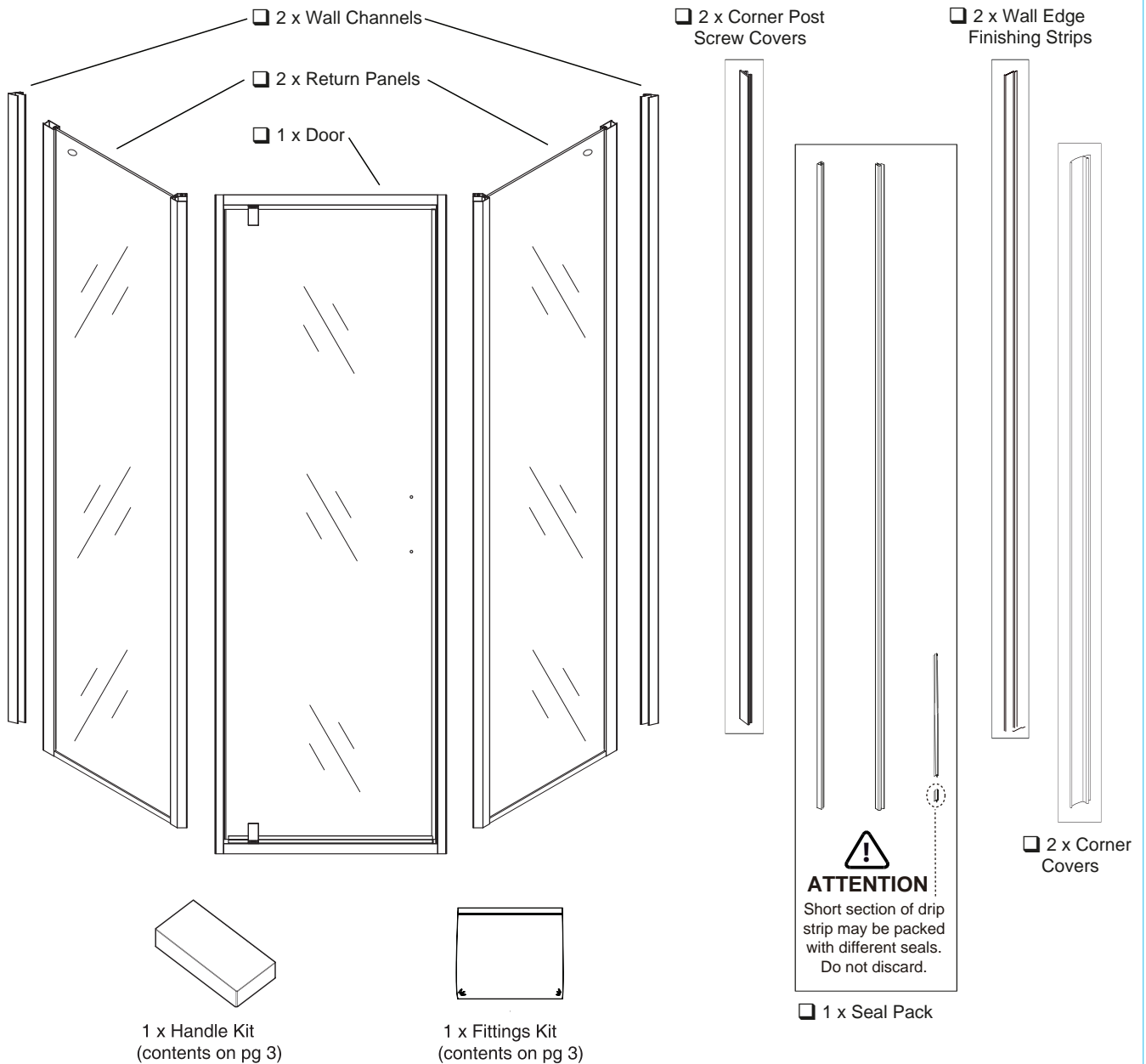
1. The wall retainers must be installed onto a waterproof, vertical and flat wall surface. Failure to do so will result in an unsatisfactory seal, which may cause property damage. The wall inclination (out of squareness) is recommended to be out by no more than **+/- 4mm/m**.
2. Please install this door onto an ENGLEFIELD Quick - Fit® shower tray only, unless installing directly onto tiled walls and floor.
3. Care must be taken when drilling into walls and floors to avoid any hidden pipes or wires.
4. It is the responsibility of the INSTALLER to ensure that the installation complies with council and or local authority bylaws.

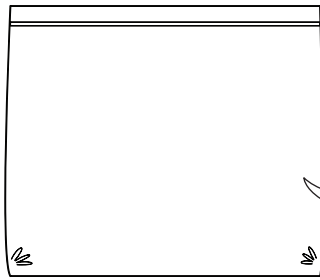
Instructions, drawings, and diagrams contained in this manual present information available at the time of printing. Although every attempt has been made to keep them up-to-date, Englefield reserves the right to implement product changes without further notice.

TOOLS AND MATERIALS REQUIRED



PARTS IDENTIFICATION

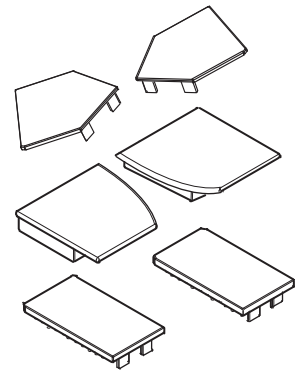




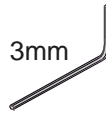
1 x Fittings Kit



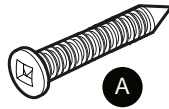
8x Wall Plugs



6x Cover Caps



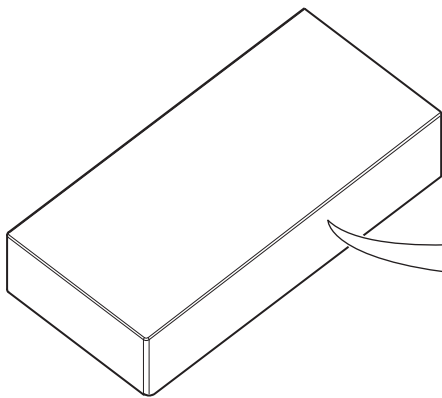
1x Hex Key



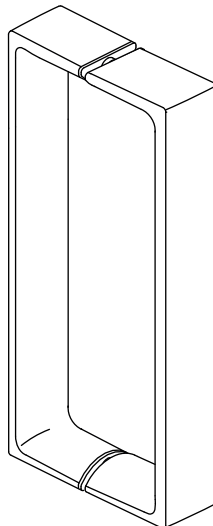
8x Fixing Screws



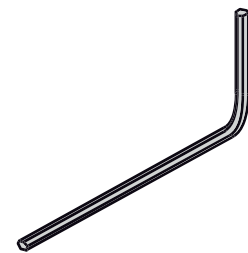
16x ST4*12 Screws



1 x Handle Kit



Handle Assembly



Hex Key

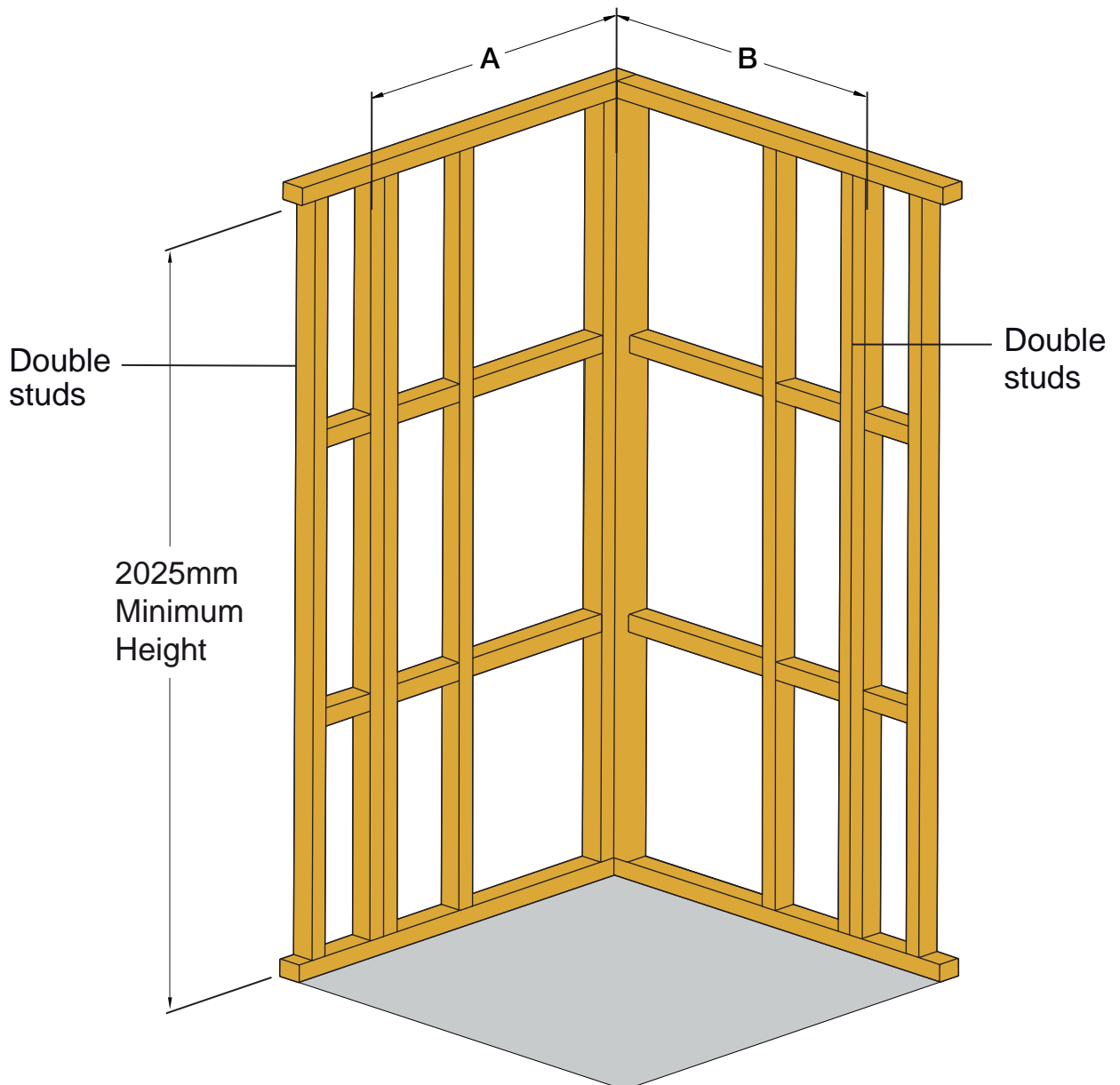
CONSTRUCTION REQUIREMENTS



ATTENTION

Due to the weight of the glass panels Englefield strongly recommends constructing double studs (as below) to fix the wall retainers to.

Size	Dim 'A'	Dim 'B'
900 x 900	900	900
1000 x 1000	1000	1000



INSTALLATION - Options

OPTION 1 - Acrylic Wall & Tray

Tray: For tray installation refer to the instructions supplied with the tray.

Wall: For wall installation refer to the instructions supplied with the wall.

- Proceed to Door and Return Installation.

OPTION 2 - Tiled Wall & Acrylic Tray

Tray: For tray installation please refer to the instructions supplied with the tray.

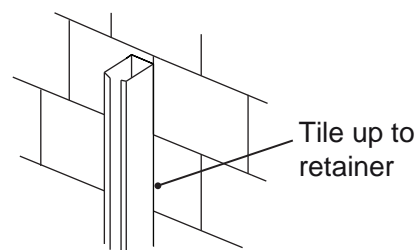
Wall:

- The vertical wall retainers **MUST** be installed onto the waterproof membrane **PRIOR TO WALL TILING**. If possible the complete door system should be installed onto the waterproof membrane prior to wall tiling.

CAUTION: Failure to install the wall retainers first may mean the door system may not fit on the shower tray due to the tile thickness.

- If not installing the complete door system prior to tiling, install the wall retainers and tiles. The retainer cover extrusion can be inserted after tiling - there is no need to leave a tiling gap. Refer to image.

- Proceed to Door and return installation.



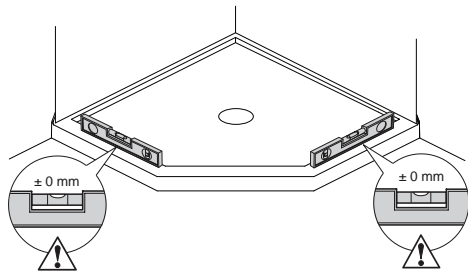
OPTION 3 - Tiled Wall & Floor

- The door and return can be installed directly onto the wall and floor tiles.

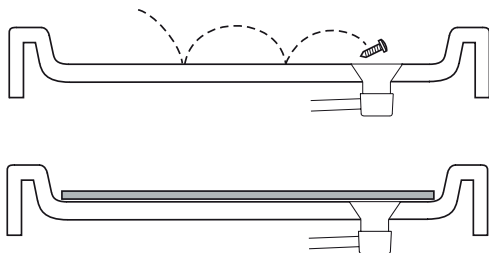
- Proceed to Door and Return Installation.

INSTALLATION

1



Caution: Ensure tray or tiled floor is level & walls are vertical & square.

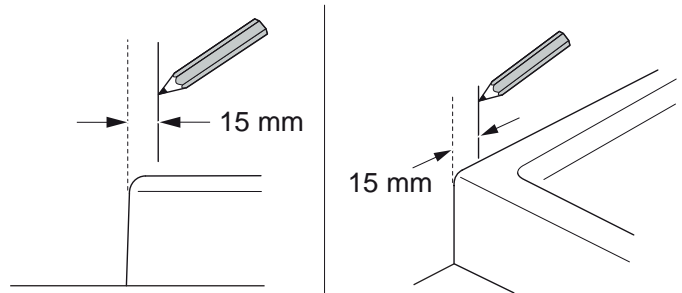


Tip: Cover the waste to prevent the loss of small parts. If installing onto a tray protect the tray surface during installation.

(a) Mark the locations of the wall retainers.

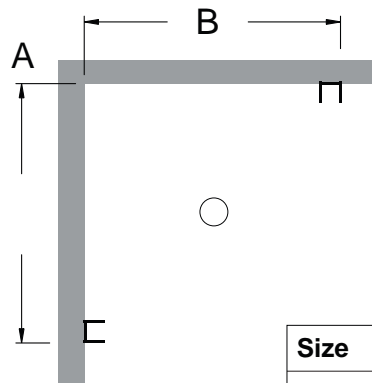
For tray base option:

- Mark 15mm in from top edge of tray.



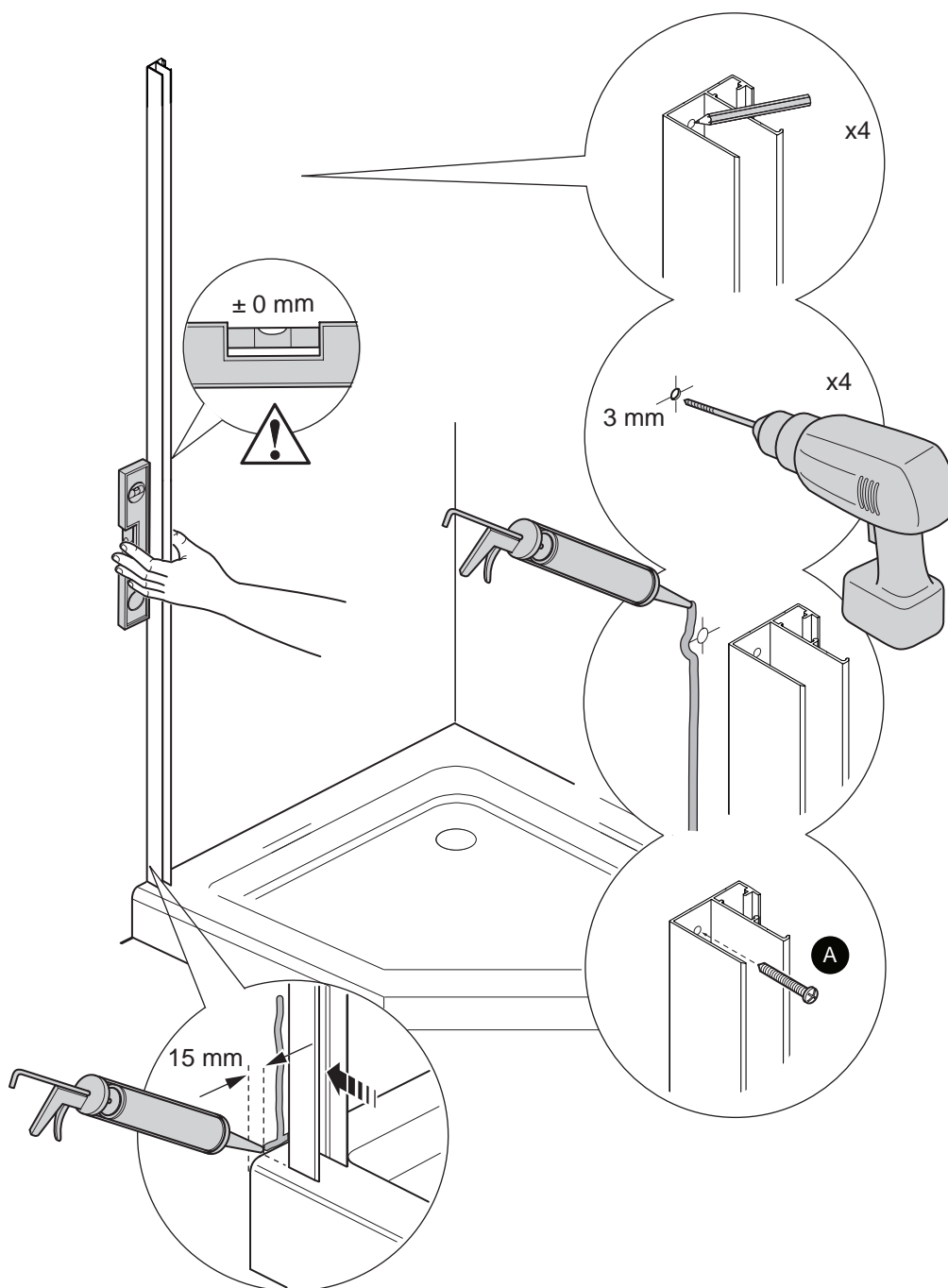
For tiled base option:

- Mark from finished wall to outer edge of retainer.



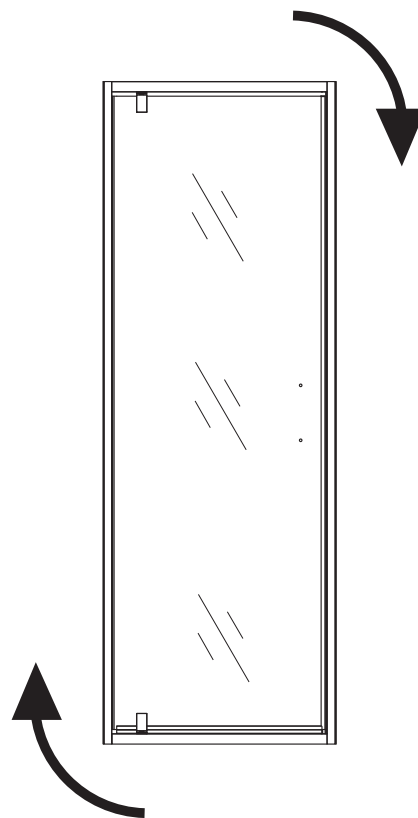
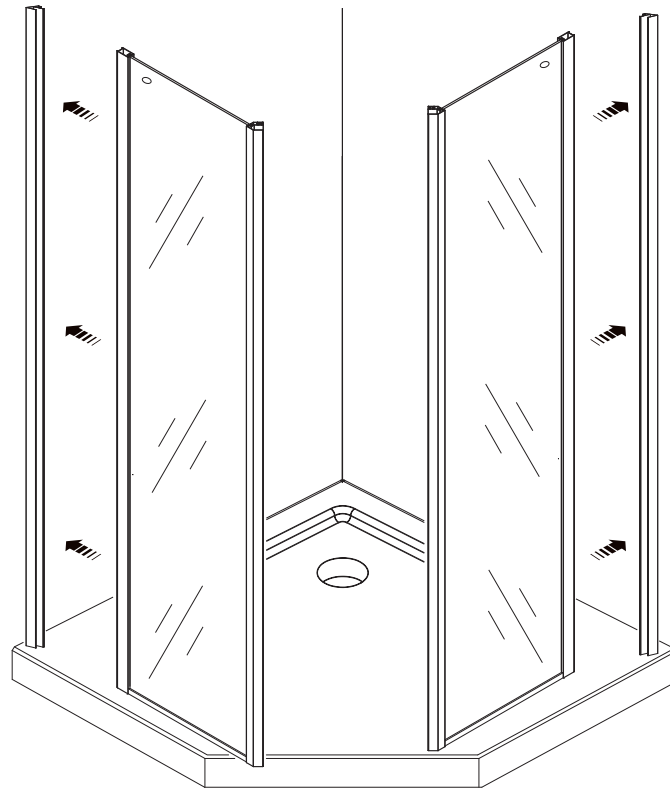
Size	A	B
900 x 900	863	863
1000 x 1000	970	970

2



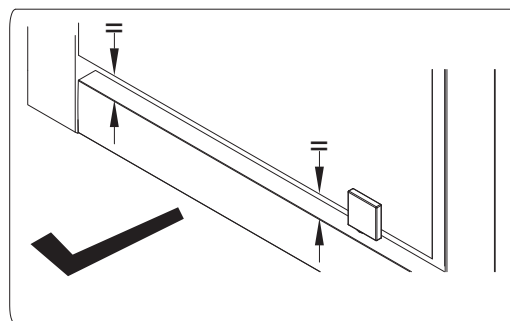
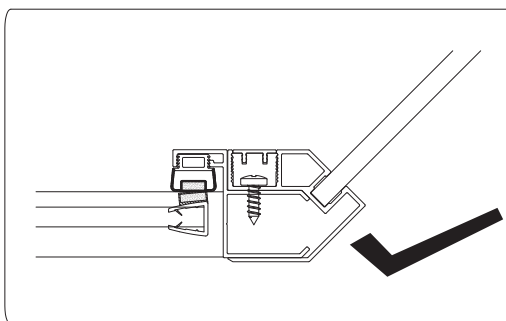
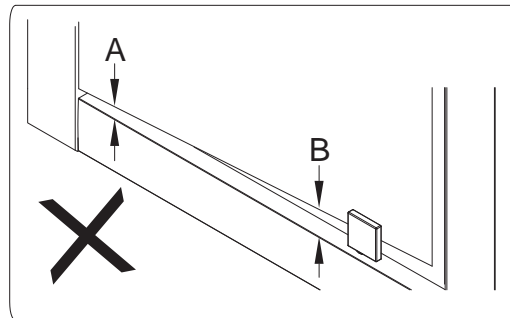
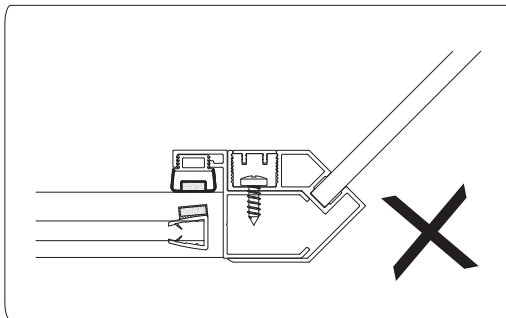
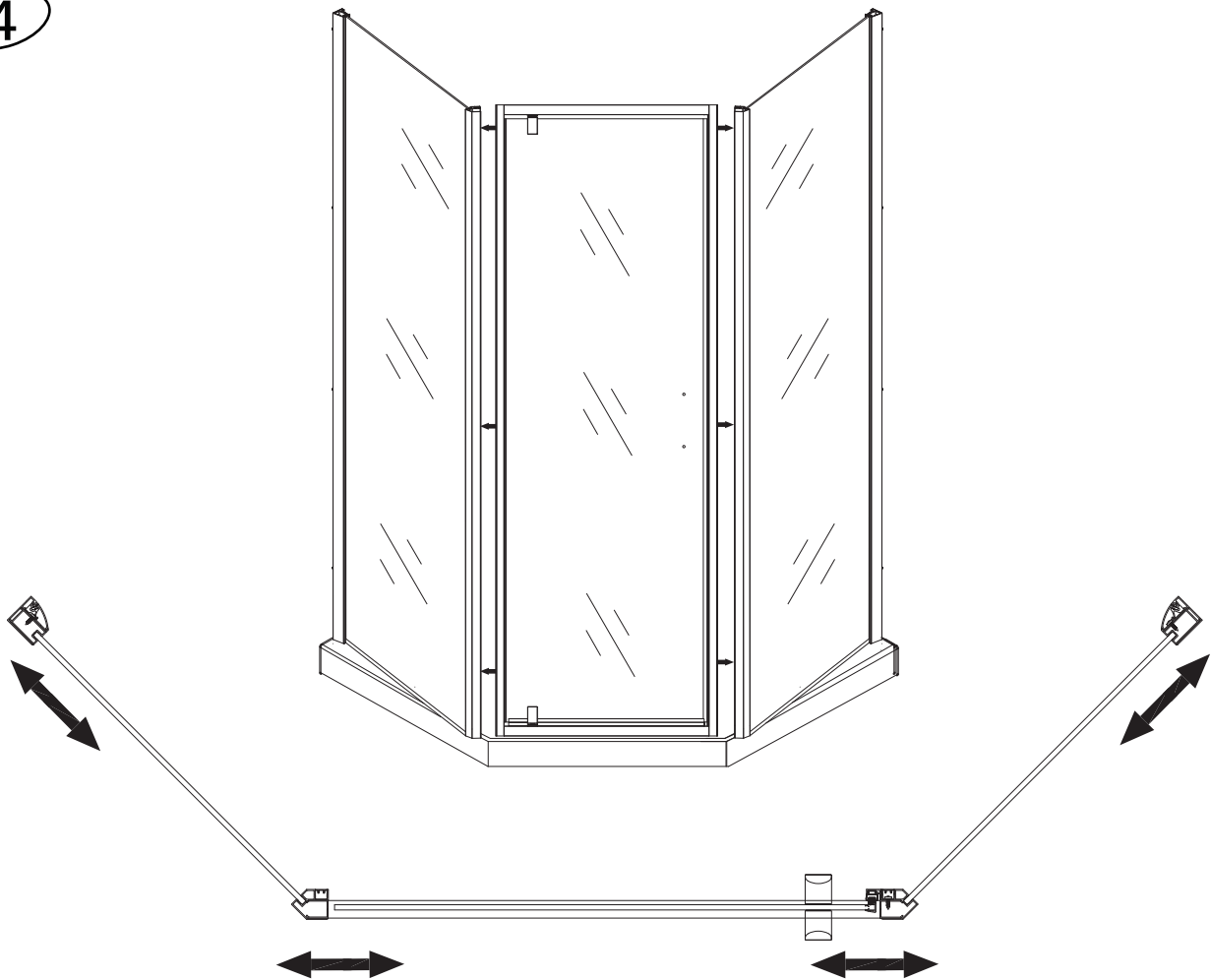
- (a) Position the wall channels on the wall. The flange with pre-drilled holes should face inside the shower enclosure. Using a level, make sure that the channel is upright.
- (b) Mark the position of the fixing holes down the centre of the channel, then remove the channel.
- (c) Drill with a 3mm bit. For other types of wall structure, alternative fixings may be required (not supplied).
- (d) Apply silicone sealant along the length of the wall and at the bottom where the wall channel will be placed, including the top of the tray.
- (e) Position the wall channels on the wall and install the fixing screws **A**.
- (f) Fully tighten the fixing screws, making sure that the wall channels are upright.
- (g) Repeat the process for the other wall channel.

3



- (a) Insert the return panels into the wall channels, ensuring that the aluminium strip is at the bottom of the glass.
- (b) Carefully rotate the door frame so that it is in the desired orientation.

4

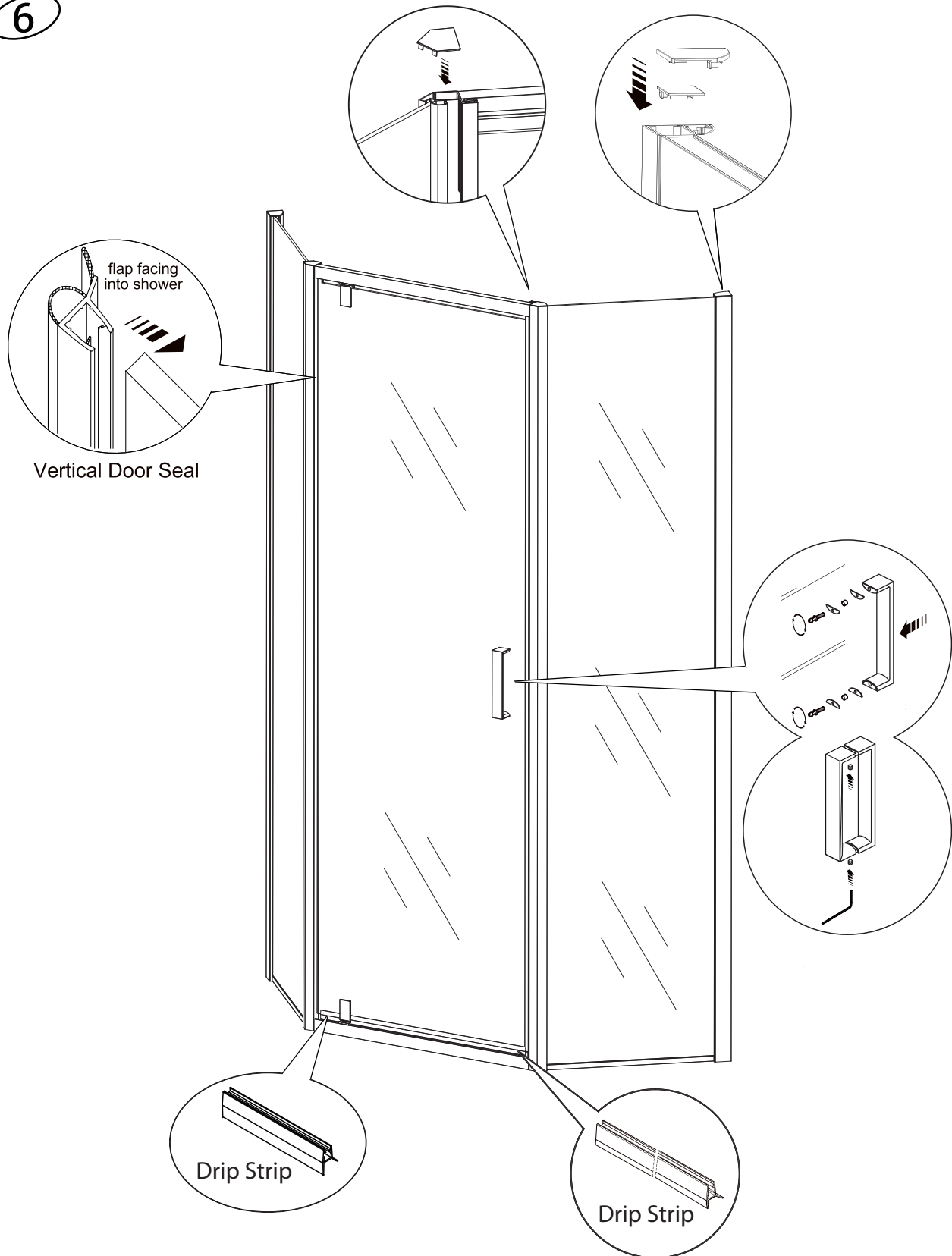


- (a) Lift the door frame into position and insert into the 45° corner posts of return panels.
- (b) Adjust the panels so that the door magnetic seals sit correctly and the gap between the door glass and horizontal rails is equal.



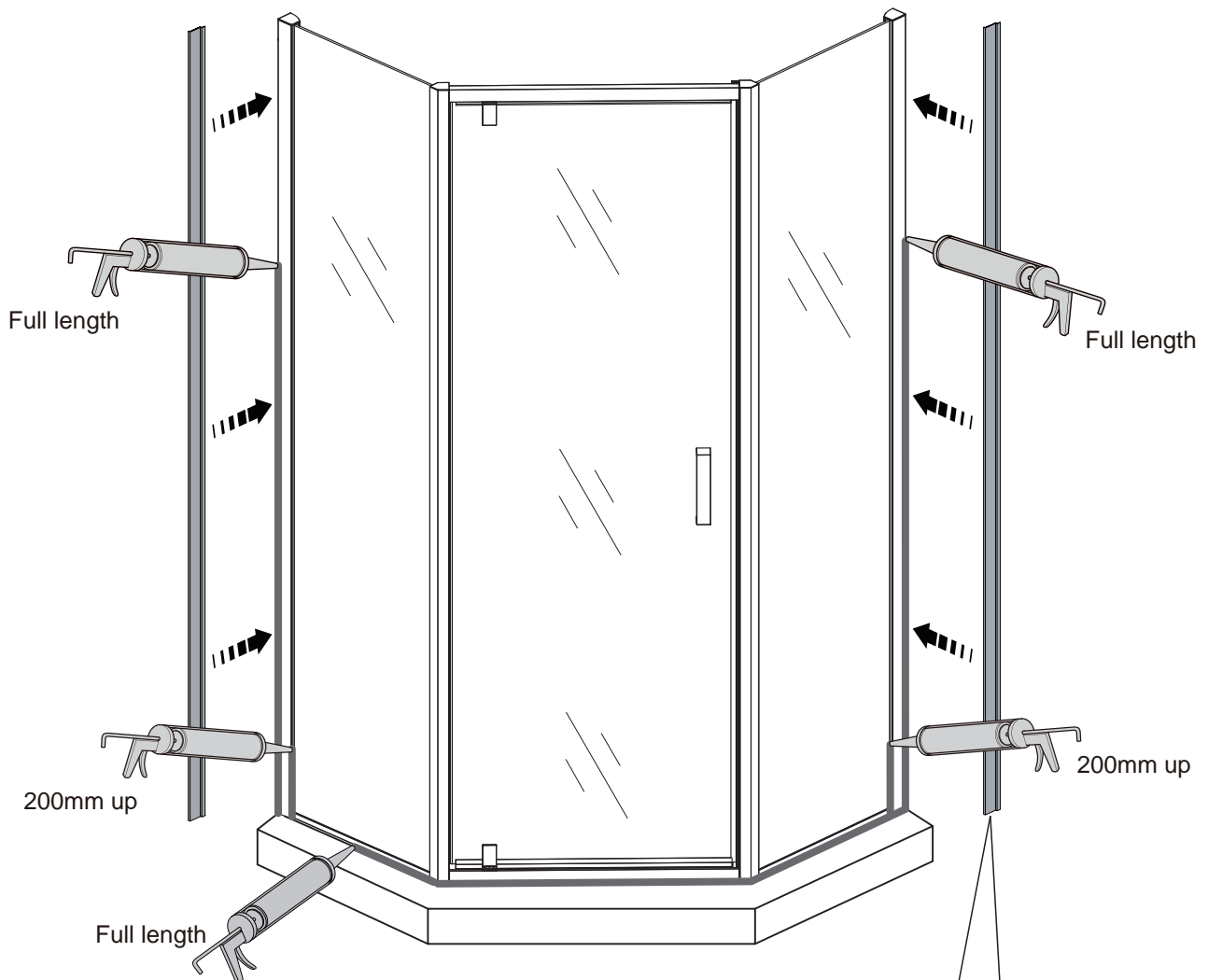
- (a) Centralise the door frame within the corner posts, ensuring the door frame is square.
- (b) From the inside of the enclosure drill four holes in each of the four posts, through the centre-marked points in the aluminium with a 3mm HSS drill (not supplied).
- (c) Install and tighten the assembly screws **(B)**.
- (d) Ensure the corner post screw cover clips are in place and insert the cover strips.
- (e) Fit the corner covers to the wall channels. They should “snap” into place.

6



- (a) Install the vertical and horizontal door seals onto the door panel.
- (b) Install the door handle, ensuring that the grub screws are on the underside.
- (c) Fit the caps to the top of the posts. Add silicone or modify caps to fit if required.


7

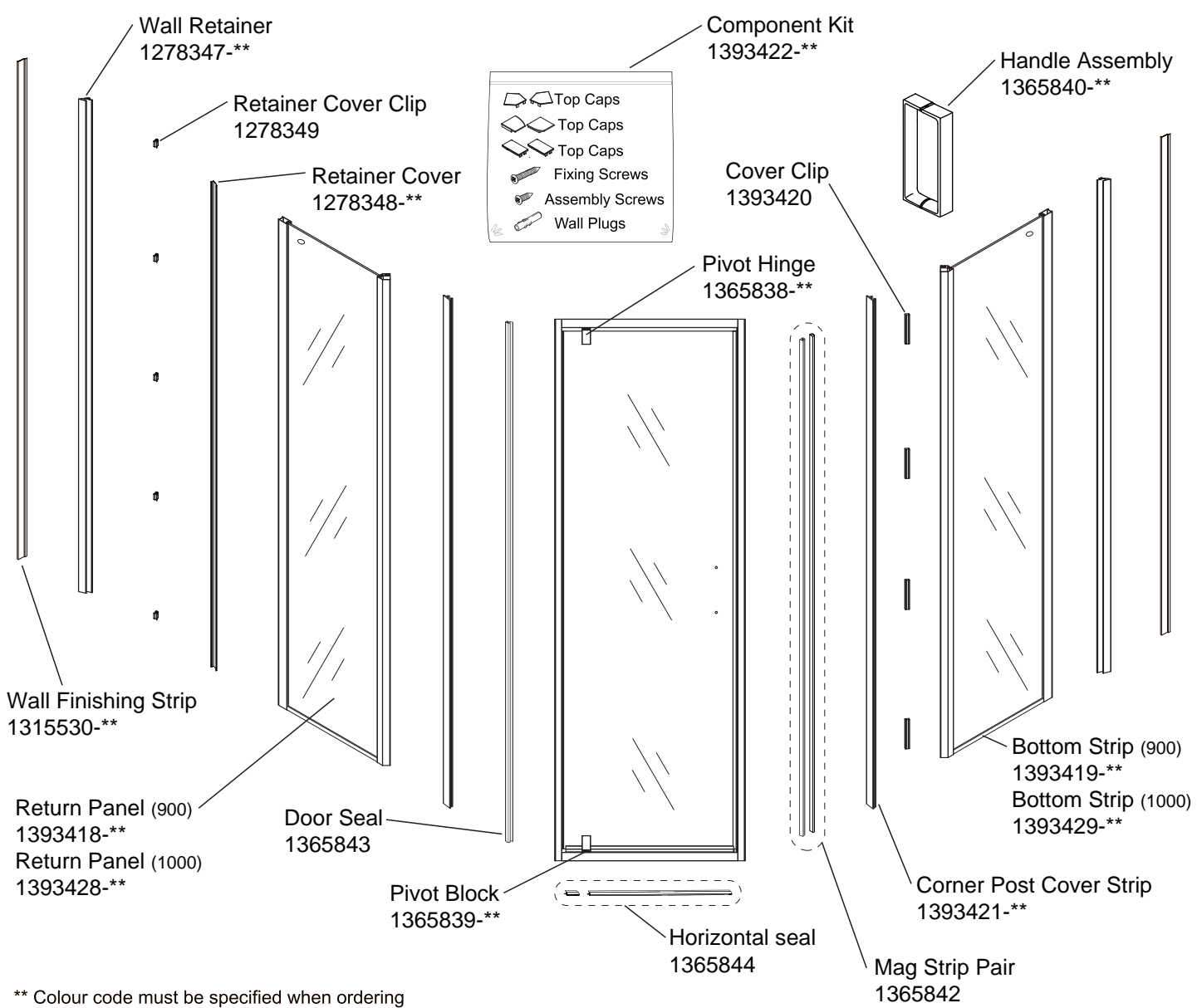


- (a) Apply sealant along the outside surfaces of the enclosure. Do not seal from inside.
- (b) Install the wall finishing strips, if desired.
- (c) Allow the silicone sealant to cure for 24 hours before use.

Installation complete.

SPARE PARTS

 Scan the QR barcode on the packaging or underside of top caps to identify the product SKU and date of manufacture.



CLEANING AND MAINTENANCE INSTRUCTIONS

Please refer to our website for cleaning instructions.

CONTACT AND WARRANTY INFORMATION

NEW ZEALAND
 KOHLER NZ LTD

Free Ph: 0800 100 382
 Free Fax: 0800 664 488
 www.Englefield.co.nz

AUSTRALIA
 KOHLER AUSTRALIA

Free Ph: 1 800 ENGLEFIELD
 (1 800 364 533)
 www.Englefield.com



For warranty information, please visit our website.

Trusted in New Zealand Since 1982