

Description

Soft 650 Wall-Hung Vanity, 2 Drawer, White/Melamine

Product Code

FT65D2WH / M

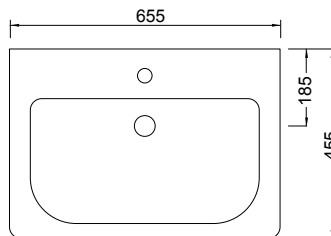


Features

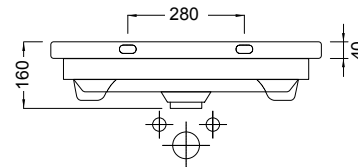
- Dimensions - W 655 x H 620 x D 455mm
- Paint - The paint used on our products is polyurethane or UV based. It is five times harder and more durable than lacquer finishes. White only.
- Timber effect (Melamine) - Our woodgrain melamine is a low pressure laminate. Colours available are Nordic Ash, Manhattan Elm, Southern Oak, French Oak, Driftwood or Charred Oak.
- Available with or without a handle.
- Soft-close drawers.
- Includes basin and cabinet.

Technical Drawings

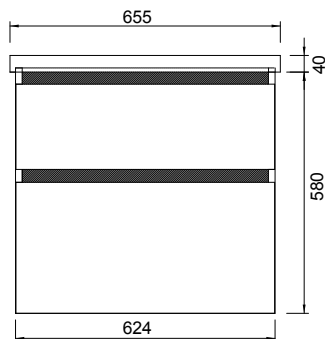
Top



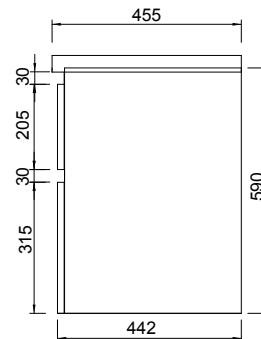
Back Section Basin



Front



Side Section



Notes

Drawing indicates the technical measurement only and is not a reflection of how the unit will look. Sizes nominal only. All drawings in millimeters. Allow +/- 10mm for all measurements.