

## Important Information

Not recommended for uncontrolled heating systems such as wetback or solar heating units unless a NEFA TLV valve is fitted. Recommended supply temperature from 5°C to 65°C, maximum 80°C.

Flush all pipework thoroughly prior to installation of the mixer. Inline filters must be installed on both the hot and cold supplies to protect the ceramic cartridge from debris.

Do not plug the outlet of the mixer when hydrostatically testing a new installation as this may cause damage to the ceramic cartridge. Do not remove the ceramic cartridge when installing the mixer.

## Important Information FU2070

This mixer is designed to work on high mains pressure only, i.e. above 150 kPa. Recommended supply pressures, minimum 150 kPa, maximum 1000 kPa. If your local supply pressure exceeds 1000kPa, ensure a NEFA Pressure Limiting Valve is fitted.

## Important Information FU2080

This mixer is designed to work on unequal and equal high mains pressure systems. If fitting to an unequal pressure situation fit the flow restrictor supplied to the cold (high pressure) union adaptor inlet. Recommended supply pressures, minimum hot pressure 35kPa, minimum cold pressure 150 kPa, maximum 1000 kPa. If your local supply pressure exceeds 1000kPa, ensure a NEFA Pressure Limiting Valve is fitted. To get maximum flow with uneven pressure situations it is recommended the aerator fitted to the faucet be removed and replaced with the flow straightener supplied.

**Flow rate: 12l/min @ 40°C mix (76kPa hot/500 kPa cold supply pressures).**

Operating at lower pressures will result in lower flows.

## Installation Instructions (refer diagram over)

### FU2070

The hot and cold water supplies should come from two G $\frac{1}{2}$ " female connections 150±50mm apart. Hot on the left, cold on the right.

Screw the offsets to the supply connections until the flanges are against the wall lining and are in the correct orientation to match up to the faucet body.

Insert one union washer into each union nut.

Install the bath faucet by screwing the union nuts to the G $\frac{3}{4}$ " end of the faucets

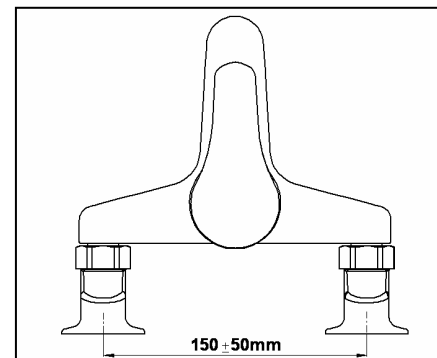
### FU2080

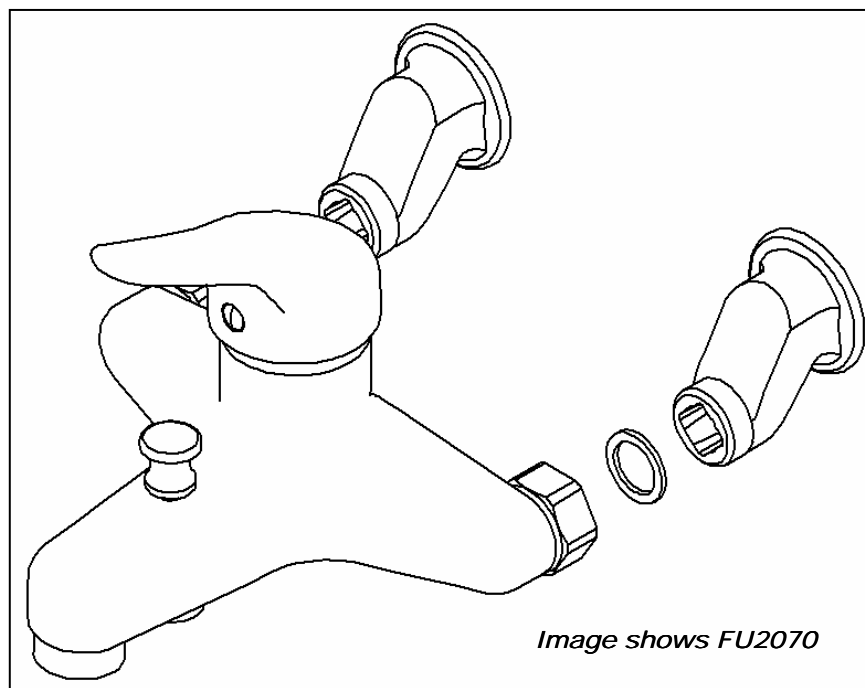
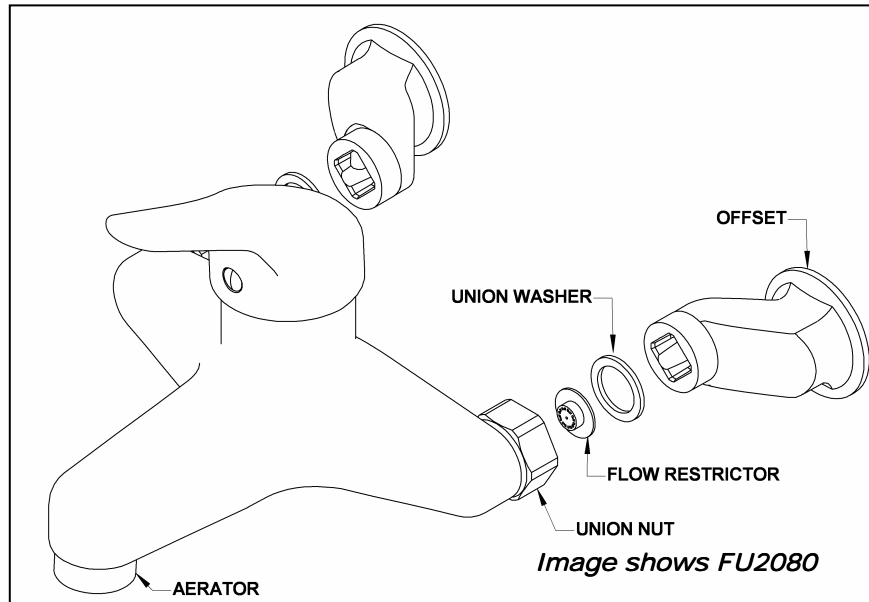
The hot and cold water supplies should come from two G $\frac{1}{2}$ " female connections 150±50mm apart. Hot on the left, cold on the right.

Screw the offsets to the supply connections until the flanges are against the wall lining and are in the correct orientation to match up to the faucet body.

Insert the flow restrictor into the cold water supply union nut (unequal pressure only). Insert one union washer into each union nut.

Install the bath faucet by screwing the union nuts to the G $\frac{3}{4}$ " end of the faucets





Where Methven tapware or valving (tapware) is purchased for use or on-sale in the context of any business, Methven undertakes to either repair or replace (at its option) that tapware if it is discovered that such tapware contains a material defect, which arose in the course of manufacture.

This undertaking shall not apply if:

1. The defect is brought to Methven's attention later than 2 years after the date of purchase, where the defect relates to washers, "O" rings, lip and other seals and powder coating, or 5 years where the defect relates to any other tapware componentry. All single lever ceramic disc cartridges specified for mains pressure only use, has a lifetime warranty.
2. There is a failure by any person to follow Methven's installation instructions or the tapware is used other than in accordance with Methven's specifications.
3. Evidence cannot be produced which confirms that the relevant tapware was purchased from a Methven authorised distributor.
4. Repair work is performed on the relevant tapware by a person other than Methven, its authorised service agents or any plumber who has not received authorisation **prior** to proceeding with the work.

Conditions:

Proof of purchase details (such as invoice or receipt) will be required to claim under this warranty.

Lifetime warranties are applicable, where mains pressure use only has been specified, on ceramic disc cartridges and will result in replacement of defective parts.

The above undertaking from Methven shall also apply to any purchaser of Methven tapware who is a "Consumer" under the Consumer Guarantees Act 1993, in addition to any other right or remedy which such person may have under that Act.

Methven shall in no way be liable to the purchaser or user of any tapware, for any loss, damage (direct, indirect or consequential), cost or expense suffered or incurred by that person, otherwise than as provided in the above provisions, or as provided under the Consumer Guarantees Act 1993.

METHVEN LIMITED \* 447 Rosebank Rd \* Avondale \* Auckland \* New Zealand  
 phone : 03 466 4180      fax : 0800 805 222      website: www.methven.biz