

Extractable Kitchen Mixer



TUNE

FWK3093BC

Muse Extractable Kitchen Mixer Brushed Copper

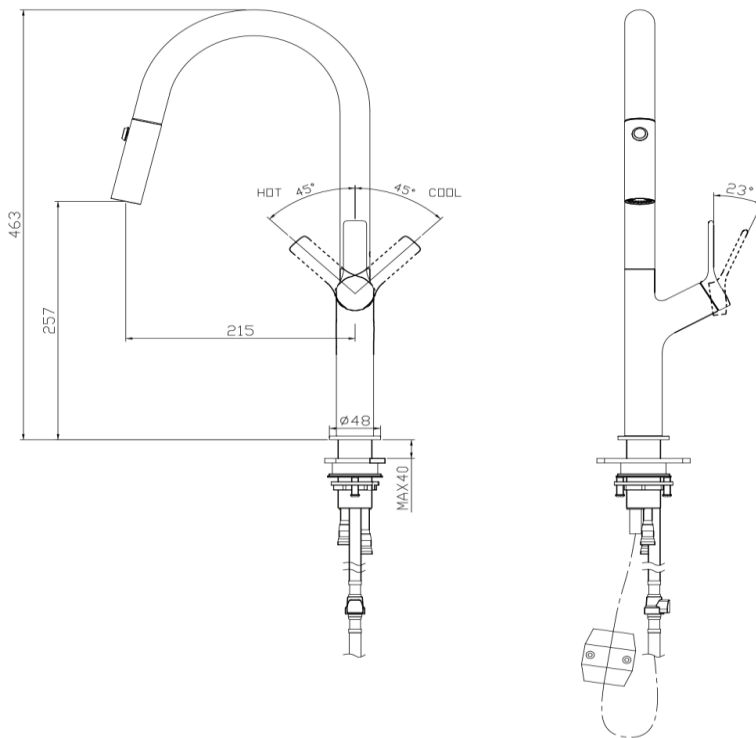
Muse extractable kitchen mixer in a brushed copper finish, on a stainless steel construction.

This mixer features an angled style barrel with a dual spray button control, and an easy-use swivel handpiece connection.

463mm overall height x 215mm reach

Recommended working pressure 200 – 500kPa (balanced)

Ceramic disc cartridge



CARE AND USE

Tapware

All finishes are smooth, abrasion resistant, corrosion resistant, fade-proof and easy to clean. All finishes are super hard wearing surfaces that won't chip, peel or tarnish with normal use. All surfaces should be regularly wiped clean with non scouring, neutral wash solutions.

LIMITED PRODUCT WARRANTIES

To be read in conjunction with and subject to all terms and conditions contained in the Waterware 'Producer Statement' available on-line (<http://www.waterware.co.nz/media-downloads>) From date of purchase, Waterware Services warrants products from the following categories to be free from manufacturing defect subject to exclusions (if applicable):

Category	Domestic Installations	Commercial Installations	Exclusions	Wels
Tapware 10 year conditional warranty	5 years parts and labour, 6-10 years parts only	1 year parts and labour	Handshowers and Hoses	5 Star 4.5L/min