



GENESIS LADDER TOWEL WARMER

For Warm Fluffy Towels

Operation

Your GENESIS Towel Warmer uses only minimal electrical power - about the same as an average light bulb. It will take approximately 20-30 minutes to reach maximum operating temperature. GENESIS Towel warmers are designed for continuous operation. NOTE: The temperature of your towel warmer will vary with the ambient temperature of your room. A towel warmer is designed to warm and assist the drying of towels and will normally operate at a temperature that is too hot for the warmer to be grasped for an extended time.

Locating Instructions

Detailed installation instructions are provided on the reverse side. The GENESIS Ladder Towel Warmer should be fixed through the wall cladding directly to studs or other suitable anchor material. The towel warmer should be located in compliance with the AS/NZS 60335 Standard and should not in any circumstances be located in the direct path of a water source (tap or shower etc). GENESIS towel warmers have an IP45 rating offering you the greatest flexibility to safely locate the towel warmer in bathrooms or shower rooms in **Zone 1-3**. All other electrical fittings must also be compliant with the zone within which the warmer is being installed.

Electrical Installation

Please ensure your towel warmer is installed by a registered electrician and ensure the electrical supply, plug & switch location, and product location will comply with your local regulations.

New Zealand electrical wiring requirements stipulate that this appliance must be wired by a registered electrician in accordance with current electrical wiring regulations. This appliance must be fitted with an air gap phase isolation switch which isolates the phase & neutral in accordance with local wiring regulations. **This product must be used in conjunction with a hard wired switch.** For complete temperature control a wall mounted dimmer switch (with "off" position) is recommended.

Concealed Wiring Kit

A concealed wiring adapter kit is included with this product. If you have access to the wall cavity the kit allows you to conceal the electrical flex for a more streamlined and visually appealing installation.

Care and Cleaning

The polished stainless steel finish of your Towel Warmer is hard wearing and easily maintained. Clean regularly with a soft cloth and non-abrasive cleaning agent.

Guarantee

This product is guaranteed against defects due to faulty workmanship or materials for 5 years from date of purchase. In the event of a defect in the product, it should be returned with the sales receipt to the retailer from whom it was purchased. Under the guarantee the defective article will be repaired or replaced at Heirloom's option – free of charge. Costs of disconnection, reconnection, and freight are the responsibility of the owner, as is any damage arising in transit to and from servicing.

This guarantee does not cover:

- a. Any damage to the product caused by misuse, neglect, accident, or in violation of the manufacturer's instructions, or
- b. Any damage, loss or injury arising as a consequence of the use of the product.

Contact Us

We welcome your feedback on our products. You can view our full range of towel warmers on our website and send us your comments about this product to

info@heirloom.co.nz.

Heirloom International Limited,

P O Box 204 235

Auckland 2161,

New Zealand.

www.heirloom.co.nz

INSTALLATION OF GENESIS LADDER TOWEL WARMER

SPECIFICATIONS	Mounting Centre (Approx Width)	Rating at 240 Volts AC	Voltage	IP Rating
Model WG1220 (11 Rungs)	570mm	136 Watts	230-240VAC	IP45
Model WG1025E (9 Rungs)	770 mm	138 Watts	230-240VAC	IP45
Model WG1025 (9 Rungs)	570mm	112 Watts	230-240VAC	IP45
Model WG825 (7 Rungs)	570mm	90 Watts	230-240VAC	IP45
Model WG825S (7 Rungs) Slimline	420mm	68 Watts	230-240VAC	IP45
Model WG510 (5 Rungs)	570mm	58 Watts	230-240VAC	IP45
Model WG510E (5 Rungs)	820mm	88 Watts	230-240VAC	IP45

This Package Contains:

- | | |
|---|--|
| 1 Ladder Towel Warmer | 1 x Concealed adaptor fixing barrel (optional) |
| Electrical Flex | 4 x Mounting Screws to fix Fixing Barrel to wall |
| 2 x Top Mounting Legs with Fixing Barrel & Grub Screw & (Separate) Fixing bolt | |
| 1 x Bottom Mounting Leg (Non Flex Leg) with Fixing Barrel & Grub Screw | |
| 1 x Bottom Mounting Leg (Flex Leg) with Plastic Trim & Flat Fixing Bracket & Grub Screw | |

CAUTION: Prior to installation please ensure the product is to your satisfaction. Once installed Heirloom cannot be responsible for defects in the product finish. This product is not intended for use by young children or infirmed persons without supervision. Young children should be supervised to ensure they do not play with the product. To minimize a hazard for young children, this appliance should be installed so that the bottom rail is 600mm above the floor. If the supply cord is damaged it must be replaced by the manufacturer, its service agent, or similarly qualified persons in order to avoid a hazard.

Installation:

This towel warmer must be installed by a registered electrician and in accordance with local and national electrical codes. We recommend that the towel warmer be installed vertically on a flat and uniform wall, and where possible into studs or other suitable anchor material. If fixing to hollow cavity walls, Toggle Anchors (not those supplied) or similar devices must be used.

Position the towel warmer so that the plug and mains power receptacle are easily accessible, with the cable entry to the towel warmer NEAREST THE FLOOR. Avoid the supply cable coming into contact with the heated parts of the towel warmer.

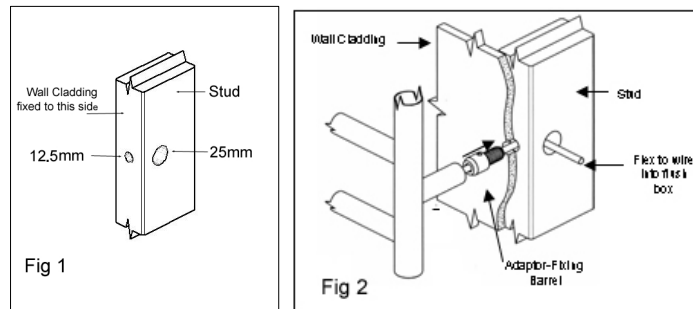
DO NOT PLUG THE UNIT INTO THE POWER SUPPLY OR SWITCH THE TOWEL WARMER ON BEFORE INSTALLATION IS COMPLETE.

- 1 If the towel warmer is being installed with a concealed electric flex, read those instructions before returning to this point as preparatory work is required before the wall cladding is installed onto the walls.
- 2 Identify the three different types of mounting legs per the above descriptions and attach the two top mounting legs to the towel warmer with the fixing bolts (After removing the fixing barrels & making sure the grub screw will face the floor)
- 3 Decide which side the electric flex is to be connected and then connect the "Non Flex" Leg to the bottom of the towel warmer that will not house the electric flex (After removing the fixing barrel & making sure the grub screw will face the floor). Also before attaching the leg, make sure the cap that covers the electrical connection/wires is in place.
- 4 Thread the "Flex Leg" on to the electric flex (ensuring that the leg is facing in the correct direction). On the foot that will receive the electric flex, remove the cap from the electric flex that protrudes from the towel warmer. Plug in the electric flex and firmly secure it by screwing together the two pieces of the connector fitting. Fix the leg to the towel warmer with the two screws provided.
- 5 If the warmer is being installed without using the concealed adaptor (i.e. The electric flex is to be visible) proceed to the next step. If the towel warmer is being installed with a concealed wiring fixing adaptor, proceed to that section.
- 6 Hold the towel warmer in position and mark around one of the top legs. Remove the towel warmer and fix the fixing barrel to the wall.
- 7 Place the leg onto the fixing barrel and, making sure that the towel warmer is level, mark the location of the remaining top leg. Fix the fixing barrel to the wall
- 8 Place the towel warmer onto the two fixing barrel's and mark the location of the two bottom legs.
- 9 Remove the towel warmer and fix the remaining fixing barrel and fixing bracket to the wall. Ensure that the metal fixing bracket is used for the foot that contains the electric flex . (The other three feet will use the same style of fixing bracket)
- 10 Ensure the flex exits the leg through the slot with the plastic edge.
- 11 Place the towel warmer in position and secure it to the fixing barrels using the grub screws.

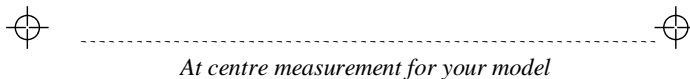
Concealed Wiring Option Instructions:

The concealed wiring adaptor is to be installed **before** the wall cladding is in position.

1. Ensure that the flush box that the towel warmer will be wired to is within this distance of the mounting position of the foot of the towel warmer that has the flex. Allow for loss of flex length due to connections.
2. Drill a 12.5mm hole into the face of the stud where the towel warmer foot with the flex is to be positioned. Drill the hole approximately 25mm deep.
3. Identify the side of the stud facing the flush box that the towel warmer will be wired to. On that side of the stud, drill a 25mm deep hole at right angles to this first hole so that the hole will break into the base of the first hole. Refer to Fig1.



9. Place a pull through line from the flush box to the 12.5mm hole that can be picked up later once the wall cladding is in place
10. Once the wall cladding is positioned, remove some of the cladding to expose the 12.5mm hole. Locate the pull through and thread the adaptor-fixing barrel onto the pull through.
11. Screw the adaptor fixing barrel into the stud. On masonry walls drill a 14mm hole and epoxy resin the adaptor-fixing barrel into position. The shoulder of the barrel should leave a gap equal to the wall cladding thickness so that when the wall cladding is fixed the shoulder of the barrel is flush with the wall cladding. (refer Fig 2)
12. Mark a point horizontally from the centre of the adaptor at the measurement for your model (but check the actual measurements to your warmer as manufacturing tolerances apply) for the other bottom fixing barrel. It is important that the line between these two points is level.



13. Screw the other fixing barrel (provided with the towel warmer) into place with the screw provided with the towel warmer.
14. Attach the pull through to the flex and pull the flex through the stud holes to the flush box.
15. Position the towel warmer on the bottom two fixing barrels and mark the two top feet. (Use easy to remove pencil)
16. Mark the centre distance for the top fixing barrels (per above) & screw the fixing barrels to the wall.
17. Remount the towel warmer on the four fixing barrels. Secure the foot containing the flex with the screw provided then secure the three remaining feet with the screws provided.

