



APPLICATIONS



HAND BASIN



BATH



SHOWER



WASHING MACHINE



DISH WASHER



KITCHEN SINK



WMTS 106:2019
Certificate No. 23048
Manufacturer: SFA
Brand: Saniflo

Sanispeed® +

Ideal for light commercial environments such as small shops, cafes, offices, bars, automatic coffee machines and dental surgeries where grey water needs to be disposed of.

PRODUCT REFERENCE:
SA101



TECHNICAL CHARACTERISTICS

Discharge Pipework	25 mm
Motor Power	400 Watts
Voltages	220-240 V/50 Hz
Working Waste Water Temp	35°C/Max 75°C (intermittent)
Product Weight	6.4 kg
Overall Measurements	373 x 275 x 185 mm
Inlet Pipework	40 mm
IP Rating	IP44

WHY CHOOSE THIS PRODUCT?

Ideal for light commercial applications

Low activation level (95 mm)

Robust motor

Four inlets - two side entries and two top entries

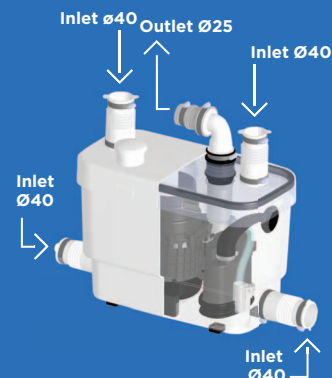
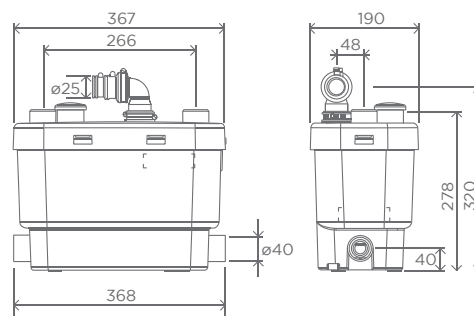
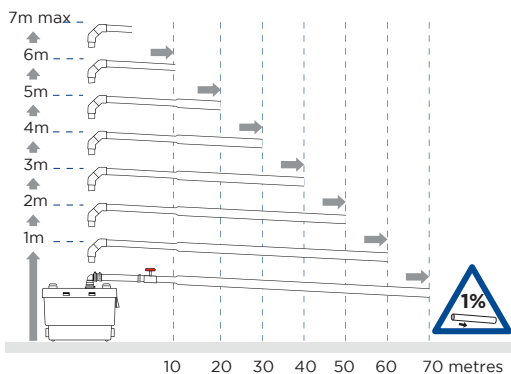
Working temperature of 35°C

Will handle up to 75°C for short periods (5 minutes)

Carbon filter included to neutralise odours

VERTICAL/HORIZONTAL PERFORMANCE

Increase size of horizontal run by one pipe size after 5m. All horizontal pipework requires a minimum of 1:100 fall.



FLOW RATE PERFORMANCE CHART

Discharge height (m)

