



APPLICATIONS



HAND BASIN



BATH



SHOWER



WASHING MACHINE



DISH WASHER



KITCHEN SINK



WMTS 106:2019
Certificate No. 23048
Manufacturer: SFA
Brand: Saniflo

Sanifast SWH190

The Sanifast®SWH190 is a compact easy to service commercial grey water pump designed for medium-heavy commercial use. The unit is designed to receive and pump away waste water from a washing machine dishwasher, sink and is ideal for busy commercial office kitchens.

PRODUCT REFERENCE:

SWH190

WHY CHOOSE THIS PRODUCT?

Ease of service design with no pipework connections on lid to hinder removal

Built in high level alarm

Plug and Play connectivity to optional external Sanialarm Interlock for water and power isolation

Large tank capacity

Factory pre-mounted non return valve (supplied)

High pumping performance

Integrated carbon filter and anti flood valve

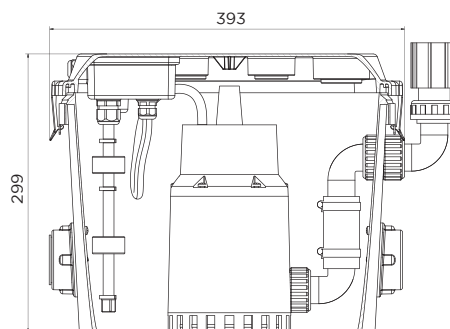
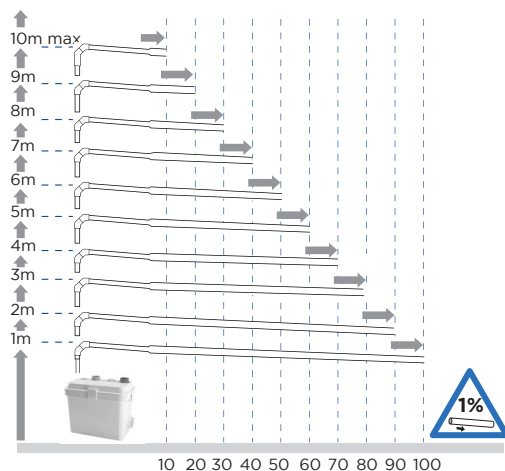
TECHNICAL CHARACTERISTICS

Discharge Pipework	25 mm
Motor Power	850 Watts
Voltages	220-240 V/50 Hz
Working Waste Water Temp	40-90°C
Product Weight	7 kg
Overall Measurements	393 x 320 x 250 mm
Inlet Pipework	50 mm
IP Rating	IP44

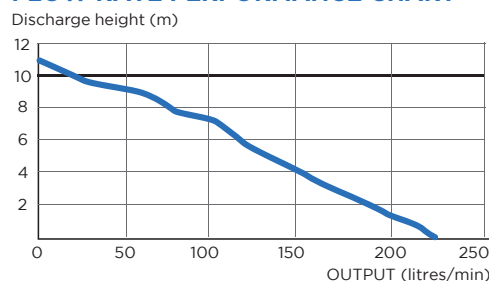


VERTICAL/HORIZONTAL PERFORMANCE

Increase size of horizontal run by one pipe size after 5m. All horizontal pipework requires a minimum of 1:100 fall.



FLOW RATE PERFORMANCE CHART



Shaking up water

Made in Germany to the highest standards, needs to be installed by a licensed plumber