

## HOW TO FIT RESTRICTOR & SLEEVE KIT

WaterScrooge™ products are ideal for mains/equal high water pressure systems with a high flow output of around 12-16 litres per minute or more. Equal low or unequal pressure systems may not benefit as much from water-saving products as they already have a low flow output of around 6-9 litres per minute or less.

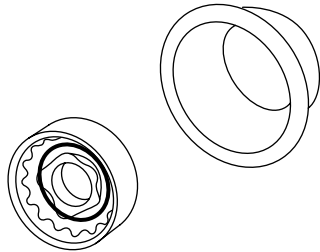
1

Choose your preferred restrictor:

Yellow - 10 L per min  
 White - 8 L per min  
 Grey - 6 L per min

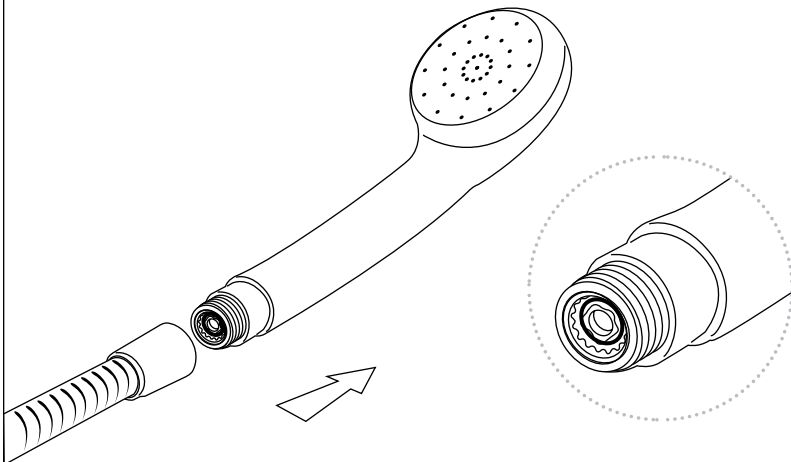
2

Push restrictor into the sleeve provided.



3

Unscrew your shower handpiece from the hose, and fit the sleeve containing the restrictor into the handpiece. Screw the handpiece back onto the hose, and test the flow at your usual shower temperature. If required, the restrictor can be easily changed to one with a different flow rate.



## HOW TO FIT RESTRICTOR & SLEEVE KIT

WaterScrooge™ products are ideal for mains/equal high water pressure systems with a high flow output of around 12-16 litres per minute or more. Equal low or unequal pressure systems may not benefit as much from water-saving products as they already have a low flow output of around 6-9 litres per minute or less.

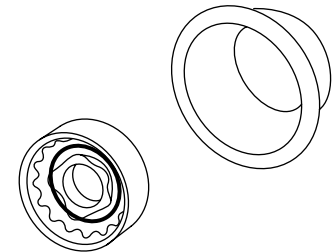
1

Choose your preferred restrictor:

Yellow - 10 L per min  
 White - 8 L per min  
 Grey - 6 L per min

2

Push restrictor into the sleeve provided.



3

Unscrew your shower handpiece from the hose, and fit the sleeve containing the restrictor into the handpiece. Screw the handpiece back onto the hose, and test the flow at your usual shower temperature. If required, the restrictor can be easily changed to one with a different flow rate.

