

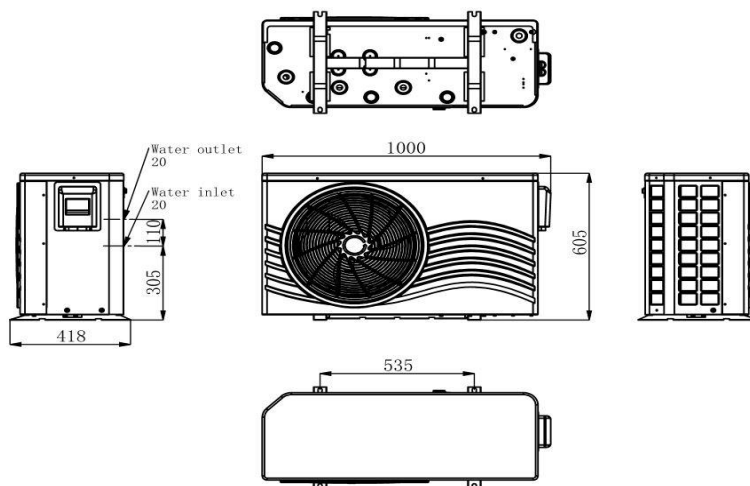
HPRD7.5

Ritter Hot Water Heat Pump, 7.5kW



Technical Specification

- Hot Water Capacity Range (kW): 7.5
- Hot Water Power Input Range (kW): 1.63
- Hot Water Max Temp: 70°C
- Max Current Input (Amps): 12.0
- Power Supply: 220-240V /50Hz
- Compressor Quantity: 1
- Compressor Model: Rotary
- Compressor brand: Mitsubishi
- Refridgerant: R134a
- Fan Quantity: 1
- Noise dB(A): 53
- Water Connection (Inch): 3/4"
- Pump: Grundfos



Superseded Product

Approvals

Complys with BS EN 14511-1-2013 Air to Water conditioners

Warranty

5 years parts and labour

Features

Ritter hot water is an inverter air to water heat pump with R134a refrigerant and high efficiency, optimized for direct recovery hot water applications. High quality and efficient compressor, fan and water pump is used to ensure the low noise level with insulation.

The heat pump is designed with an attractive plastic case with compact size and low operation noise.

This series of heat pump is designed to work without electric element support with output temperature up to 70°C without door temperature between -7°C & 45°C.