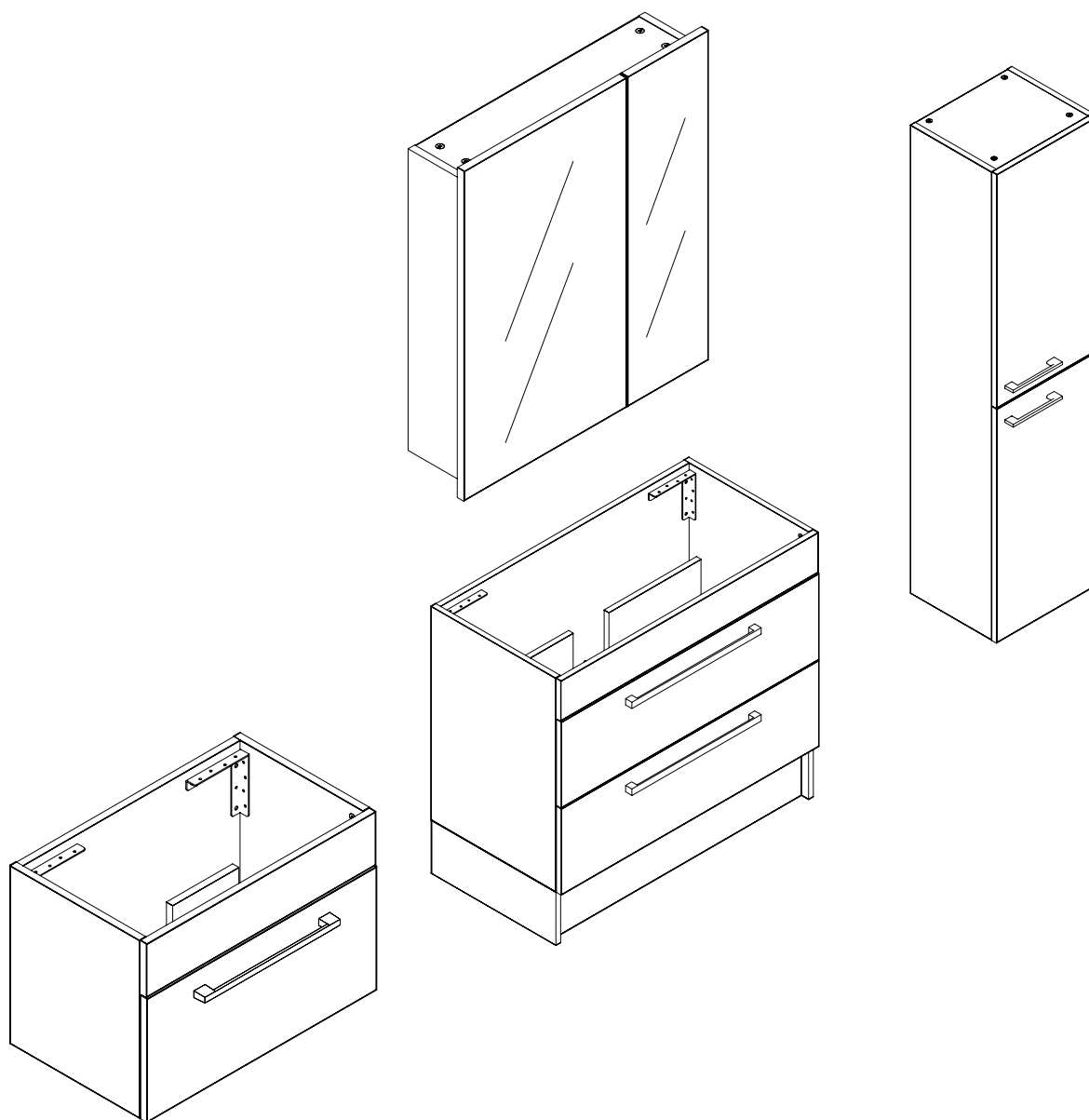


INSTALLATION INSTRUCTIONS

VANITIES, MIRROR CABINETS & WALL TOWERS

progetto
DESIGN COLLECTION



IMPORTANT!

Please read these instructions **prior** to installation

Distributed by:

Plumbline

Exceptional Bathrooms.
Exceptional Choice.

T 04 568 9898 E sales@plumblin.e.co.nz
www.plumblin.e.co.nz

Progetto Bathroom Furniture products are manufactured from the finest materials and when treated with care will last many years.

Vanity Tops

Vanity tops must not be subjected to water temperatures above the recommended safety level of 55° Celsius. Clean your vanity top with a damp cloth and a non-abrasive liquid cleaner. Stubborn stains and scratches can be removed with a light application of Brasso or a similar cutting compound. Avoid abrasive cleaners, solvents, heat and sharp objects. The use of cleaners incorporating ingredients which have been identified as harmful on composite or ceramic will void the warranty.

Vanity Cabinets

Materials used are water resistant and not waterproof. All spillage or leakage of water that may come in contact with the unit should be carefully dried immediately as water damage is not a justifiable claim. Keep heat away from the cabinet and avoid metal or sharp objects which could scratch and damage the surface.

Clean the cabinet with a soft damp cloth and a liquid household cleaner and dry off all surfaces after cleaning. Abrasive cleaners should never be used.

General Installation Instructions

It is recommended that a qualified, licensed tradesperson install your unit. This unit carries a full warranty against faulty workmanship and material. Prior to installation it is important to inspect the unit to ensure no defects or no damage has occurred in transit as the warranty does not cover the cost of removal and installation once installed. The warranty will be null and void if damage occurred after installation.

Vanity Tops

During the manufacture of ceramic tops they shrink significantly and this can result in the product being slightly uneven. It is recommended that the ceramic top be fixed onto the cabinet with silicone applied to the top edges of the cabinet. All vanity tops should also have a bead of silicone applied between the rear upstand or back edge and the wall. Do not tile down onto vanity top, fix vanity and vanity top to finished wall covering.

Cabinets

- Floor standing

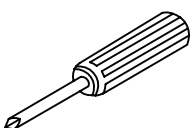
Ensure the floor is level or the vanity is packed under the base to make the vanity level. Ensure the wall is straight. Drill holes for pipes in base or rear of unit with appropriate size hole saw. Position unit, check cabinet is level and square and fasten to wall. Do not tile down onto vanity top or into side of vanity unit, vanity should be installed onto finished wall covering.

- Wall hung

Ensure the wall is straight as a bowed wall will twist the cabinet and distort the door alignment. Decide the appropriate height for the top of the unit, normally between 840 and 900mm. Deduct the thickness of the vanity top/basin and this becomes the fixing height to the top of the vanity cabinet. Drill holes for the pipes in rear of unit and base with appropriate size hole saw. Position unit, check cabinet is sitting level and square and fasten to wall. Fastenings should be into solid timber and be within 50mm of each side. Do not tile down onto vanity top or into side of vanity unit, vanity should be installed onto finished wall covering.

A bead of sealant must be used to seal all edges where water penetration may occur - between cabinet and wall and between cabinet and floor. The warranty will be null and void if damage occurred after installation.

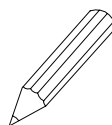
Tools Required For Installation



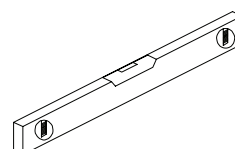
Screwdriver



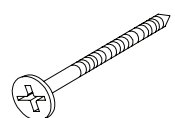
Drill & 5mm Drill Bit



Pencil

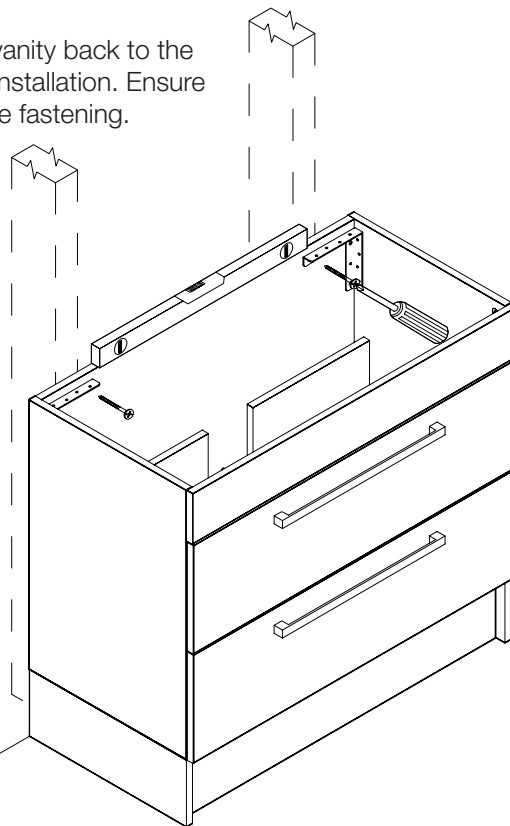


Level

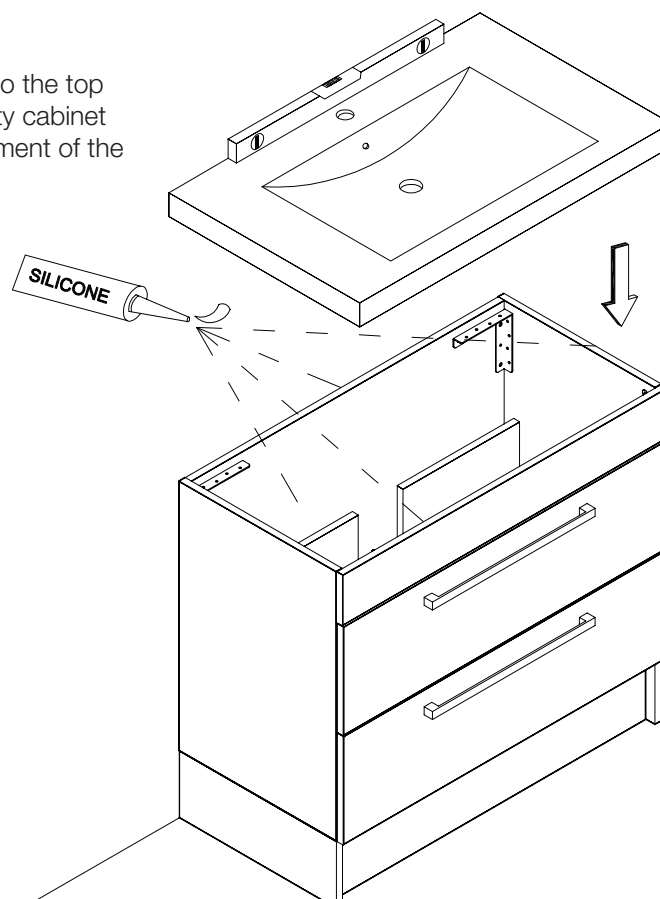


75mm Screws

1. Pre-drill 5mm holes and fix vanity back to the wall to prevent it moving after installation. Ensure the vanity cabinet is level before fastening.



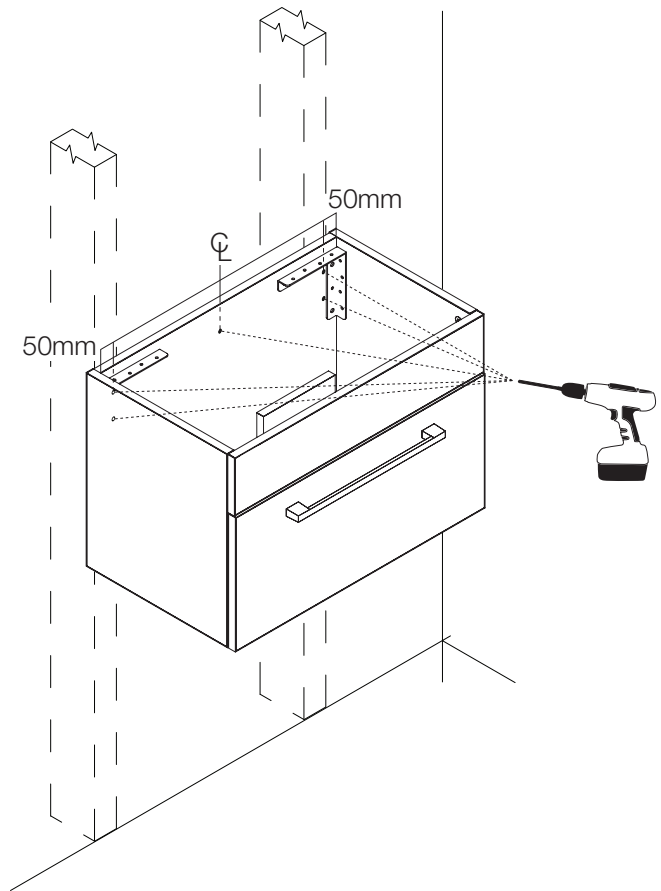
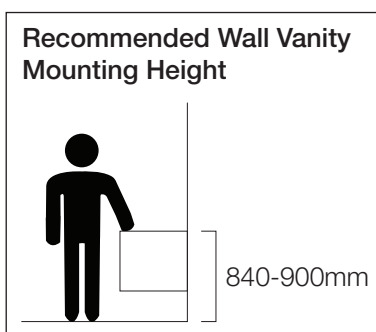
2. Apply silicone to the top edges of the vanity cabinet before final placement of the vanity top.



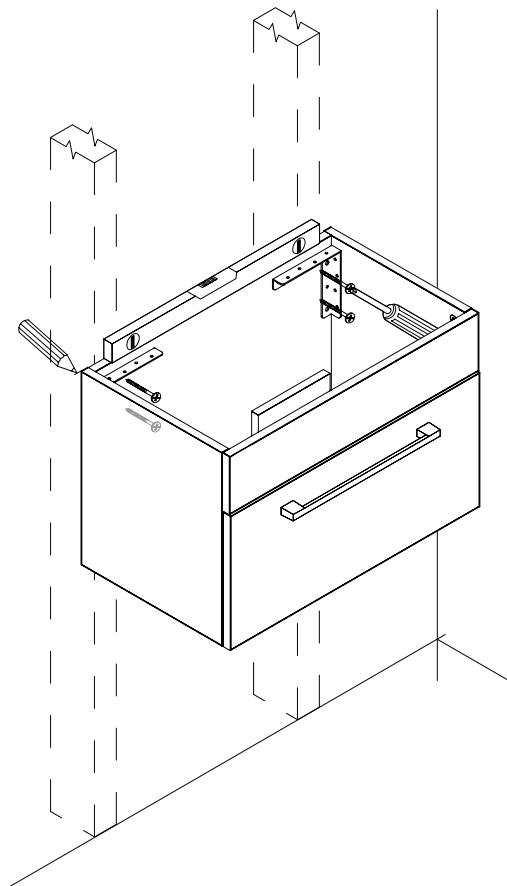
Wall Hung Vanities

⚠ Important! Before installing ensure there is sufficient timber framing in the wall to securely fasten your vanity to.

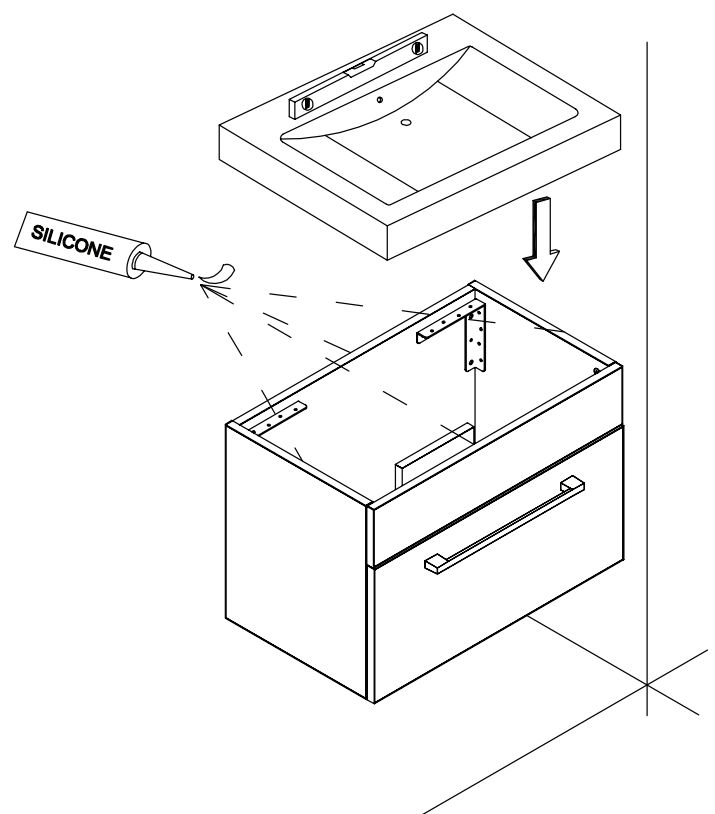
1. Pre-drill 5mm holes in the back of the vanity cabinet as follows:
 - Double fixing holes approx. 50mm from each side
 - Fixing in the centre for vanities 750mm to 1200mm



2. Mark your preferred vanity height on the wall (remembering to allow for the vanity top) and fix vanity to the wall using 75mm screws. Special attention must be made to ensure the vanity cabinet is level.



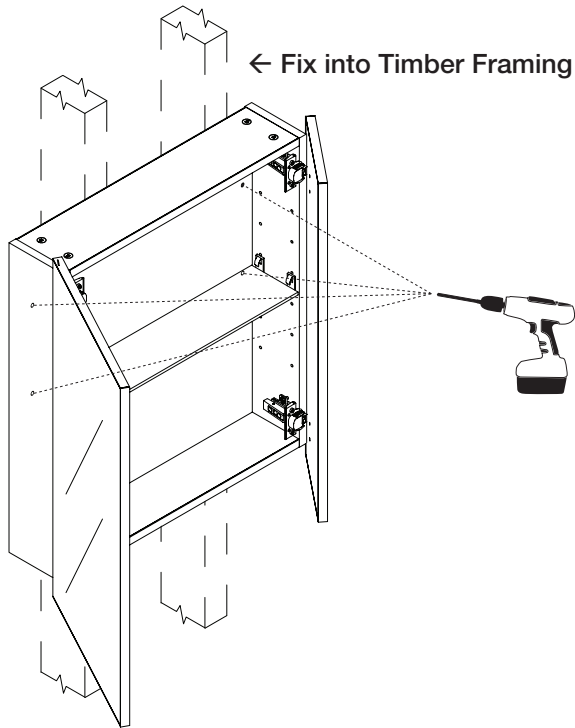
3. Apply silicone to the top edges of the vanity cabinet before final placement of the vanity top.



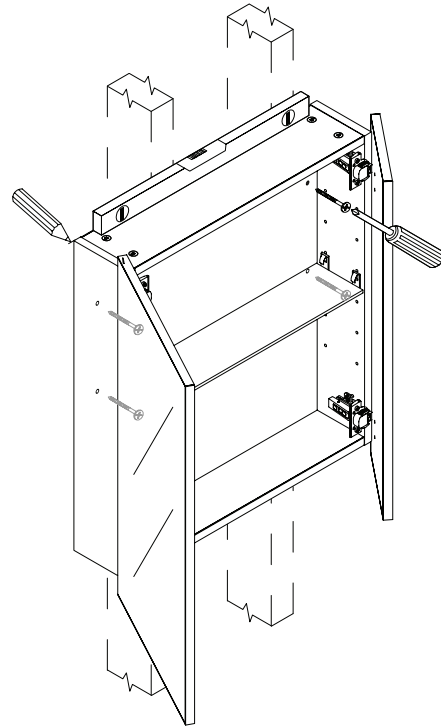
Mirror Cabinets

⚠ Important! Before installing ensure there is sufficient timber framing in the wall to securely fasten your cabinet to.

1. Pre-drill 5mm holes as follows in the back of the mirror cabinet. Holes will need to be positioned where there is timber framing.



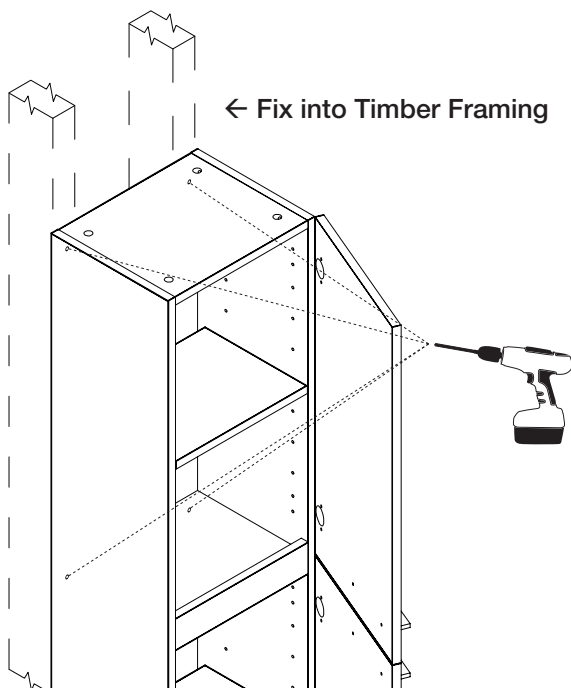
2. Mark your preferred mirror height on the wall and fix the mirror cabinet to the wall using 75mm screws. Special attention must be made to ensure the mirror cabinet is level.



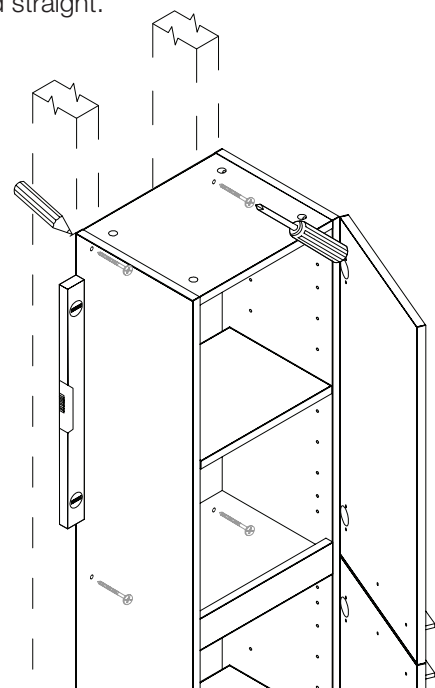
Wall Towers

⚠ Important! Before installing ensure there is sufficient timber framing in the wall to securely fasten your wall tower to.

1. Pre-drill 5mm holes as follows in the back of the wall tower. Holes will need to be positioned where there is timber framing.

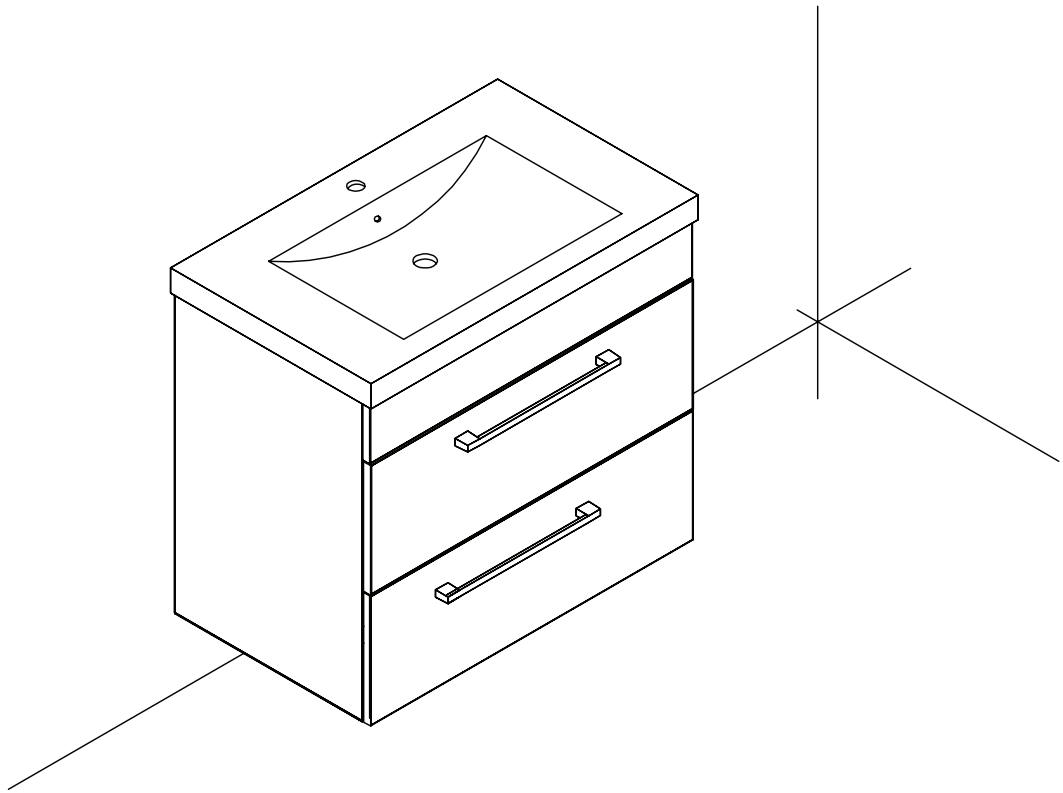


2. Mark your preferred wall tower height on the wall and fix the wall tower to the wall using 75mm screws. Special attention must be made to ensure the wall tower is level and straight.



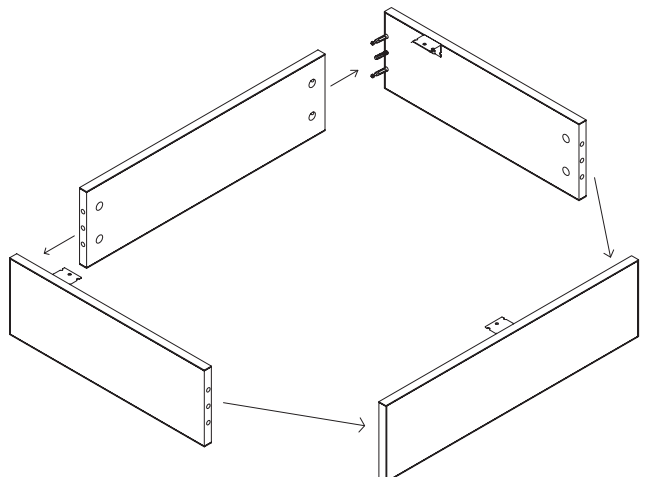
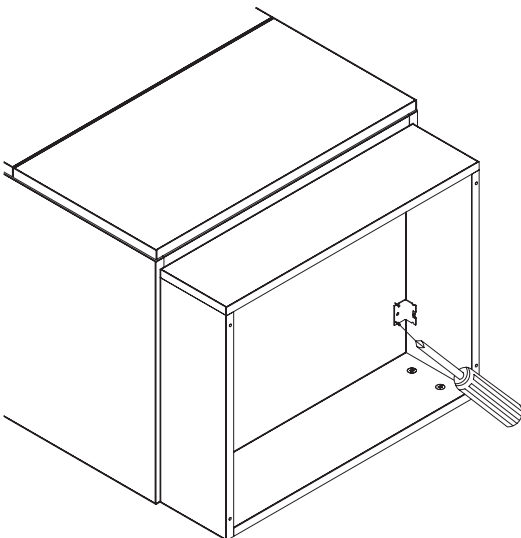
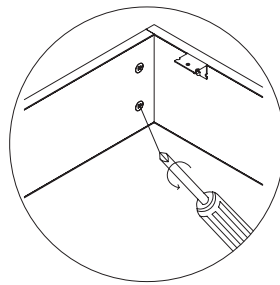
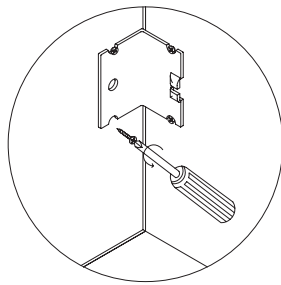
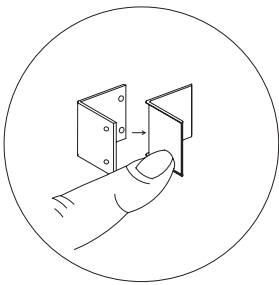
Toe-Kick/Base Removal

Floorstanding vanities can be mounted off the wall by removing the toe-kick/base. Follow the instructions below to remove the toe-kick and then follow the Wall Hung Vanities instructions for wall mounting.



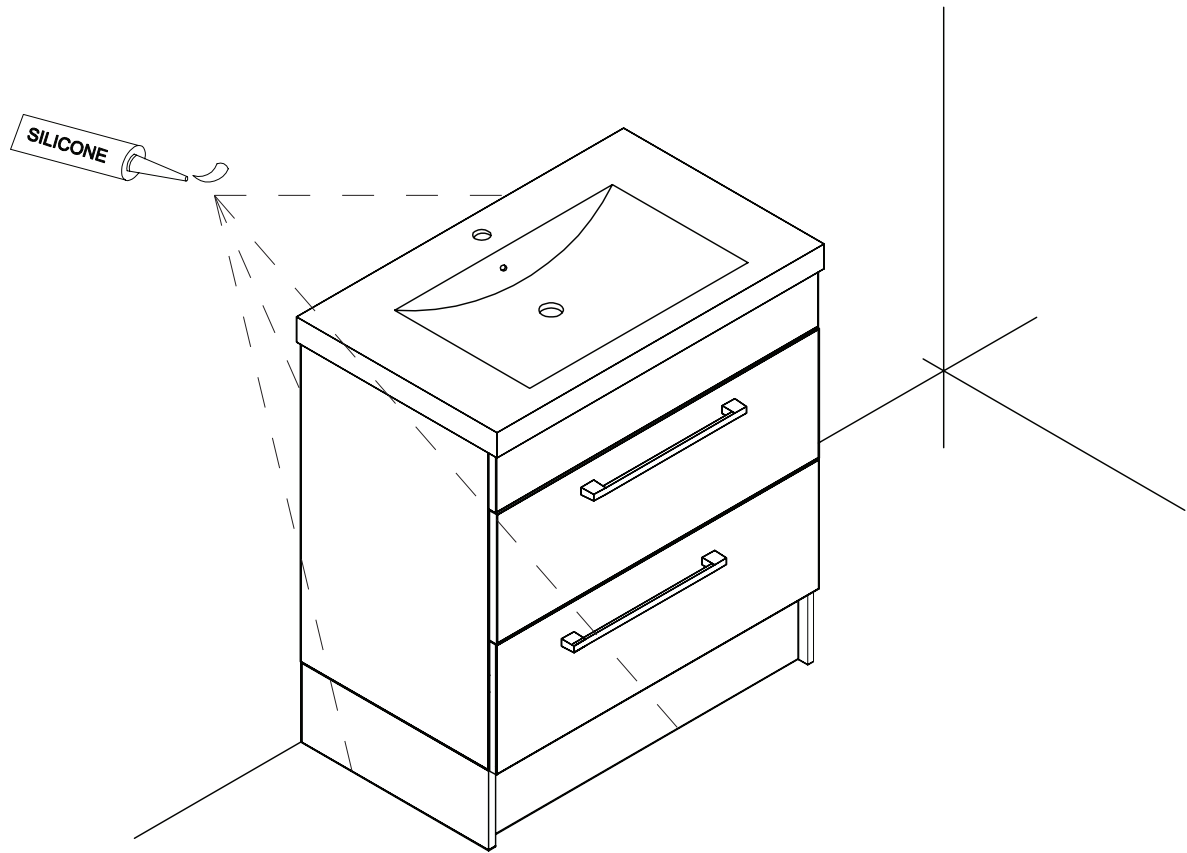
1. Tip the vanity on its back to access the toe-kick/base. Remove the plastic covers to access the brackets and unscrew the toe-kick/base from the cabinet.

2. Using your screwdriver loosen the cam locks 90° to disassemble the toe-kick/base.

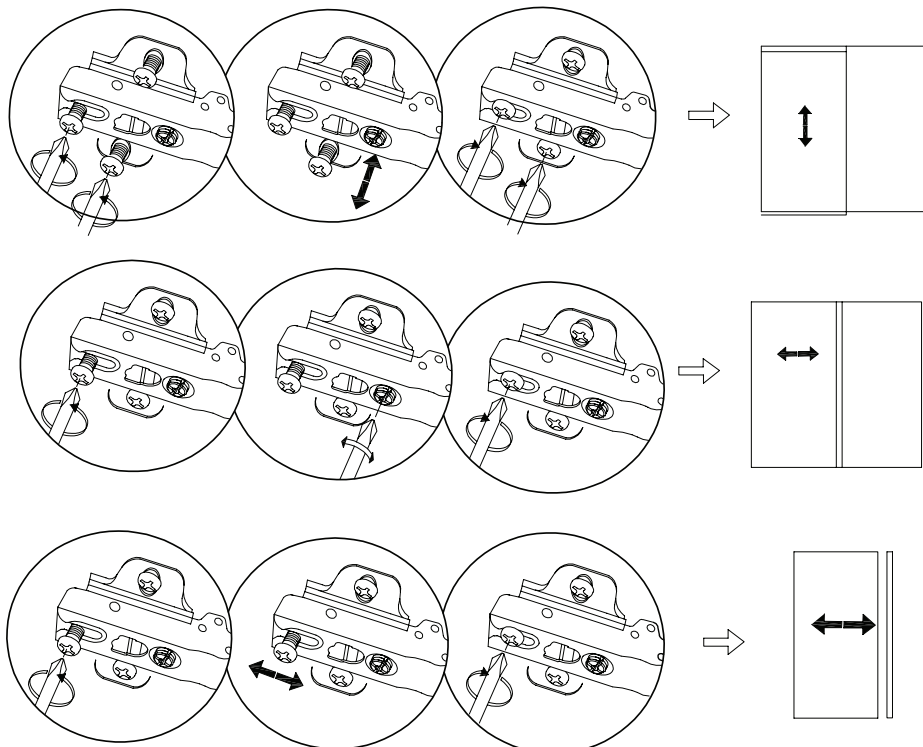


Sealing

⚠ **Important!** Before use a bead of sealant must be used to seal all edges where water penetration may occur - between cabinet and wall and between cabinet and floor. The warranty will be null and void if damage occurs after installation.



Hinge Adjustment

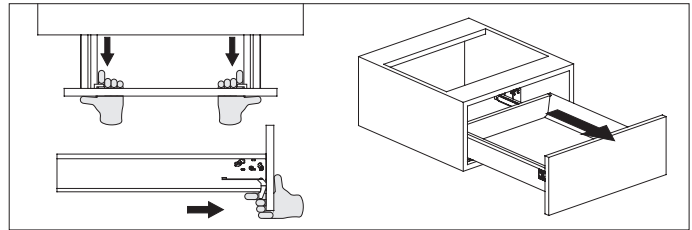


Drawer Adjustment & Removal

Cabinet drawers will need to be removed prior to the installation of the cabinet. Incorrect removal of the drawer will result in damage to the soft close mechanism.

Drawer Removal

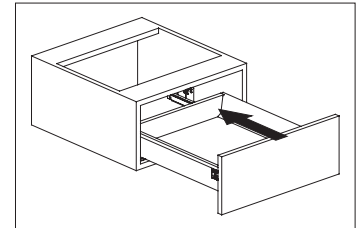
Located underneath the drawers are two levers, one on each side. While holding the drawer front, squeeze the levers and give the drawer a firm pull to remove it.



Drawer Re-Installation

Ensure the runners are pushed back into the cabinet. Place the drawer half on the runners and slide it back into the cabinet. The drawer will make two clicks when both drawer walls are locked into the runners.

Test by opening the drawer and checking that both runners are attached when opening. If not, one runner may need to be pushed into the drawer wall from behind.

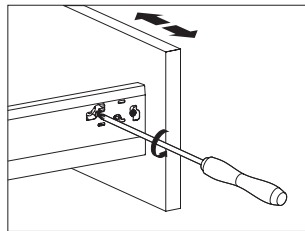


Drawer Adjustment

All drawers are aligned during assembly. However further adjustment is often required after installation. Please ensure the cabinet has not been twisted and installed correctly before adjusting.

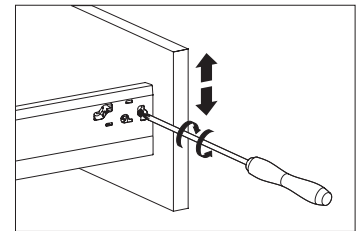
Horizontal adjustment (only found on the right hand runner)

Winding the adjustment screw will move the drawer to the right, winding it out will move it to the left. Only wind the screw a small amount and gently push the drawer front as it may stick.



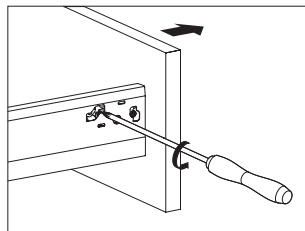
Vertical adjustment

The vertical adjustment is the larger set back screw found on both runners. Watch for change in height when winding the adjustment screw.

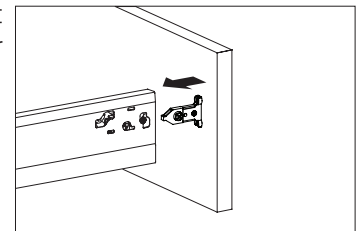


Drawer Front Removal

Turn the top screw to the left and up to release the drawer front for each drawer runner. Ensure the drawer stabilizer on the underside of the drawer base if fitted is disconnected.



To reattach the drawer front slide the pins on the drawer front back into the drawer wall. It will click into place when attached correctly.



Warranty Information

For full details about our warranty visit plumbline.co.nz/warranty-information

IMPORTANT NOTE: Under no circumstances tile vanity cabinets and/or tops 'into' the wall.

Progetto vanity cabinets & tops must be fitted to finished wall coverings. The Warranty does not cover any vanity and/or top that has been tiled 'into' a wall i.e., fitting or fixing a vanity to a wall and tiling into the side and around it, and/or tiling down and/or around the vanity top.