



Food Waste Disposers



Feed a disposer, starve a landfill!

In New Zealand, over 700,000 tonnes of food waste goes to landfills.

InSinkEerator food waste disposers divert food waste from landfills, where it produces methane, a harmful greenhouse gas.

Instead the food waste, which is typically 70-80% water, travels to the wastewater treatment plant where it can be converted to electricity.

Benefits of using one

- Convenient
- Hygienic
- Heavy duty induction motors
- Quietest on the market
- Reduces odours in your kitchen
- Reduces waste going into the bin
- Reduced food going to landfills
- Safe on septic tanks
- Easy to install (plumber recommended)
- Uses only \$2 of power annually
- Made in the USA
- Up to 10-year warranty



Advanced Technology

Engineered to handle even the toughest food waste with the least noise of any disposer, the Evolution Series is the most advanced line of food waste disposers available anywhere.



QuickLock™ Sink Mount

"Twist-on, twist-off" sink mount makes installation fast and easy.

SoundSeal™ Technology

Anti-Vibration Mount™ Quiet Collar™ & Sound Limiter™ technology.

MultiGrind™ Technology

3-stage design makes quick work of both hard and fibrous foods.

DuraDrive™ Induction Motor

Powerful, heavy-duty motors ensure high performance and long life.

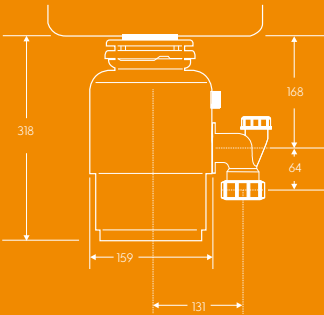
PowerBoost™ Micro Processor

Delivers more power to boost the grinding capability.

MODEL 46

Food Waste Disposer

The entry level InSinkErator Food Waste Disposer, suitable for lighter use in smaller households.



Basic Sound Reduction Technology



Air Switch Kit Available (33mm Hole For Button)



1 Stage Grinding System



0.55Hp Dura-Drive™ Heavy Duty Induction Motor



Grind Chamber 980ml Capacity



2-Year In-Home Warranty



Quicklock™ Sink Mount For Easy Installation



Made in the USA

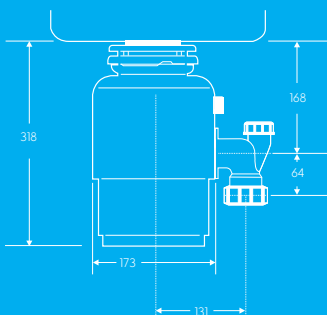
Product Code: Model46

InSinkErator reserves the right to change product specifications without prior notice. The disposers described are for household use. Usage in commercial situations is not covered by warranty.

MODEL 56

Food Waste Disposer

The Model 56 is our mid-range model is perfect for regular use in smaller households.



Basic Sound Reduction Technology



Built-in Air Switch
(33mm hole for button)



1 Stage Stainless Grinding System



0.55Hp Dura-Drive™
Heavy Duty Induction Motor



Stainless Steel Grind Chamber 980ml Capacity



3-Year In-Home Warranty



Quicklock™ Sink Mount
For Easy Installation



Made in the USA

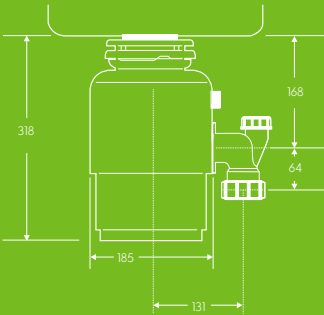
Product Code: Model56

InSinkErator reserves the right to change product specifications without prior notice. The disposers described are for household use. Usage in commercial situations is not covered by warranty.

MODEL 66

Food Waste Disposer

The top model in our standard range, offering high performance, continuous feed operation and able to handle a wide variety of food waste.



Basic Sound Reduction Technology



Built-in Air Switch
(33mm hole for button)



1 Stage Stainless Grinding System



0.75Hp Dura-Drive™
Heavy Duty Induction Motor



Stainless Steel Grind Chamber 980ml Capacity



4-Year In-Home Warranty



Quicklock™ Sink Mount For Easy Installation



Made in the USA

Product Code: Model66

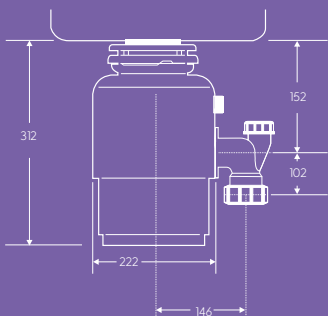
InSinkEerator reserves the right to change product specifications without prior notice. The disposers described are for household use. Usage in commercial situations is not covered by warranty.

EVOLUTION® 100

Food Waste Disposer

Featuring two-stage grinding combined with SoundSeal™ Plus technology, the Evolution 100 is more powerful and quieter than our standard range.

It virtually grinds any food waste, including difficult items such as bones and potato peel.



SoundSeal Plus™
Evolution Quieter
Technology



AIR SWITCH

Built-in Air Switch
(33mm hole for button)



MultiGrind Plus™ 2 Stage
Stainless Grinding System
with Auto Reverse Action



.75

0.75Hp Dura-Drive™
Heavy Duty
Induction Motor



1005 ml

Stainless Steel Grind
Chamber 1005ml
Large Capacity



5
YEAR
WARRANTY

5-Year In-Home
Warranty



Quicklock™ Sink Mount
For Easy Installation



Made in the USA

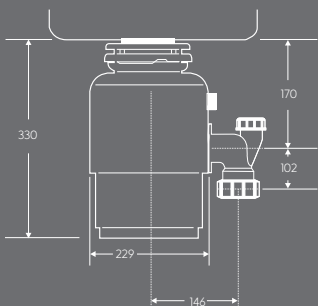
Product Code: EVO100

InSinkErator reserves the right to change product specifications without prior notice. The disposers described are for household use. Usage in commercial situations is not covered by warranty.

EVOLUTION® 200

Food Waste Disposer

The Evolution 200 with its three stage grind technology & SoundSeal™ Plus, makes it our most powerful & quietest model. Don't worry about what you can and can't grind... the Evolution 200 grinds 99% of all food waste.



SoundSeal Plus™
Evolution Quieter
Technology



**POWER
BOOSTER
CIRCUIT**
Micro Processor
for power to boost
grinding capability



MultiGrind Plus™ 3 Stage
Stainless Grinding System
with Auto Reverse Action



AIR SWITCH
Built-in Air Switch
(33mm hole for button)



1180 ml
Stainless Steel Grind
Chamber 1180ml
Large Capacity



.75
0.75Hp Dura-Drive™
Heavy Duty
Induction Motor



Quicklock™ Sink Mount
For Easy Installation



10
YEAR
WARRANTY
10-Year In-Home
Warranty

Product Code: EVO200

InSinkErator reserves the right to change product specifications without prior notice. The disposers described are for household use. Usage in commercial situations is not covered by warranty.



Made in the USA

in sink erator™

Brush'n'Push™

An innovative new sink tool that combines a dish brush with a pusher to help push food waste into a food waste disposer.



Brush'n'Push - ISE Blue
Product Code: BNPISEBlue



Brush'n'Push - Green
Product Code: BNPGreen



Brush'n'Push - Light Blue
Product Code: BNPLightBlue



Brush'n'Push - Orange
Product Code: BNPOrange



Brush'n'Push - Grey
Product Code: BNPGrey



Strong bristles for great dish cleaning



Keeps hands from touching food waste



Cleans dishes, pushes food waste & scrubs vegetables



Thick handle for easy non-slip grip



Keep your SinkRam clean by popping it in the dishwasher



Design allows brush to stand up on it's end



Color change indicates how far to push food waste into disposer



Rubberized dimples to grip food waste



Tips to managing food waste

Tip #1 - Shop Responsibly

Make a shopping list of items you need before you get to the supermarket. Only buy enough fresh foods for a week. Choose shelf-stable foods like canned goods, pasta, rice and legumes. Utilise your freezer to store bread, meats, vegetables and fruit.



Tip #2 - Plan meals & save leftovers

Taking an inventory of your pantry is a great first step to plan your meals and avoid food waste. Check expiration dates to use foods before they go bad. Plan meals that build on one another and provide leftovers for lunches and second meals.



Tip #3 - Use a food waste disposer

With even moderate use, food waste disposers are proven to reduce the amount of food waste in your trash by up to 30%. Using a disposal keeps stinky food scraps out of your trash and reduces harmful bacteria – all while diverting food waste from the landfill.



Tip #4 - Grind more than you would think

Today's food waste disposers enable you to grind more types of food waste than you may realize. Chicken bones, fruit pits and fibrous fruit and vegetable skins are all safe with proper usage.



Dispelling the myths

Does a disposer have blades?

No, food waste disposers do not have blades. They quickly and quietly grind food waste using swivel lugs and MultiGrind Technology™.

Does a disposer clog drains?

Modern disposers grind food waste into very fine particles. Also, food waste is 70-80% water, so easily travels through drains.

Does a disposer use a lot of water & power?

Although operating a food waste disposer does involve running water and using electricity, the environmental impact is minimal. Disposers use only about 1% of a household's total water consumption (about one flush of the toilet per day) and cost approximately \$2 per year in electricity to operate.

Are disposers noisy?

InSinkErator Sound Limiter insulation and Anti-Vibration Mount Technology mean the Evolution™ models can operate with minimal noise versus standard disposers. We also recommend installing a quality sink, which can eliminate vibration and noise.

Do you need a double sink?

A food waste disposer can be installed with both a single or double bowl sink. Check sink and food waste disposer dimensions for details.

You can't put that down a disposer?

A food waste disposer can handle a wide range of food waste including, fruits, veggies, chicken bones, fish bones. Tea bags, egg shells, avocado skins/ stones and celery.

Accessories

InSinkErator have a range of accessories for the Food Waste Disposers to customise the sink and colour match bench-tops.



Air Switch Covers



White Finish
Product Code: IP73274J



Matte Black Finish
Product Code: IP73274C



French Gold Finish
Product Code: IP73274G



Mocha Bronze Finish
Product Code: IP73274D

Stoppers



White Finish
Product Code: IP70117D



Matte Black Finish
Product Code: IP75094D



French Gold Finish
Product Code: IP75087D



Mocha Bronze Finish
Product Code: IP75073D

Sink Flanges



White Finish
Product Code: IP70908D



Matte Black Finish
Product Code: IP75090D



French Gold Finish
Product Code: IP75083D



Square Waste Sink Adapter
Product Code: IP80000

Strainers



Silver Saver Strainer
A strainer that stops cutlery going down the drain.
Designed to suit the following disposers
EVO200, EVO100, 66, 56, 46.
Product Code: IP72375D

Strainer Plug
InSinkErator Strainer Plug suitable for all models.
Product Code: IP75265



Spare Parts

InSinkErator® Spare Parts use an easy to assemble, do-it-yourself style collection for your kitchen to maintain and upkeep your InSinkErator®.



Installation Kit
For models 45, 46, 55, 56, 65, 66
Product Code: IP75226B



Tail Pipe Black
For models EVO100, EVO200
Product Code: IP75436



Removable Baffle
- Quiet Collar Sink Baffle
For models 56, 65, 65+, 66, EVO100, EVO200
Product Code: IP77960

Dishwasher Connector
Product Code: IPMA15



Jam-Buster Wrench
Product Code: IP8305D



Polished Stainless Steel Mounting Assembly
For models 56, 66, EVO100 and EVO200
Product Code: IP3173ED

Air Switch Button
For use with models with existing air switch
Product Code: IP75430B



Service & installation

InSinkErator have a network of service agents and plumbers to install your new food waste disposer. To find more call 0800 200 510 or visit our website: insinkerator.co.nz

A little history



1927

Tinkering with an idea and some sheet metal, Racine architect John W. Hammes invents the first food waste disposer.



The 1940s

Bob Cox, vice president of sales sold disposers to plumbers instead of appliance dealers and by 1952 he pitched the product out of pink Pontiac.



The 1950s

As television came of age, so did television advertising, using the power of celebrity endorsements of George Burns, Barbara Walters, and later Phyllis Diller.

The 1960s

Emerson Electric Co. purchases InSinkErator.



The 1970s

InSinkErator started producing Trash Compactor and Hot Water Dispensers.

The 1990s

New York City Department of Environmental Study concluded a two-year analysis, and approved the use of food waste disposers.



2000 and beyond

The Evolution Series® was launched coming with advanced sound, grind, anti-jam and antivibration technologies. The MultiTap was launched in the UK in 2016, providing near-boiling water, with standard hot and filtered cold water, all from one tap.



Safe on Septic

You'll find an InSinkErator food waste disposer in over 6 million American households with a septic tank.

InSinkErator Food waste disposers have always been safe for properly sized septic systems. For example, if your system is sized for a dishwasher or clothes washer, it can handle a disposer. A disposer uses only about as much water per day as one flush of a toilet. No fuss, no mess, no problem . . . and no reason to deny yourself the convenience and hygiene of an InSinkErator food waste disposer.

Benefits of having a food waste disposer

- Keeps your kitchen hygienic & clean
- Quietest models on the market
- Can reduce nitrogen and phosphorus into drainage fields
- Reduce waste going into the bin
- Reduce smells coming from bin
- Uses only \$2 of power a year
- Uses around one flush of the toilet of water per day
- Grinds eggs shells, banana skins, avocado peel & pips, chicken & fish bones
- Nationwide installation & service
- Up to 10 year warranty

in sink erator®

For the full story go to:
insinkerator.co.nz
Call: 0800 200 510
Email: info.parex@emerson.com

