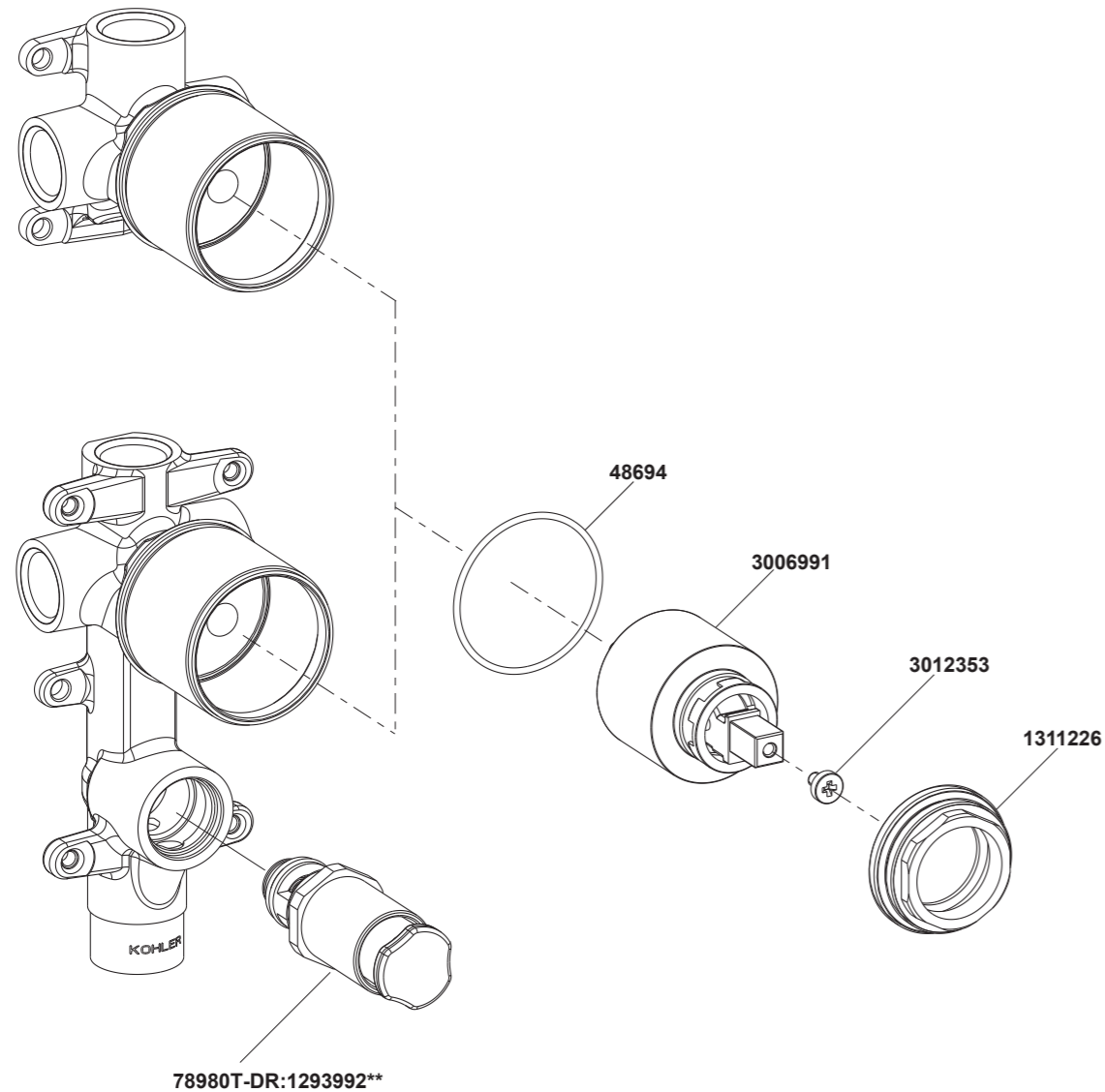


78980T-DR 40MM Bath Shower Valve With Diverter  
 78981T-DR 40MM Shower Only Valve



\*\*Color code must be specified when ordering

78980T-DR 40MM Bath Shower Valve With Diverter  
 78981T-DR 40MM Shower Only Valve

## BEFORE YOU BEGIN

All information is based on the latest product information available at the time of publication. Kohler Co. reserves the right to make changes in product characteristics, packaging, or availability at any time without notice.

Please leave these instructions for the consumer. They contain important information.

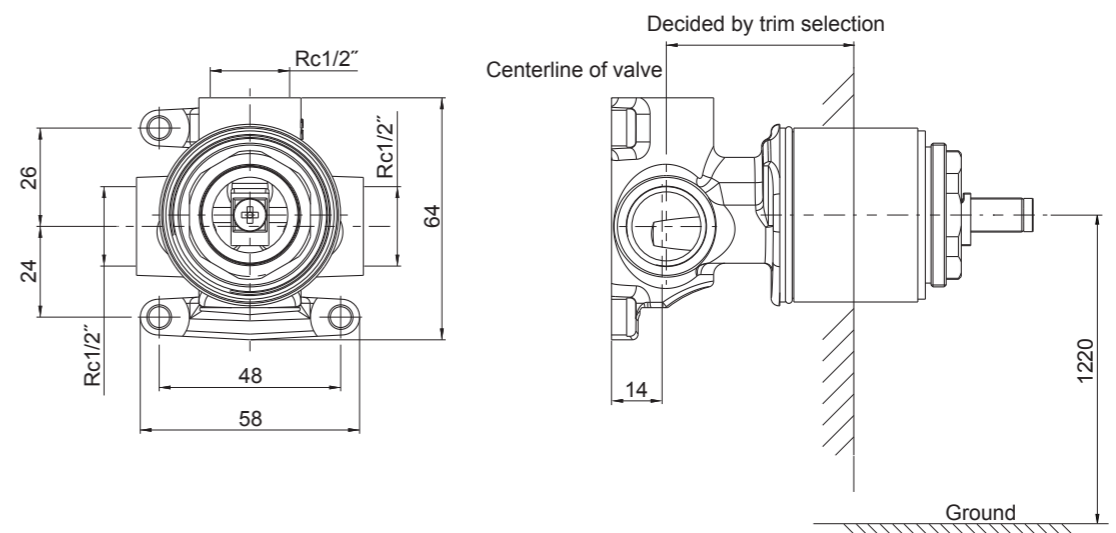
### NOTES:

1. The dimension from the finished wall to the centerline of the valve decided by the trim selection.
2. An inline water filter must be used with this product.
3. Flush the water supply pipes thoroughly to remove debris.
4. Observe all local plumbing and building codes.
5. Shut off the main water supply.
6. Do not remove the rubber protectors from the valve body until instructed to do so.
7. Check for leaks before covering the pipes, repairs as needed.
8. Inlet & outlet threads of valve are Rc1/2".
9. Please ensure only apply water pressure test on the product, and empty the air in pipe and faucet thoroughly before the test. Please ensure test pressure below 0.8MPa(8bar) and test duration within 30 minutes.
10. All installations should comply with the relevant requirements of AS/NZS 3500.

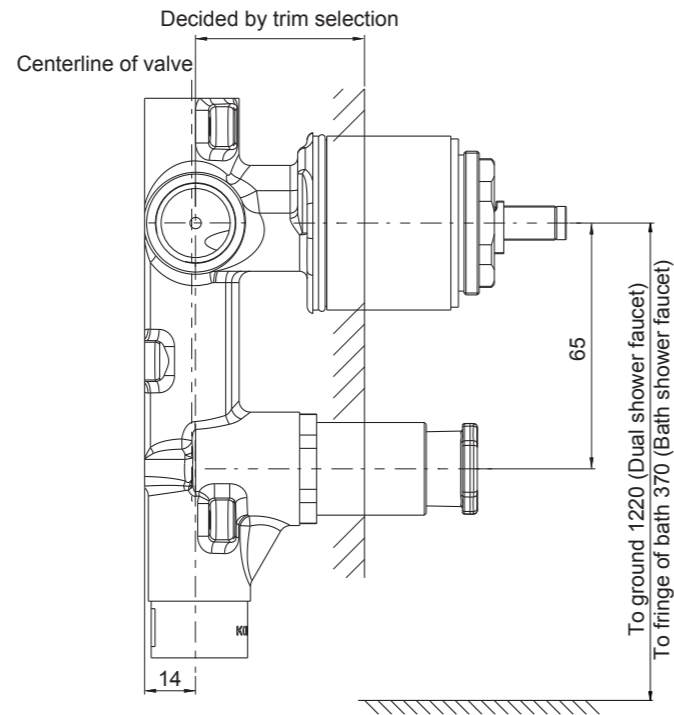
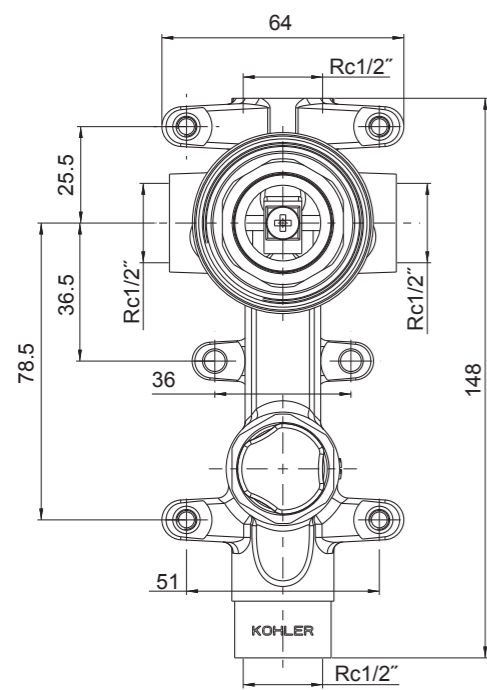
## HANDLE OPERATION

For 78980T-DR, lift diverter, turn clockwise until it stops for shower, turn counter-clockwise until it stops for bath spout.

## ROUGH-IN DIMENSIONS

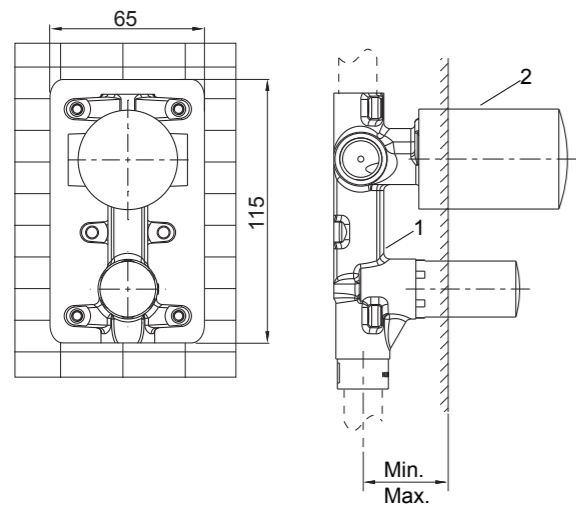


78981T-DR



78980T-DR

## INSTALLATION

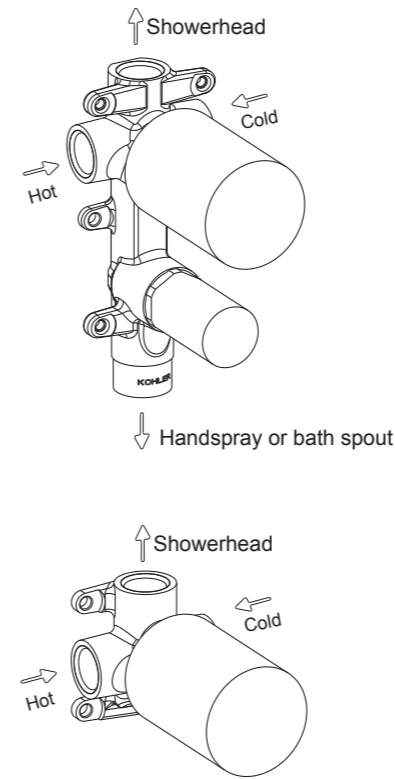
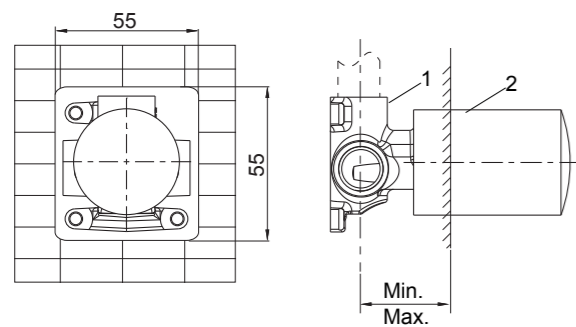


Flush the water supply pipes thoroughly to remove debris before installation. Shut off the main water supply. Determine a suitable location on the wall to install the valve body.

Be sure the valve body(1) is in correct direction. During installation, keep valve protectors(2) on valve body.

The Min. and Max. dimensions between the centerline of the valve and the outside of the finished wall are decided by trim selection.

**NOTE:** Ensure the valve is horizontal, and perpendicular to the wall.



Supply enough tape or sealant to all connections. Connect R1/2" hot and cold supplies, showerhead and bath pipings to valve body. Connect hot supply to the end on the left.

Install temporary nipples for showerhead and bath spout. During installation, keep valve protector on valve body.

## CLEANING INSTRUCTIONS

All Finishes: Clean the finish with mild soap and warm water. Wipe entire surface completely dry with clean soft cloth. Many cleaners may contain chemicals, such as ammonia, chlorine, toilet cleaner etc, which could adversely affect the finish and are not recommended for cleaning.

Do not use abrasive cleaners or solvents on Kohler faucets and fittings.