

Planning & Installation Information



Kiko

Guideline Overview

1

Homeowner Message

Understand your role in the project.

2

Product Specification

Selection of product and general product specifications, this could be useful for your installer

3

Site Preparation

These are site preparation instructions for your builder to follow. We recommend that you discuss the Site Preparation Instructions with your builder so you both understand exactly what is to be completed prior to product installation. If Site Preparation instructions are not followed then this could void your St Michel Warranty

4

General Installation Info

Installation information is for your builder and your plumber as they will split the tasks on the job. Note that plumbers will take varying degrees of involvement during installations. Make it clear to both of them that points 1-8 must be followed. If General Installation Instructions are not followed then this could void your St Michel Warranty

Homeowner Message

PLEASE READ THIS IF YOU ARE THE HOMEOWNER

Thank you for choosing St Michel bathroom furniture. We are keen to help you achieve a beautiful functioning bathroom by offering some important guidance around the installation process.

You have a very important role to play

Creating or renovating a bathroom is not a simple exercise so you will need to rely on a professional tradesperson. However it is important that you take an active role in over-seeing some of the tasks your tradesperson performs.

Ask your Builder & Installer to follow the instructions in this information pack

By asking your Tradespeople to follow these instructions you will ensure:

- They will properly understand your desired bathroom layout
- They will clearly understand that you expect walls to be prepared and furniture to be installed to St Michel guidelines
- You will ensure that your St Michel bathroom furniture operates and performs for many years to come and is covered by our Warranty. Failing to do so could affect your warranty.

1 Identify the room your product should be installed

Identify Room here

2 Your Special Instructions to the installer

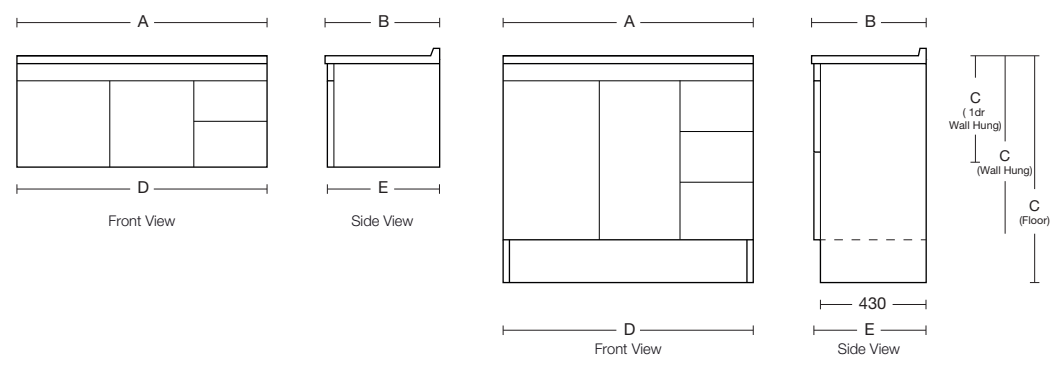
SOME EXAMPLES OF SPECIAL INSTRUCTIONS YOU MAY WANT TO CONSIDER

Vanities	Side Furniture	Mirrors and Lighting
State preferred height of wall mounted vanity.	Consider finished height of low furniture.	Mirror height : Consider all user heights.
Do you want a side 'packer' installed between the vanity and wall?	Allowing for power inside side storage?	Opening and closing mirror cabinet doors must clear tapware.
Special waste overflow upgrade.	Install on correct side of vanity.	Offset a recessed mirror at least 20mm off wall to easily open doors.
Ensure plumbing position(s) suit vanity configuration.	Side furniture door should open away from vanity. i.e. Easy access.	Allowing for power inside cabinet?
Install clear distance to protect from shower spray.	Are you recessing side furniture into wall? Preferred depth?	Power for lights, demister pads and preferred switch positions.
Are you installing a towel rail on the vanity?	Height off floor for tall furniture.	Solo mirrors can be mounted portrait or landscape.

Cabinet Specification



Kiko						
	Description	A - Ceramic/Acylic	B	C - Ceramic/Acrylic	D	E
<input type="checkbox"/>	Kiko Wall 750 1d 2dr	755/750	460	430/450	744	450
<input type="checkbox"/>	Kiko Wall 750 1d 3dr	755/750	460	680/700	744	450
<input type="checkbox"/>	Kiko Floor 750 1d 3dr	755/750	460	830/850	744	450
<input type="checkbox"/>	Kiko Wall 900 2d 2dr (C/L/R)	915/900	460	430/450	894	450
<input type="checkbox"/>	Kiko Wall 900 2d 3dr (C/L/R)	915/900	460	680/700	894	450
<input type="checkbox"/>	kiko Floor 900 2d 3dr (C/L/R)	915/900	460	830/850	894	450
<input type="checkbox"/>	Kiko Wall 1200 2d 2dr	1215/1200	460	430/450	1194	450
<input type="checkbox"/>	Kiko Wall 1200 2d 3dr	1215/1200	460	680/700	1194	450
<input type="checkbox"/>	Kiko Floor 1200 2d 3dr	1215/1200	460	830/850	1194	450
<input type="checkbox"/>	Kiko Wall 1200 Double 2d 2dr	1215/NA	460	450/NA	1194	450
<input type="checkbox"/>	Kiko Wall 1200 Double 2d 3dr	1215/NA	460	700/NA	1194	450
<input type="checkbox"/>	Kiko Floor 1200 Double 2d 3dr	1215/NA	460	850/NA	1194	450



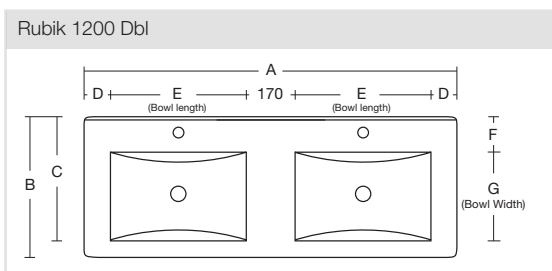
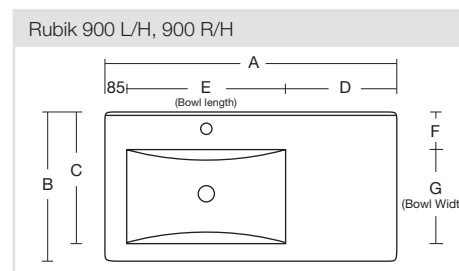
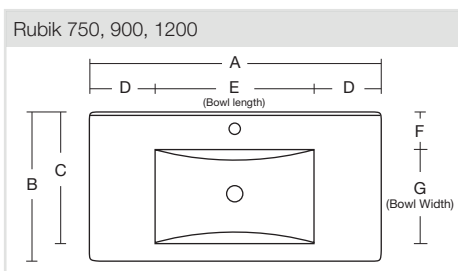
Revised: 12/2015

Basin Specification

RUBIK BASIN ceramic



Rubik							
Description	A	B	C	D	E	F	G
Rubik 750	755	460	390	155	450	115	270
Rubik 900	915	460	390	210	490	115	270
Rubik 900 L/H	915	460	390	310	490	115	270
Rubik 900 R/H	915	460	390	310	490	115	270
Rubik 1200	1210	460	390	350	490	115	270
Rubik 1200 Dbl	1210	460	385	110	415	115	270



Standard Tap Size	35 mm
Standard Waste Size	32 mm
Basin Depth	130 mm
Depth to Overflow	100 mm

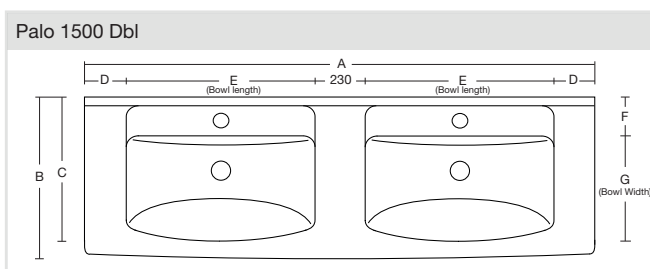
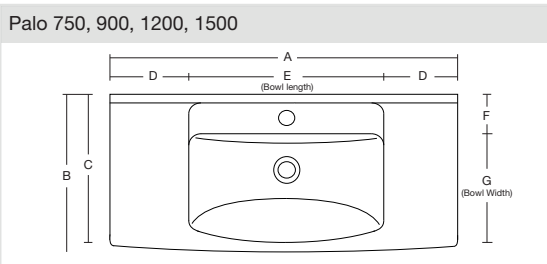
All dimensions are in millimeters nominal. Revised: 12/2015

Basin Specification

PALO BASIN acrylic



Palo							
Description	A	B	C	D	E	F	G
Palo 750	750	460	420	115	510	120	300
Palo 900	900	460	420	190	510	120	300
Palo 1200	1200	460	420	340	510	120	300
Palo 1500	1500	455	415	495	515	115	300
Palo 1500 Dbl	1500	455	415	115	515	115	300

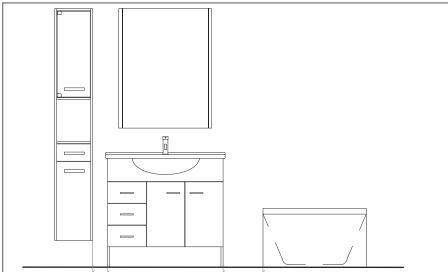


Standard Tap Size	35 mm
Standard Waste Size	32 mm
Basin Depth	95 mm

All dimensions are in millimeters nominal. Revised: 12/2015

Site Preparation

1 POSITIONING

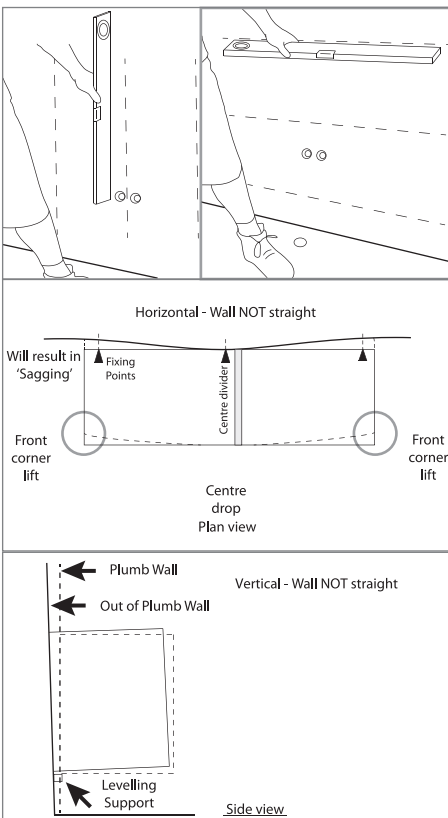


FURNITURE POSITION IS IMPORTANT

When deciding on the position of the furniture, be sure to arrange the product at least 150mm from any wet areas such as baths, spas and showers. Ensure that the floor is level (floor mounted) and that the wall is straight and plumb.

Note: Do not expose furniture to shower spray - A good quality shower screen must be fitted to the bath or shower to keep the furniture dry and prevent water damage

2 CHECK LEVELS



CHECK FOR PLUMB WALLS AND LEVEL FLOOR

WALLS:

When installing a vanity (furniture) to a wall it is essential that the wall is plumb and straight. If it is not possible to make the wall plumb and straight you must pack the vanity out so that it does not follow the out of aligned wall.

WARNING:

Fixing the vanity on a wall that is not plumb and straight will result in the following:

- Cabinet will sag as illustrated
- Cabinet will twist out of alignment and not be plumb
- Drawers will not function as designed i.e. They will appear racked, will not run correctly or smoothly and if self-closing, will not close on their own
- Doors will not align or be able to be adjusted to align
- Vanity/ basin will appear to have an accentuated twist

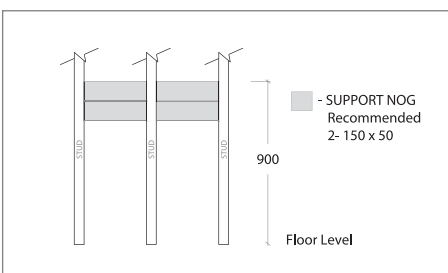
FLOOR:

As with wall hung vanities, floor standing vanities must sit on a level floor or be packed so they sit level and true

WARNING:

Fixing a vanity to a floor that is not level will result in the same adverse symptoms that appear with Drawers/Doors and Vanity

3 POSITIONING



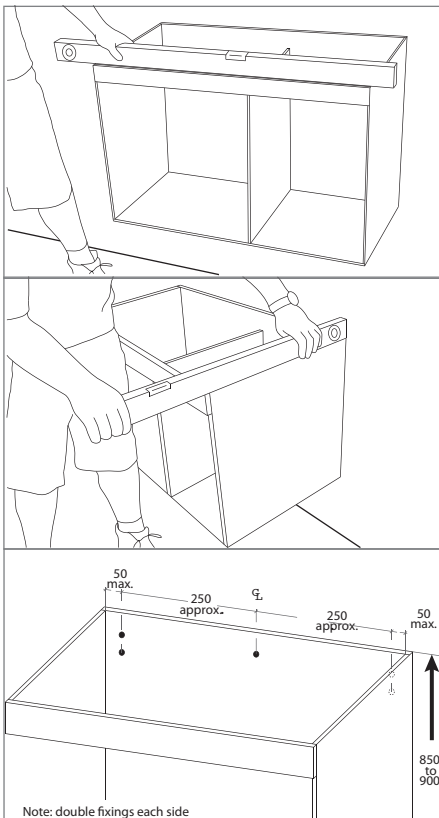
SUPPORT NOGS

Wall hung furniture and VC basins that require wall fixing. Support nogs are to be fitted between the studs, as detailed, to give a solid wall backing to attach the vanity. Fix the top nog at 900mm above the floor and ensure the total width exceeds the vanity width.

Installation Instructions

- 1 We recommend that a qualified, licensed tradesperson install this vanity and we would expect the installation to be undertaken in a tradesman like manner and finished to a tradesman standard.
- 2 This product carries a full warranty against faulty workmanship and materials. Please inspect thoroughly before installation to ensure that the unit has not been damaged in transit.
- 3 Ensure that the water temperature does not exceed 55°C for safety and to avoid possible damage to your vanity basin

4 CABINET INSTALLATION



WALL HUNG & FLOOR STANDING FURNITURE

Remove the doors and/or drawers to provide access to the inside rear of the cabinet (note that all hinges are quick release for easy removal).

For wall hung vanities - mark the position of the top of the vanity. The work surface would typically be set at a height of 850mm to 900mm. If the top (basin) is packed separately deduct the thickness of the top from the finished height to determine the correct height for the top of the cabinet. Drill holes for plumbing in the back panel or base of the cabinet with an appropriate sized hole saw.

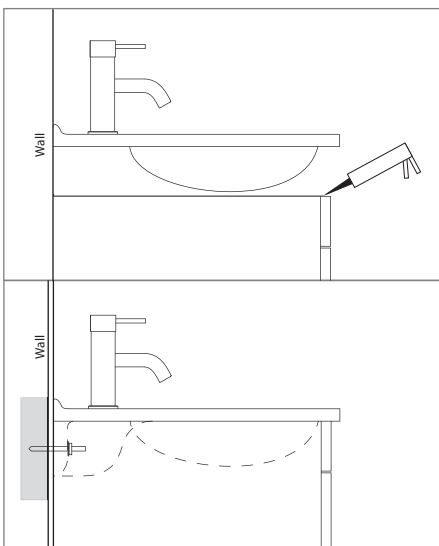
WARNING: Do not secure the unit to the wall until the vanity is sitting level, plumb and square. Use suitable packing to achieve this if the wall cannot be aligned.

Position unit and check that it is sitting level, plumb and square.

Screw Fixing: For wall hung vanities. Fixings must be into solid timber and must be no more than 50mm from each side of the cabinet. The installer must provide additional fixing points evenly spaced at approximately 250mm centres along the top of the back panel.

Floor standing vanities should likewise, be checked for sitting level plumb and square and suitably packed to achieve this. Screw fix to the wall to secure either through the back rail or back panel.

5 TOP INSTALLATION



FITTING TOPS TO FURNITURE

Acrylic & Mineral Cast Tops

If the top is not attached to the cabinet, fit the taps and waste then glue it to the top of the cabinet with a continuous bead of Expandite SB adhesive, Panel Bond or something similar.

Ceramic & Ceramic Quartz Tops

During the complex manufacturing process ceramic tops shrink considerably and can be slightly uneven. It is recommended that a top be fixed to the cabinet with a continuous bead of silicone so the top will not rock or move. Apply the silicone to the top edges of the cabinet then position the top. If the cabinet is wall hung then the ceramic top should also be fixed to the solid timber in the wall with the fasteners packed with the top.

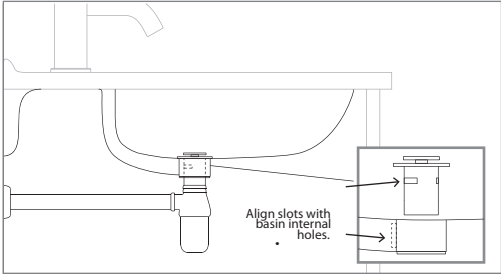
NOTE: Not all ceramic tops are designed to be wall fixed

Please ensure that the Warranty and Conditions of Use card is left in the cabinet for the homeowner.

Revised: 12/2015

Installation Instructions

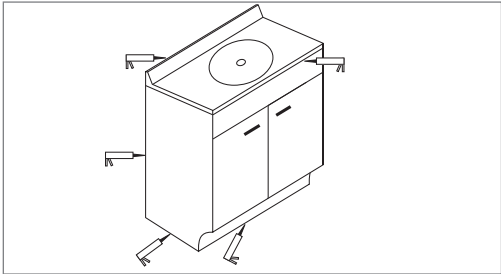
6 WASTE INSTALLATION



FITTING WASTE CORRECTLY

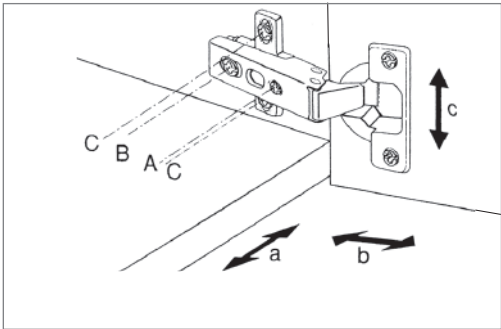
In a ceramic basin, hand tighten the waste - do not overtighten or the basin may be damaged. Use suitable overflow waste and align the slots with the internal holes in the basin and ensure that no excess silicone or putty is obstructing the water flow.

7 SEALING



Materials used for the construction of this unit are water resistant and not waterproof. A bead of sealant (specifically formulated for bathrooms) must be used to seal edges where water penetration can occur i.e. Between the cabinet and the wall and the floor, between the vanity top and the top edge of the cabinet and between the vessel basin and the top of the surface. Take care to dry any spillage or leakage of water onto or into the cabinet during installation.

8 HINGE ADJUSTMENT



It is the responsibility of the installer to make any adjustments to align doors after installation if required.

St Michel use clip hinges which require only light finger pressure top clip into place and allow the doors to be easily removed for access to plumbing fittings.

DOOR ALIGNMENT

Your doors have been adjusted in the factory on a level surface to achieve matching height, equal gap and surface alignment. Before you adjust the doors, ensure again that the vanity is level and true and not twisted. When level, if the doors still do not align, adjustment can be made to the hinges as follows:

A. SIDE ASJUSTMENT

To move the doors sideways in total or to level each door, turn screw A clockwise or anticlockwise.

B. DEPTH ADJUSTMENT

To move the door inward or outward from the carcass - loosen the hinge arm fastening screw B and slide in the direction you want to go. Retighten hinge arm fastening screw B

C. HEIGHT ADJUSTMENT

Loosen the top and bottom screw C on each mount plate, adjust and retighten.

IMPORTANT WARRANTY NOTICE

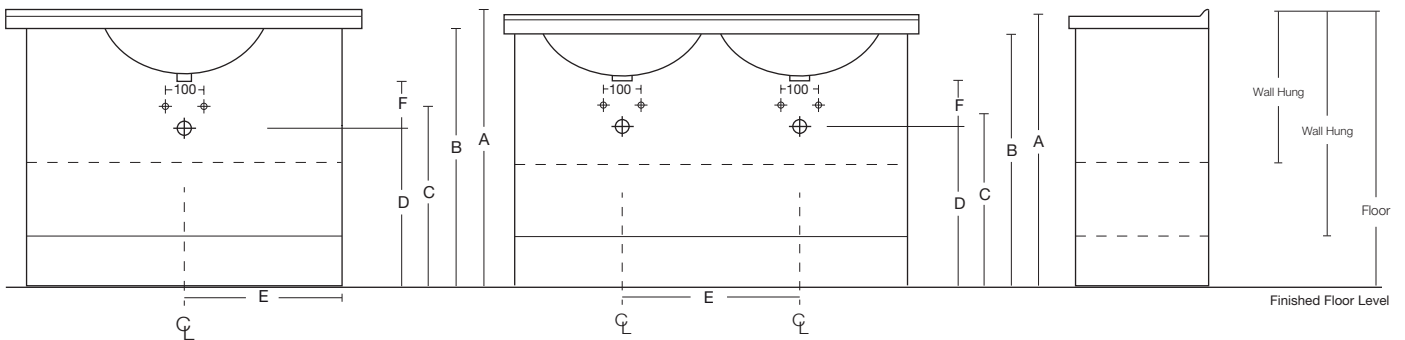
Please note that in the event that the vanity is not installed in accordance with these instructions the St Michel warranty may void any warranty. Any modifications to the product will void any warranty. Please ensure that the Warranty and Conditions of Use Card is left in the cabinet for the homeowner.

Plumbing Positions

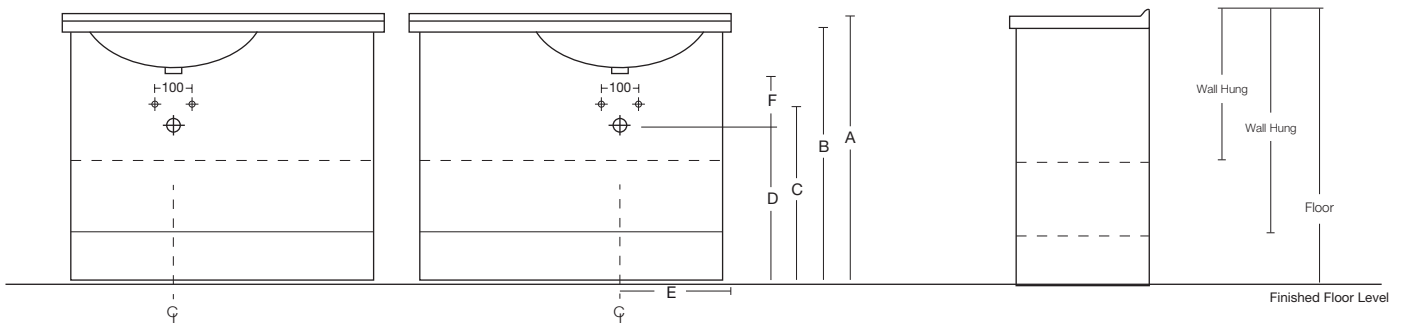
PLEASE NOTE: With wall hung vanities, we suggest you adjust the measurements to suit your individual height preference

Kiko 750, 900,1200 Centre

Kiko 1200 Double



Kiko 900 Left and Right



Description	Basin Size	Basin Type	A	B	C	D	E	F
			(Basin Top)	(Cabinet Height)				
Palo	Single 750, 900, 1200	Palo - Acrylic	820	800	630	560	⌀ Basin	110
Rubik	Single 750, 900, 1200	Rubik - Ceramic	820	800	590	530	⌀ Basin	110
Rubik	Double 1200	Rubik - Ceramic	820	800	590	530	600	110
Rubik	Single 900 Left & Right	Rubik - Ceramic	820	800	590	530	345	110

Standard Supply		<p>If you increase or decrease height of basin (i.e. dimension A) then C + D dimensions must be amended accordingly.</p> <p>F measurement is boottom of basin outlet to centre of wall waste pipe - if another waste trap is used, you will have to confirm F measurement suits or adjust accordingly.</p> <p>NOTE: Waste outlet positioned for standard chrome bottletrap and pop-up basin waste.</p>
Tap Hole	1	
Colour	White	
Integral Overflow	YES	

Revised: 12/2015

St Michel Industries Ltd, PO Box 21 122, Henderson, Auckland | Phone: 09 837 4276 | www.stmichel.co.nz