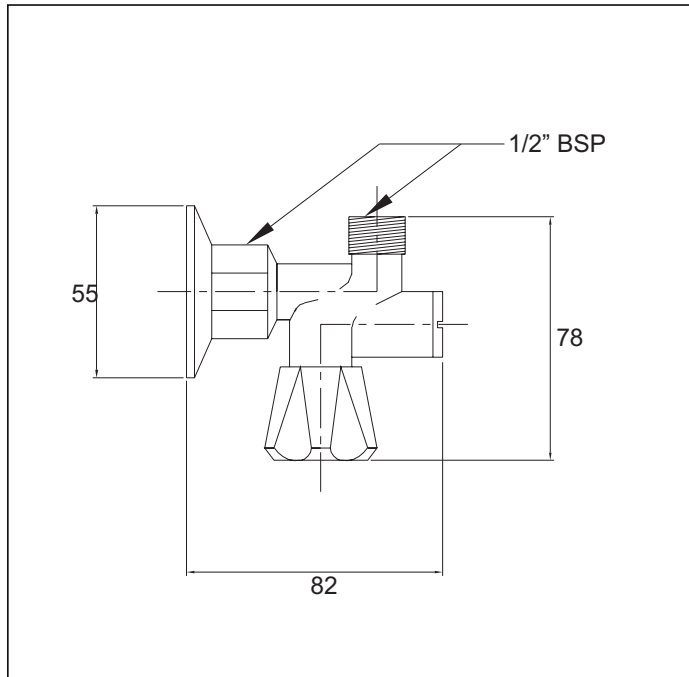


# Kmercial

## Isolator Filter Stop



**Code: KM ISSSF**

**Finish:** Cadmium Plating

Stainless Steel Mesh Filter

**Water Inlet:** 1/2" BSP female

**Water Outlet:** 1/2" BSP male

(Includes backing flange)

- Uses:**
- Filtering
  - Flow Control
  - Shut-OFF valve

Handy Tip: When used in very high pressure applications it is challenging to achieve a fine flow due to compression of washer. In high pressure applications use of a ball valve or fixed flow regulator is recommended

aquatica



KIWI OWNED COMPANY

**NZ** • DESIGNED  
• ASSEMBLED  
• TESTED

**Aquatica NZ Limited**

9 Saunders Place,  
Avondale, Auckland.  
Tel: 09-828 2068,  
Fax: 09-828 2069  
Email: [info@aquatica.co.nz](mailto:info@aquatica.co.nz)  
or visit our website:  
[www.aquatica.co.nz](http://www.aquatica.co.nz)

© copyright Aquatica 2019

**No WELS rating required**