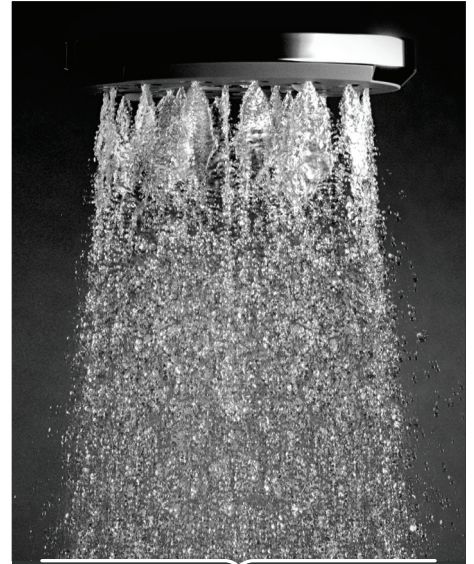


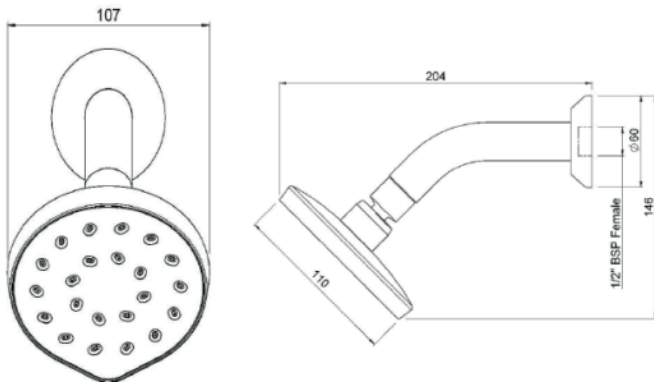
### Satinjet®

#### KIRI II SJET WALL SHOWER ON ARM



Satinjet®. The unmistakable feeling of 300,000 droplets per second.

Unlike conventional showers, Satinjet uses unique twin-jet technology to create optimum water droplet size and pressure, with over 300,000 droplets per second providing greater warmth and coverage. The result is an immersive, full-body experience.



**CONSTRUCTION:** Brass arm

**CLASSIFICATION:** Suitable for **all pressure** systems

**INLET CONNECTIONS:** 1/2" BSP Female

**WORKING PRESSURE:** 35 - 500kPa

**OPERATING TEMPERATURE:** 5 °C - 70 °C

**WATERFLOW RATE:** 8.5 l/m (mains pressure) - 11.0 l/m (low pressure)

- Low maintenance single function Satinjet® shower
- Easy clean coating on faceplate
- Stylish and durable brass arm
- Optimized at 9.0 l/pm
- 3 star WELS rated on mains pressure (8.5 l/m)
- 2 star WELS rated on low pressure (10.5 l/m)

KRCACPGR

Chrome

<http://www.methven.com/nz/kiri-satinjet-wall-shower-on-conventional-arm>