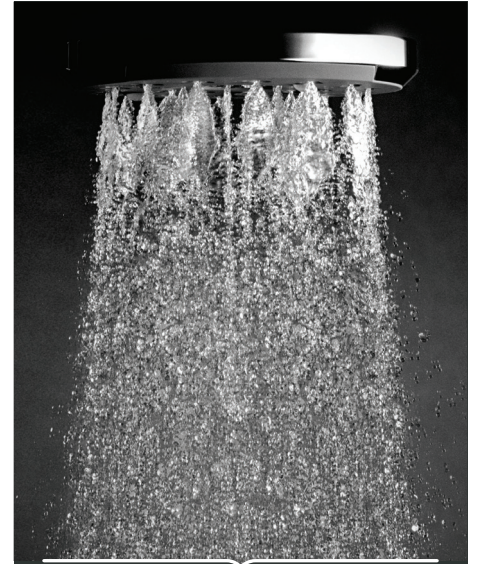
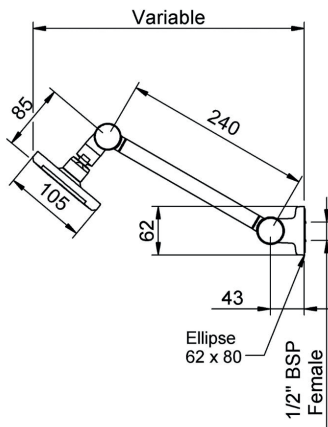


Satinjet®

KIRI II SATINJET HI RISE SHOWER



Satinjet®. The unmistakable feeling of 300,000 droplets per second.

Unlike conventional showers, Satinjet uses unique twin-jet technology to create optimum water droplet size and pressure, with over 300,000 droplets per second providing greater warmth and coverage. The result is an immersive, full-body experience.

CONSTRUCTION: Brass arm

CLASSIFICATION: Suitable for **all pressure** systems

INLET CONNECTIONS: 1/2" BSP Female

WORKING PRESSURE: 35 - 500kPa

OPERATING TEMPERATURE: 5 °C - 70 °C

WATERFLOW RATE: 8.5 l/m (mains pressure) - 6.5 l/m (low pressure)

- Low maintenance single function Satinjet® shower
- Easy clean coating on faceplate
- Stylish and durable, height adjustable, hi rise arm that will never droop or leak
- Easy positioning with just one hand, no tightening required
- Optimized at 9.0 l/pm
- 3 star WELS rated on mains pressure (8.5 l/m)
- 3 star WELS rated on low pressure (6.5 l/m)

KRHRCPGR

Chrome

<http://www.methven.com/nz/kiri-satinjet-hi-rise-shower>