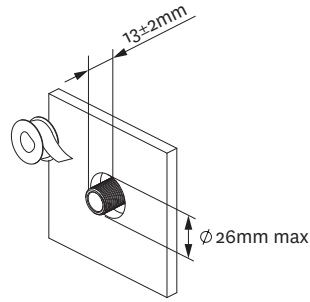


Elbow Installation (if supplied):

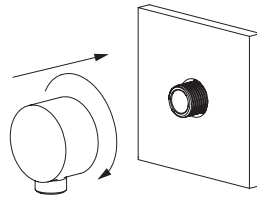
Step 1

- Install ½" BSP nipple at the desired elbow position.
- Wall lining hole should be cut or finished as per the dimension shown in the diagram on the right.
- Cut off the threaded nipple 13±2mm from the wall lining and apply thread seal tape to ensure a good seal.



Step 2

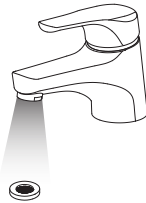
- Screw the elbow onto the nipple ensuring that the o-ring is sufficiently compressed to create a watertight seal.
- Ensure that the elbow is oriented vertically with the outlet oriented downwards.



Care and Cleaning:

Never use abrasives or abrasive cleaning agents to clean this product. Clean regularly with contamination free warm soapy water and a damp soft cloth.

Periodically the filter washer should be removed from the end of the shower hose and cleaned.



Methven warrants this product against manufacturing defects and that it is suitable for use under the general operating conditions specified in this instruction sheet. However, regional regulations apply and may affect your warranty. Please refer to www.methven.com or call customer service for full details.

New Zealand
0800 804 222

Australia
1300 638 483

UK
0800 195 1602

439994

ISSUE A

ROUND RAIL Installation Guide

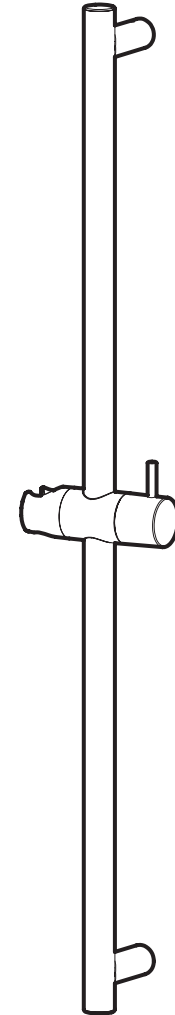
Technical Specifications:

Inlet Connections:

All ½" BSP

** Regional specific regulations apply.*

Please refer to your warranty statement at
www.methven.com



METHVEN
www.methven.com

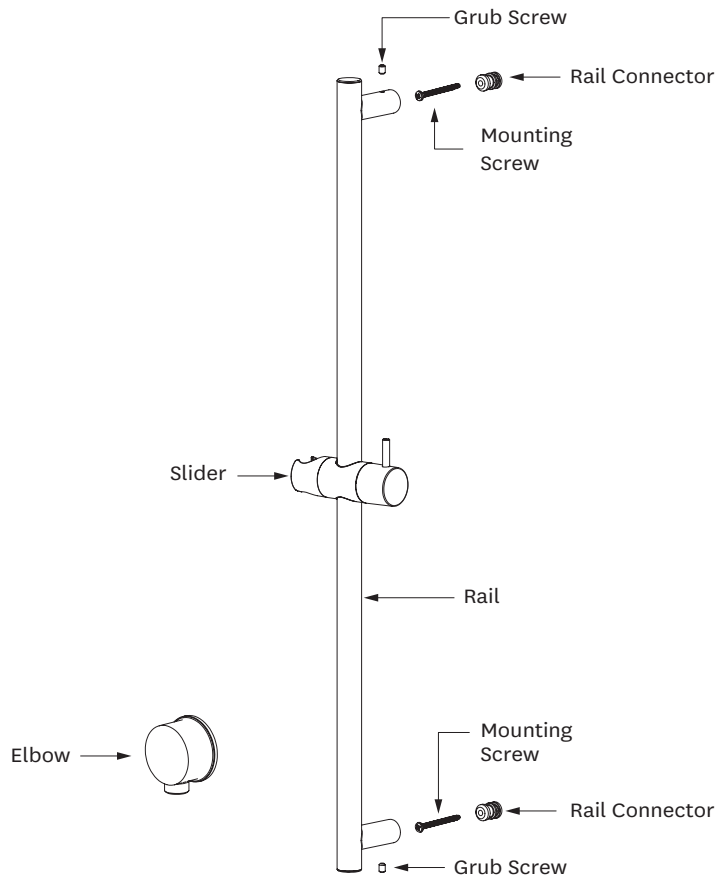
IMPORTANT: Please read all of the instructions before installation.

General:

- This product must be installed in compliance with all relevant regional regulations.
- It is the responsibility of the installer to ensure a waterproof seal is achieved between the product and mounting surface. If in doubt about the quality of the seal, remove the product and reinstall using silicone to ensure a seal is achieved.
- All pipe work must be thoroughly flushed prior to the installation of the hose.
- After installation all connections must be checked for leaks.
- All outlets used primarily for personal hygiene shall deliver water at a safe temperature as per regional regulations.

Step 1

- Mount the rail connectors in desired position with the screws. Check the connectors are vertically aligned



Step 3

- Check the grub screws in the rail brackets are wound out.
- Match the rail brackets to the connectors and push rail into place.
- Tighten grub screws top and bottom

