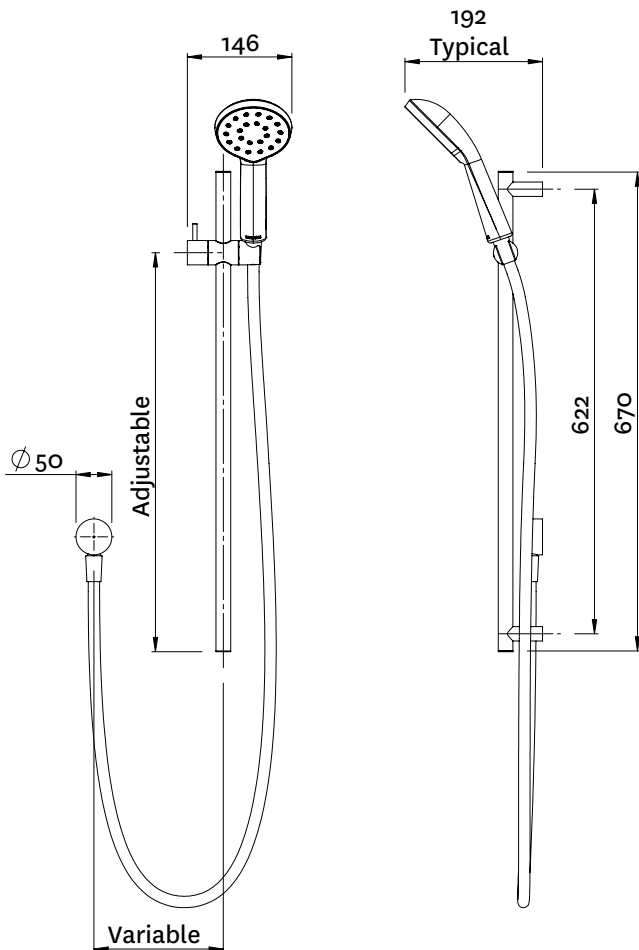


KRSRCPAU
KIRI MK2 RAIL SHOWER



Satinjet®



Twist Free
Hose



FINISH: Chrome

FUNCTIONS: Satinjet®

MOUNTING METHOD: Twin solid mounting

SUPPLY: Mains Pressure

CONNECTIONS: 1/2" BSP Female

WORKING PRESSURES: 150 - 500 kpa

OPERATING TEMPERATURE: Recommended 50°C*

*Refer AS/NZS 3500

- Features the revolutionary Satinjet® spray design. Twin jets of water collide into thousands of tiny droplets to deliver voluminous shower coverage
- Single function handset featuring Satinjet® spray
- Easy-to-clean faceplate
- High quality 680mm brass rail with solid metal mounting points for extra durability
- Height adjustable, twist-lock slider
- Strong and durable, Satin Lux hose