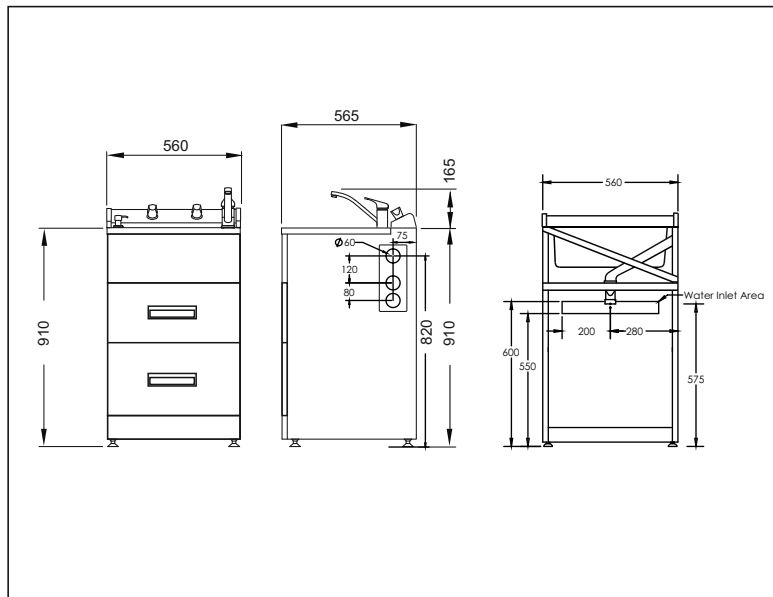


Aquatica Laundry Tubs

Laundra560 Max

aquatica



Code: LAUNDRA560 MAX Stainless Steel top with Sink Mixer

- Robust long-life powder-coated galvanised steel cabinet with rear diagonal brace
- Pressed seamless laundry tub with anti-drip lip
- 5 year warranty on all pressure mixer and Laundry tub cabinet
- Recessed metal door handle
- 2 Handy storage buckets included
- Full extension quality drawer runners to allow full access to storage buckets
- Metal waste with lint strainer
- 20 year warranty on stainless steel bowl and ceramic cartridge
- Height easily adjustable via feet (approximately 15mm adjustment)
- Designer overflow capacity greater than 25 l/min
- Standard tap height approximately (≈) 165mm
- Waste outlet 590mm to 605mm from the ground depending on height adjustment on feet
- Soap dispenser
- Washing machine taps mounted on console
- **Area Allowed for Water Inlet Location:**
 - Maximum Height (from floor): 600mm
 - Minimum Height (from floor): 550mm
 - Recommended Height (from floor): 575mm
 - Maximum Width (from Centre line): ± 200 mm

Note: Inlets can be anywhere in this area provided they do not interfere with trap or waste line



KIWI OWNED COMPANY

NZ • DESIGNED
• ASSEMBLED
• TESTED

Suitable for low/unequal & mains pressure systems

Recommended Operational Pressure Range: 35 - 600 kPa
Maximum Operating Temp: 80°C Never to Exceed: 1000 kPa



Aquatica NZ Limited

9 Saunders Place,
Avondale, Auckland.
Tel: 09-828 2068,
Fax: 09-828 2069
Email: info@aquatica.co.nz
or visit our website:
www.aquatica.co.nz

© copyright Aquatica 2019