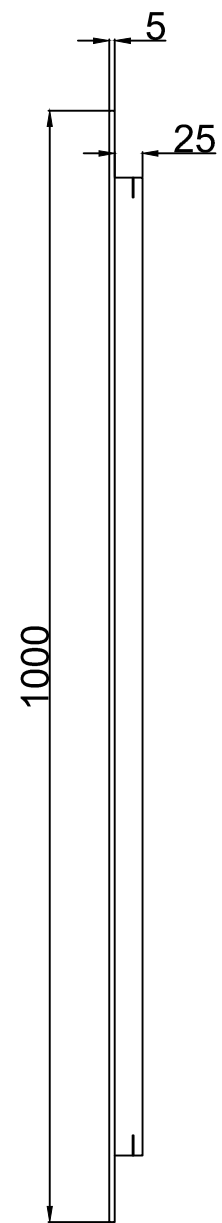
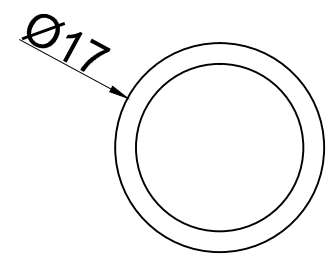
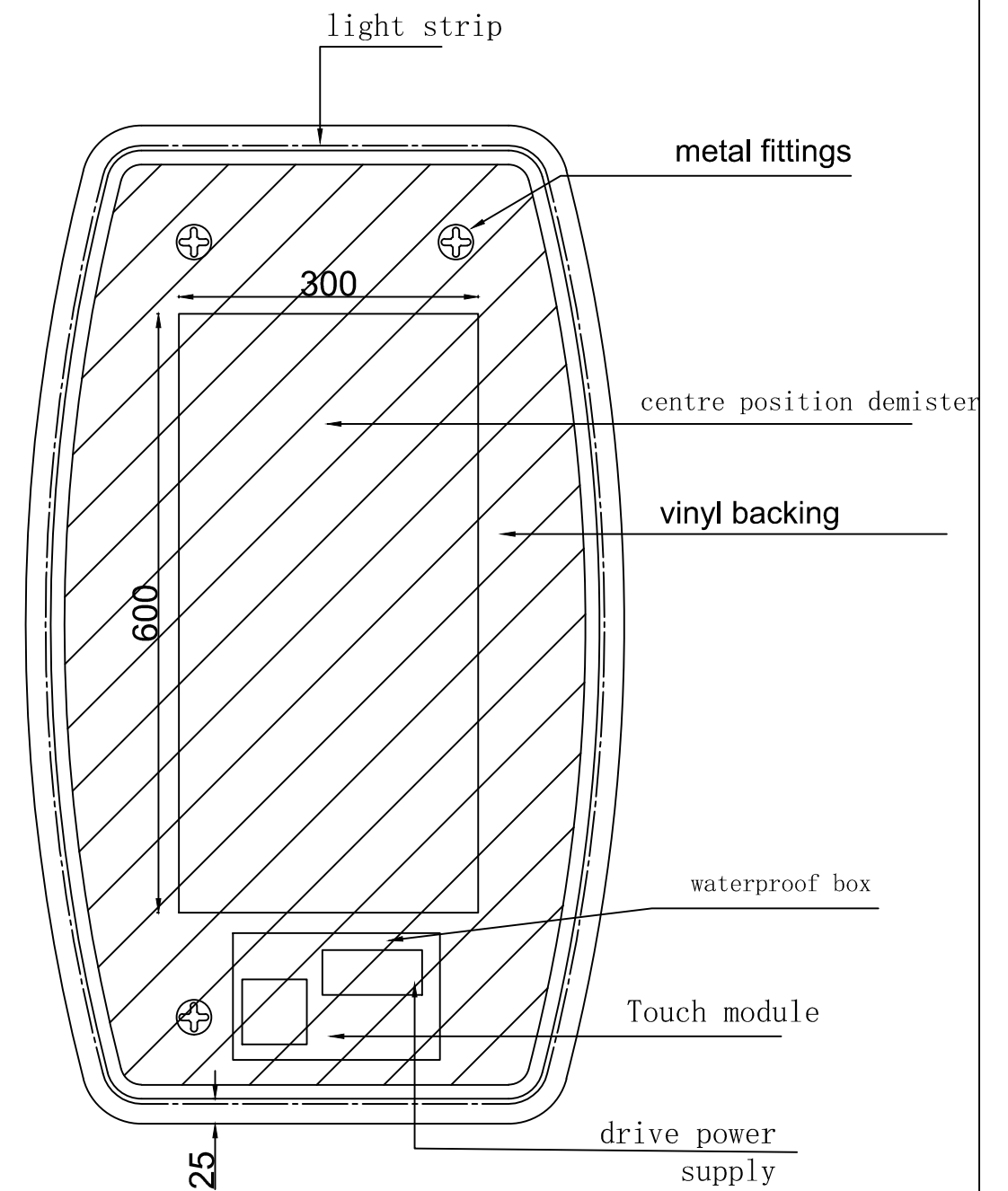


front side

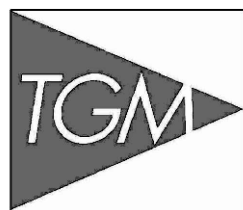
Keystroke laser hollow out



side



backside



	DRAWN BY	CHECKED BY	APPROVED	DATE	UNITS	Drawing Number	LEDARC100X60	INPUT: AC220V-240V 50/60HZ	
				2022.8.3	mm	MATERIAL		5mm copper and lead free mirror, irregular shape, flat polished edges, round corners R60x4, clear edge seal, vinyl backed with demister, color temperature change function (from yellow to white), light strip 2835 120LED/M 3000-6000K, stepless dimming, memory function 1 button on surface, power supply and plug, 1 meter long, Australian 3 holes plug 3 metal fixings, 2 screws and 2 white nylon screw type plugs full white box with color sticker and barcode	
						TYPE			
	TRENDY MIRRORS CO., LTD						TEL		+64 34 64 644
							E-mail		sales@trendymirrors.co.nz
						URL	www.trendymirrors.co.nz	Product Manual+Assemble Manual + screw+wall plug+label	