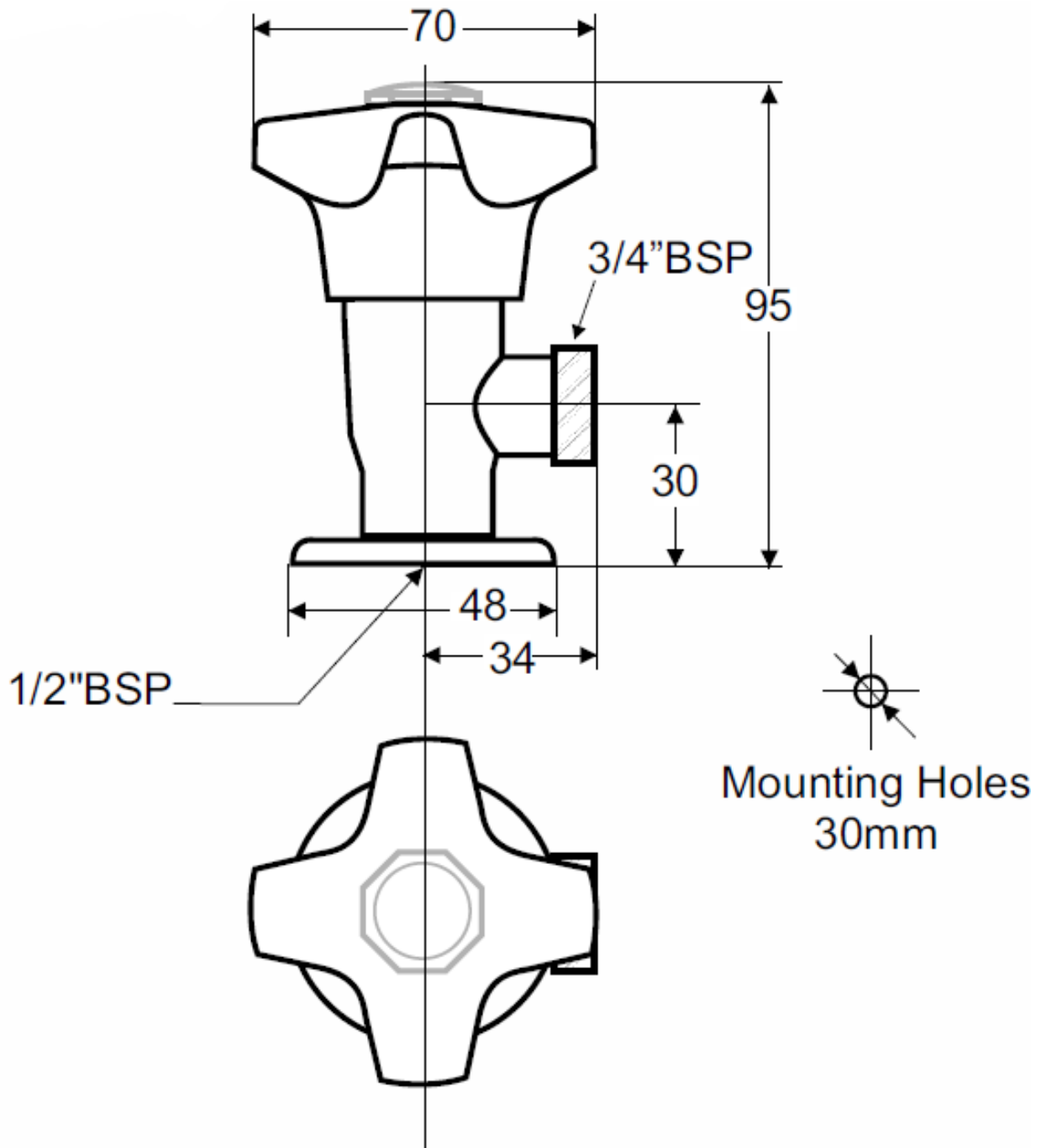


# Marketti Project Laundry Angle Stops

NZ 51461000



NZ: 0800 655 455 AUS: 1800 244 992  
sales@greenstapware.com | www.greenstapware.com



**GREENS TAPWARE**  
Design in flow