

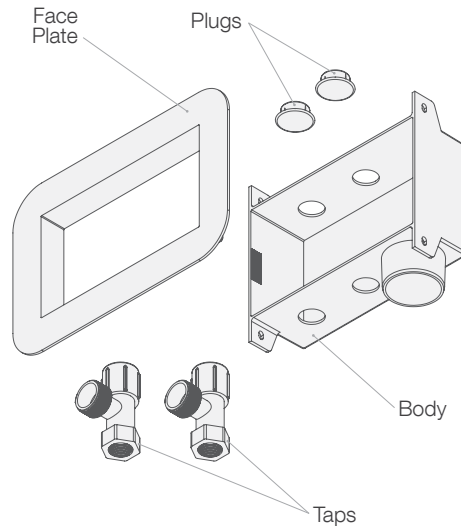
# LAUNDRY OUTLET BOX

LOB LRGT

## Install Instructions

allproof.com

### Components:



### Note:

This product has been designed to keep pipework for Laundry plumbing fixtures tidy and compact.

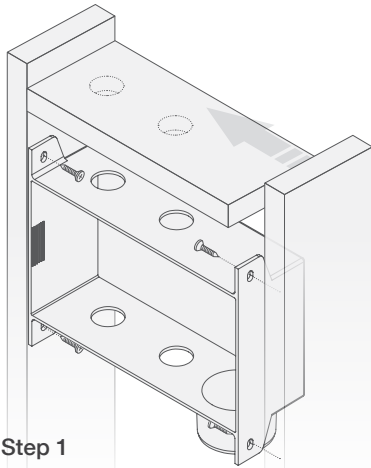
Any modification to this product may compromise the performance and will result in the warranty becoming void.

The product has been designed to work as per the below details and all installations should adhere.

Allproof recommends checking the product prior to install ensuring there are no faults to the product obtained during transit.

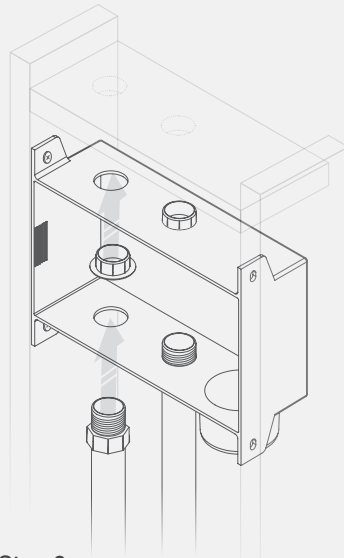
Contact Allproof if you have any questions regarding installation.

### Install Steps:



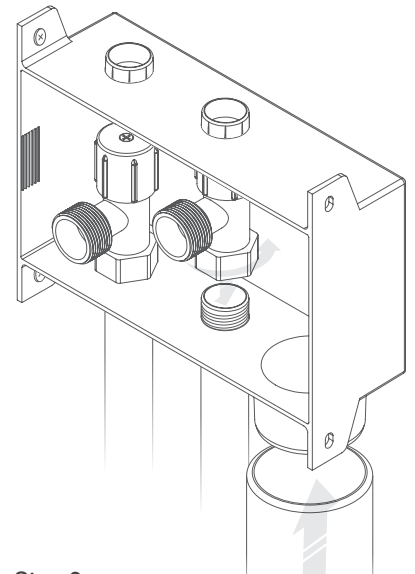
#### Step 1

Trim framing as required to support outlet box, install body using four fixing points.



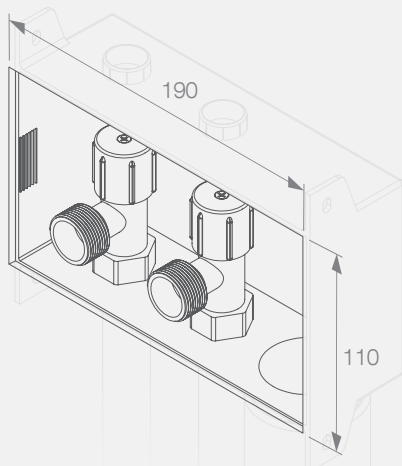
#### Step 2

Install pipe work and plugs into required locations.



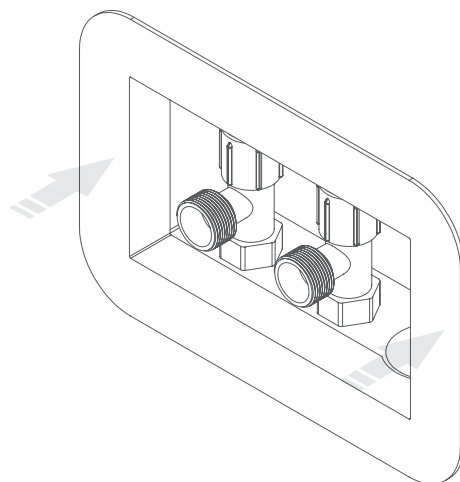
#### Step 3

Screw in taps and glue fix waste outlet riser pipe.



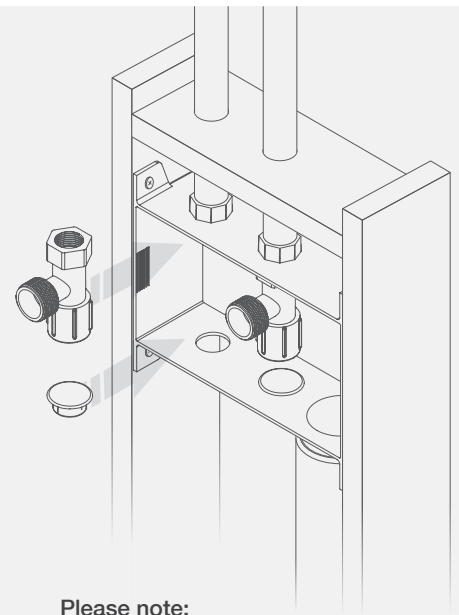
#### Step 4

Cut hole in plasterboard approximately 190mm wide x 110mm high where the Laundry Outlet Box is located and fix to wall.



#### Step 5

Push on face plate covering exposed plasterboard edges.



#### Please note:

Washing machine feed pipes can also be located from the top.