



LOFT LADDER TOWEL WARMER

The Advanced Art of Towel Warming

Operation

Your LOFT Towel Warmer uses only minimal electrical power - about the same as an average light bulb. It will take approximately 20-30 minutes to reach maximum operating temperature. LOFT Towel warmers are designed for continuous operation. NOTE: The temperature of your towel warmer will vary with the ambient temperature of your room. A towel warmer is designed to warm and assist the drying of towels and will normally operate at a temperature that is too hot for the warmer to be grasped for an extended time.

Locating Instructions

Detailed installation instructions are provided on the reverse side. The LOFT Ladder Towel Warmer should be fixed through the wall cladding directly to studs or other suitable anchor material. The towel warmer should be located in compliance with the AS/NZS 60335 Standard and should not in any circumstances be located in the direct path of a water source (tap or shower etc). LOFT towel warmers have an IP45 rating offering you the greatest flexibility to safely locate the towel warmer in bathrooms or shower rooms in **Zone 1-3**. All other electrical fittings must also be compliant with the zone within which the warmer is being installed.

Electrical Installation

Please ensure your towel warmer is installed by a registered electrician and ensure the electrical supply, plug & switch location, and product location will comply with your local regulations.

New Zealand electrical wiring requirements stipulate that this appliance must be wired by a registered electrician in accordance with current electrical wiring regulations. This appliance must be fitted with an air gap phase isolation switch which isolates the phase & neutral in accordance with local wiring regulations. **This product must be used in conjunction with a hard wired switch.** For complete temperature control a wall mounted dimmer switch (with "off" position) is recommended.

Concealed Wiring Kit

A concealed wiring adapter kit is included with this product. If you have access to the wall cavity the kit allows you to conceal the electrical flex for a more streamlined and visually appealing installation.

Care and Cleaning

The polished stainless steel finish of your Towel Warmer is hard wearing and easily maintained. Clean regularly with a soft cloth and non-abrasive cleaning agent.

Warranty

This product is warranted against defects due to faulty workmanship or materials for 10 years from date of purchase. In the event of a defect in the product, turn it off at the wall, and contact the retailer from which it was purchased and provide details from your sales receipt and the products serial number from the label on the towel warmer. The retailer will contact Heirloom who will assess the matter and if accepted as a valid warranty claim the product will be repaired or replaced at Heirloom's option – free of charge. Costs of disconnection, reconnection, and freight are the responsibility of the owner, as is any damage arising in transit to and from servicing by Heirloom. This warranty does not cover:

- a. Any damage to the product caused by misuse, neglect, accident, or in violation of the manufacturer's instructions, or
- b. Any damage, loss or injury arising as a consequence of the use of the product.

Australia: Our goods come with guarantees that cannot be excluded under the Australian Consumer Law. You are entitled to a replacement or refund for a major failure and compensation for any other reasonably foreseeable loss or damage. You are also entitled to have the goods repaired or replaced if the goods fail to be of acceptable quality and the failure does not amount to a major failure.

Heirloom International Limited, P O Box 204 235, Auckland 2161, New Zealand.
Ph +64 9 274 4443 info@heirloom.co.nz

Contact Us

We welcome your feedback on our products. You can view our full range of towel warmers on our website and send us your comments about this product using the Contact Us page on our website www.heirloom.co.nz

INSTALLATION OF LOFT LADDER TOWEL WARMER

SPECIFICATIONS	Mounting Centre (Approx Width)	Rating at 240 Volts AC	Voltage	IP Rating
Model WL1220 (10 Rungs)	570mm	185 Watts	230-240VAC	IP45
Model WL1220S (10 Rungs) Slimline	430mm	146 Watts	230-240VAC	IP45
Model WL1220E (10 Rungs) Extended	820mm	253 Watts	230-240VAC	IP45
Model WL825 (7 Rungs)	570mm	128 Watts	230-240VAC	IP45
Model WL510E (5 Rungs) Extended	1200mm	178 Watts	230-240VAC	IP45

This Package Contains:

- | | |
|---|--|
| 1 Ladder Towel Warmer | 1 x Concealed adaptor fixing barrel (optional) |
| Electrical Flex | 4 x Mounting Screws to fix Fixing Barrel to wall |
| 2 x Top Mounting Legs with Fixing Barrel & Grub Screw & (Separate) Fixing bolt | |
| 1 x Bottom Mounting Leg (Non Flex Leg) with Fixing Barrel & Grub Screw | |
| 1 x Bottom Mounting Leg (Flex Leg) with Plastic Trim & Flat Fixing Bracket & Grub Screw | |

CAUTION: Prior to installation please ensure the product is to your satisfaction. Once installed Heirloom cannot be responsible for defects in the product finish. This product is not intended for use by young children or infirmed persons without supervision. Young children should be supervised to ensure they do not play with the product. To minimize a hazard for young children, this appliance should be installed so that the bottom rail is 600mm above the floor. If the supply cord is damaged it must be replaced by the manufacturer, its service agent, or similarly qualified persons in order to avoid a hazard.

Installation:

This towel warmer must be installed by a registered electrician and in accordance with local and national electrical codes. We recommend that the towel warmer be installed vertically on a flat and uniform wall, and where possible into studs or other suitable anchor material. If fixing to hollow cavity walls, Toggle Anchors (not those supplied) or similar devices must be used.

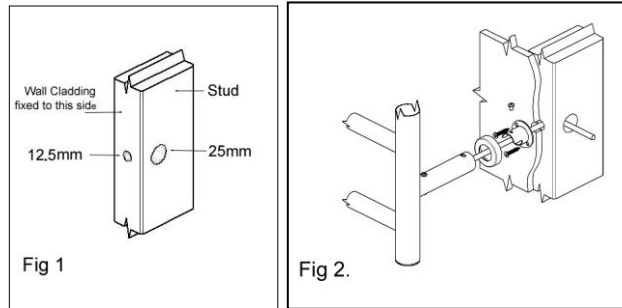
Position the towel warmer so that the plug and mains power receptacle are easily accessible, with the cable entry to the towel warmer NEAREST THE FLOOR. Avoid the supply cable coming into contact with the heated parts of the towel warmer.

DO NOT PLUG THE UNIT INTO THE POWER SUPPLY OR SWITCH THE TOWEL WARMER ON BEFORE INSTALLATION IS COMPLETE.

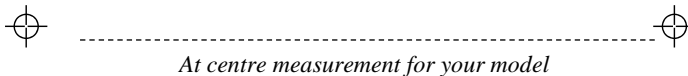
- 1 If the towel warmer is being installed with a concealed electric flex, read those instructions before returning to this point as preparatory work is required before the wall cladding is installed onto the walls.
- 2 Identify the three different types of mounting legs per the above descriptions and attach the two top mounting legs to the towel warmer with the fixing bolts (After removing the fixing barrels & making sure the grub screw will face the floor)
- 3 Decide which side the electric flex is to be connected and then connect the "Non Flex" Leg to the bottom of the towel warmer that will not house the electric flex (After removing the fixing barrel & making sure the grub screw will face the floor). Also before attaching the leg, make sure the cap that covers the electrical connection/wires is in place.
- 4 Thread the "Flex Leg" on to the electric flex (ensuring that the leg is facing in the correct direction). On the foot that will receive the electric flex, remove the cap from the electric flex that protrudes from the towel warmer. Plug in the electric flex and firmly secure it by screwing together the two pieces of the connector fitting. Fix the leg to the towel warmer with the two screws provided.
- 5 If the warmer is being installed without using the concealed adaptor (i.e. the electric flex is to be visible) proceed to the next step. If the towel warmer is being installed with a concealed wiring fixing adaptor, proceed to that section.
- 6 Hold the towel warmer in position and mark around one of the top legs. Remove the towel warmer and fix the fixing barrel to the wall.
- 7 Place the leg onto the fixing barrel and, making sure that the towel warmer is level, mark the location of the remaining top leg. Fix the fixing barrel to the wall
- 8 Place the towel warmer onto the two fixing barrels and mark the location of the two bottom legs.
- 9 Remove the towel warmer and fix the remaining fixing barrel and fixing bracket to the wall. Ensure that the metal fixing bracket is used for the foot that contains the electric flex. (The other three feet will use the same style of fixing bracket)
- 10 Ensure the flex exits the leg through the slot with the plastic edge.
- 11 Place the towel warmer in position and secure it to the fixing barrels using the grub screws.

Concealed Wiring Option Instructions:

1. Ensure that the flush box that the towel warmer will be wired to can be reached by the flex from the mounting position of the towel warmer. Allow for loss of flex length due to connections.
2. Drill a 12.5mm hole into the face of the stud where the towel warmer foot with the flex is to be positioned. Drill the hole approximately 25mm deep. (On masonry walls drill a 14mm hole.)
3. Identify the side of the stud facing the flush box that the towel warmer will be wired to. On that side of the stud, drill a 25mm deep hole at right angles to this first hole so that the hole will break into the base of the first hole. Refer to Fig1.



9. Place a pull through line from the flush box and out the 12.5mm hole so that the line can be picked up later once the wall cladding is in place
10. When the wall cladding is installed a hole will be required to provide access to the above 12.5 mm hole in the stud. Locate the pull through and leave hanging out of the hole that has been created in the wall cladding. (**NOTE:** care must be taken to ensure that the hole created in the wall cladding is a lesser diameter than that of the towel warmer leg to ensure that the hole in the cladding will be concealed by the towel warmer leg when it is fixed into position)
11. When installing the towel warmer, thread the pull through line, through the concealed mounting adaptor and screw the mounting adaptor into position. The pull through line should now exit through the concealed wiring adaptor. (On masonry walls epoxy resin the adaptor into position). (refer Fig 2)
12. For the second bottom leg of the towel warmer mark a point horizontally from the centre of the adaptor at the measurement for your model (but check the actual measurements to your warmer as manufacturing tolerances apply) for the other bottom fixing barrel. It is important that the line between these two points is level.



13. Screw the other bottom mounting bracket into place with the screws provided.
14. If applicable, fit the trim to the Concealed mounting adaptor, attach the pull through to the flex and pull the flex through the stud holes to the flush box.
15. Position the towel warmer on the bottom two mounting brackets / barrels and mark the position of the two top feet. (Use easy to remove pencil)
16. Mark the centre distance for the top mounting brackets / barrels (per above) & screw the mounting brackets / barrel to the wall.
17. If applicable, fit the trims on the 3 remaining mounting brackets.
18. Remount the towel warmer on the four mounting brackets / barrels. Secure the foot containing the flex with the screws provided, then secure the three remaining feet with the screws provided