



## APPLICATIONS



TOILET



HAND BASIN



BATH



SHOWER



WMTS 106:2019  
Certificate No. 23048  
Manufacturer: SFA  
Brand: Saniflo

PRODUCT REFERENCE:  
SA98

## Saniplus®

Saniplus® is a high capacity unit that will enable you to install a full bathroom. Its durable motor will enable long term and reliable running.

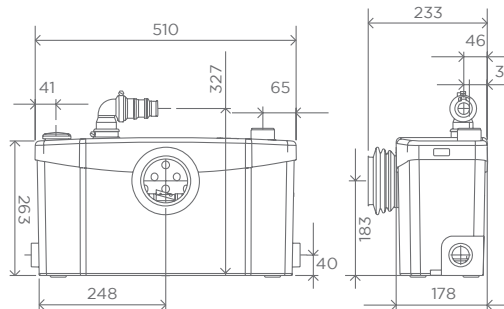


### TECHNICAL CHARACTERISTICS

<b>Discharge Pipework</b>	20 mm
<b>Motor Power</b>	400 Watts
<b>Voltages</b>	220-240 V/50 Hz
<b>Working Waste Water Temp</b>	35°C
<b>Product Weight</b>	7.4 kg
<b>Overall Measurements</b>	510 x 263 x 178 mm
<b>Inlet Pipework</b>	40 mm
<b>IP Rating</b>	IP44

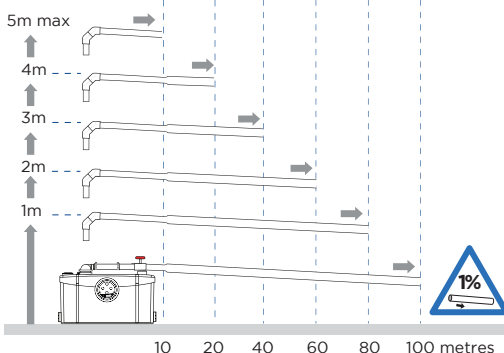
### WHY CHOOSE THIS PRODUCT?

- Neat and functional design
- Can connect a toilet, basin, shower and bath tub
- Quiet technology
- Large tank capacity
- Factory pre-mounted non return valve (supplied)
- Macerator needs minimum 4.5 L of unrestricted flush for optimal function
- Can be equipped with Sanialarm (sold separately)



### VERTICAL/HORIZONTAL PERFORMANCE

Increase size of horizontal run by one pipe size after 5m.  
All horizontal pipework requires a minimum of 1:100 fall.



### FLOW RATE PERFORMANCE CHART

