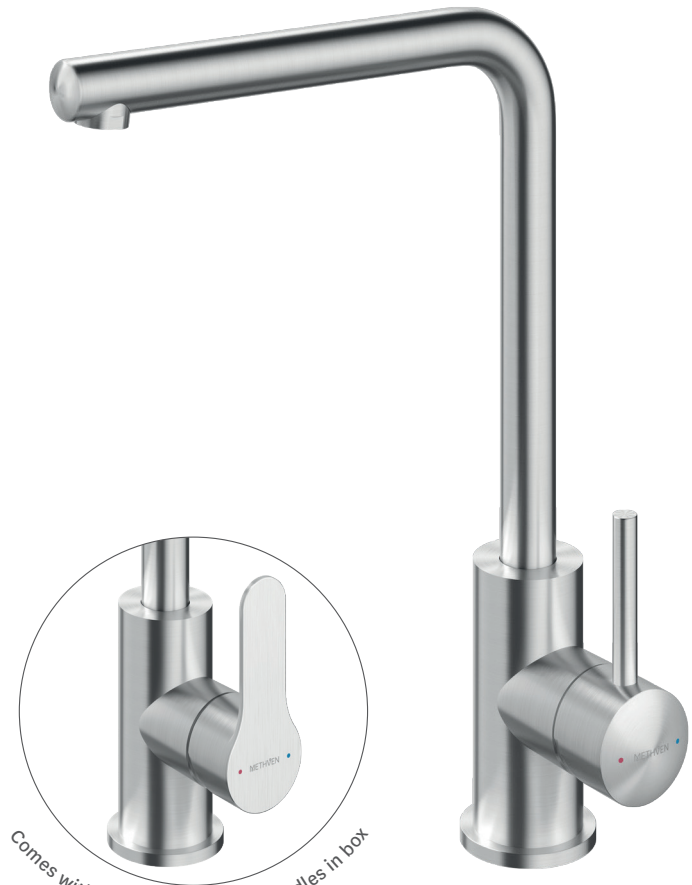
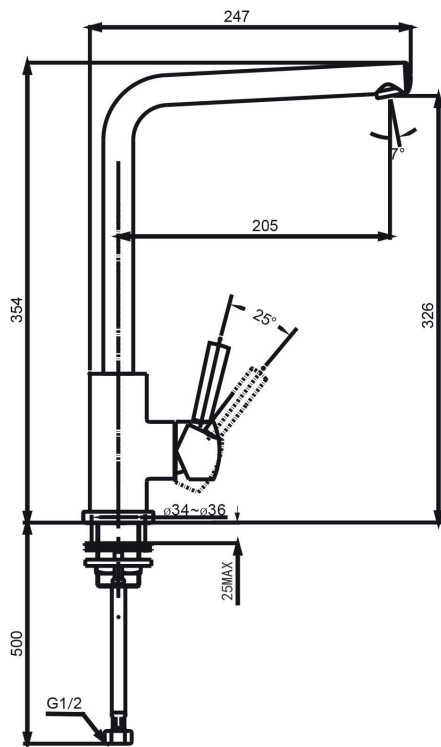


METHVEN MINIMALIST SQUARE NECK SINK MIXER



CONSTRUCTION: Brass body

CARTRIDGE TYPE: Ceramic

CLASSIFICATION: Suitable for mains pressure only

INLET CONNECTIONS: 1/2" BSP Female

WORKING PRESSURE: Working pressure is 150 – 500 kpa

DIMENSIONS FOR FITTING: 34-36mm diameter hole

OPERATING TEMPERATURE: 5 °C - 80 °C

WATER FLOW RATE: Water flow rate is 5 star WELS, 6.0 L/m

- Made in 304 Stainless Steel
- Brushed finish
- Bench thickness max 25mm with base ring
- Inlet stainless steel flexible hoses 500mm
- Easy swivel spout, 360° rotation
- Suitable for mains pressure operation only
- Comes with round & minimalist handles in box. You choose.

MMKSQSS

Stainless Steel

<http://www.methven.com/nz/>