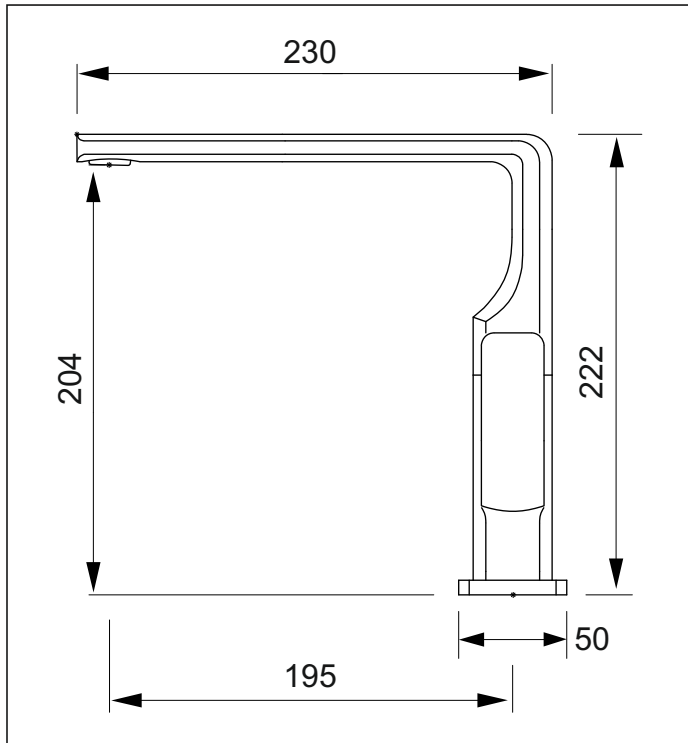


Nanu 2

Sink Mixer

aquatica 



Code: NA2 SM

Finish: Chrome

Spout: Cast, Swivel 360°, 16 X 33mm
Double O-rings 12 X 2.5

Water Inlet: Stainless Steel Flexi Hoses: Hot/Cold: Size: M10 x 1/2" BSP
Length: 350mm

Water Outlet: Slim PCA 5.0 l/min

Cartridge: K 25 OPCM (requires adaptor)

Installation Hole Diameter: Minimum: 28mm
Maximum: 32mm

Mounting Hardware: Stud: 8mm
Nut: 11mm A/F
Horseshoe Washer

Base seal: Custom moulded seal

Max water flow @ 35 kPa: 3.5l/min

Feature: Can be mounted up against wall, handle goes from vertical, forward 90° to horizontal

KIWI OWNED COMPANY

NZ • DESIGNED
• ASSEMBLED
• TESTED 

Aquatica NZ Limited

9 Saunders Place,
Avondale, Auckland.
Tel: 09-828 2068,
Fax: 09-828 2069
Email: info@aquatica.co.nz
or visit our website:
www.aquatica.co.nz

© copyright Aquatica 2019



Suitable for mains pressure systems only

Recommended Operational Pressure Range: 150 - 600 kPa
Maximum Operating Temp: 80°C Never to Exceed: 1000 kPa

Please note: Specifications are subject to change without notice. It is the responsibility of the installer to check the measurements of the physical product before installation