

# Rinnai



Rinnai Novo Gas Fire Collection



# Novo Freestander

With simple modern lines, the Novo Freestander is the perfect no-fuss replacement for a freestanding woodburner. The glowing logset and realistic flame picture will bring ambience and warmth to those cold winter nights. With a number of base options available, the Novo Freestander has a look to suit your home.

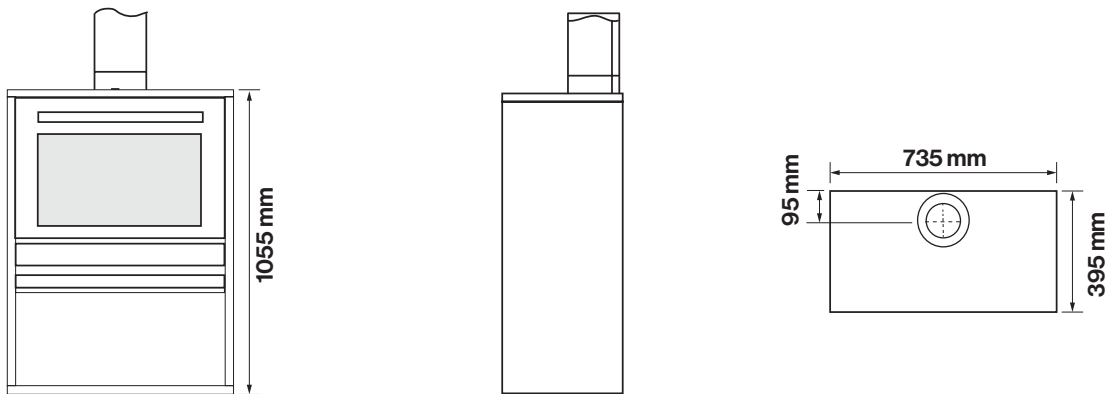


## Features

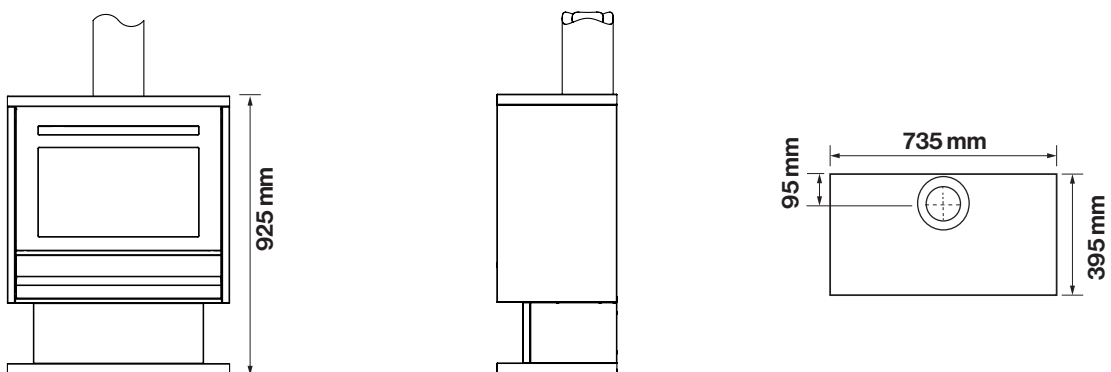
- 3.9 star energy efficiency
- High maximum heat output of 6.6 kW
- Subtle mesh heat shield as an option
- Two base options available; cabinet (shown) and plinth
- Uses the coaxial direct vent flue system, sealed from the room
- Capable to be Wi-Fi enabled (with the additional Wi-Fi Retrofit Kit)
- Available in LPG and Natural Gas
- Includes 'simple-to-use' infrared remote control

## Dimensions

### Freestander with Cabinet Base



### Freestander with Plinth Base





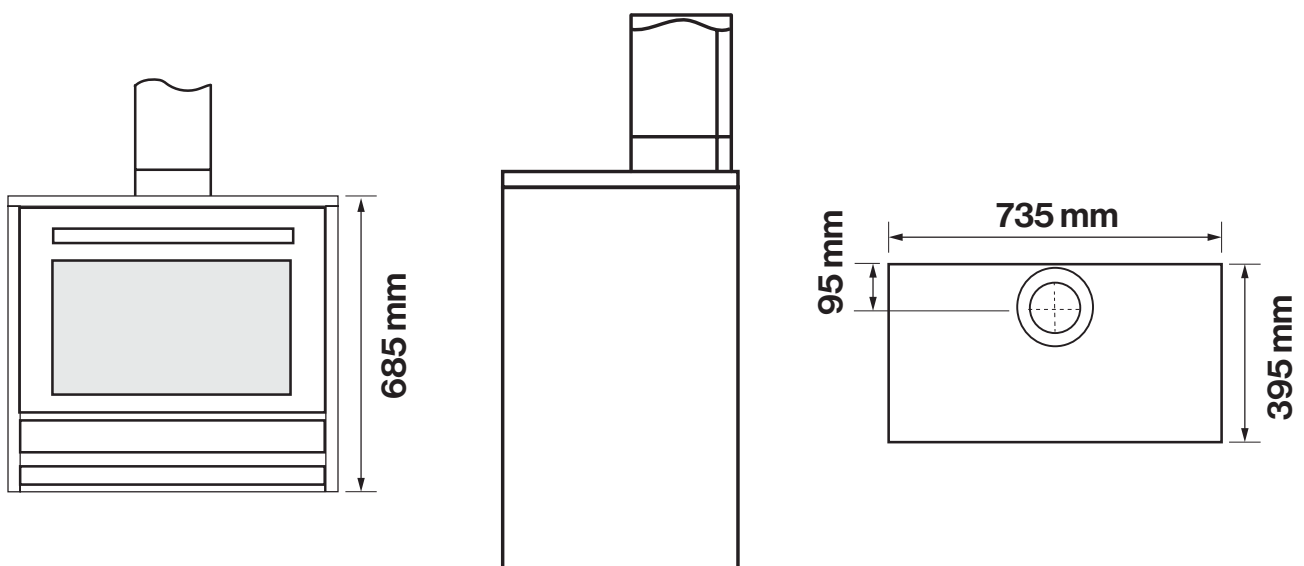
# Novo Cube

With unique, modern style, the Novo Cube provides design flexibility that can be integrated into any living space. The Cube is designed to be installed on a choice of fixed furniture,\* giving unlimited design opportunities.

## Features

- 3.9 star energy efficiency
- High maximum heat output of 6.6 kW
- Subtle mesh heat shield as an option
- Uses the coaxial direct vent flue system, sealed from the room
- Capable to be Wi-Fi enabled (with the additional Wi-Fi Retrofit Kit)
- Available in LPG and Natural Gas
- Includes 'simple-to-use' infrared remote control

## Dimensions



\*See Novo Freestanding Installation Guide for details on compatible furniture materials.



# Novo Inbuilt

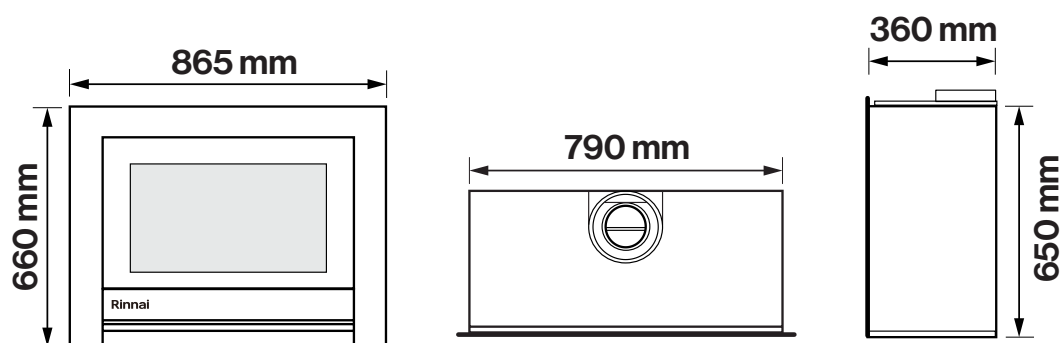
Inspired by the much-loved Rinnai Neo, the Novo is a stylish and versatile gas fire that is perfect for most homes. The modernised aesthetic, and the replacement of the glass heat shield with a barely visible mesh will ensure the Novo will be another firm favourite Rinnai gas fire.

## Features

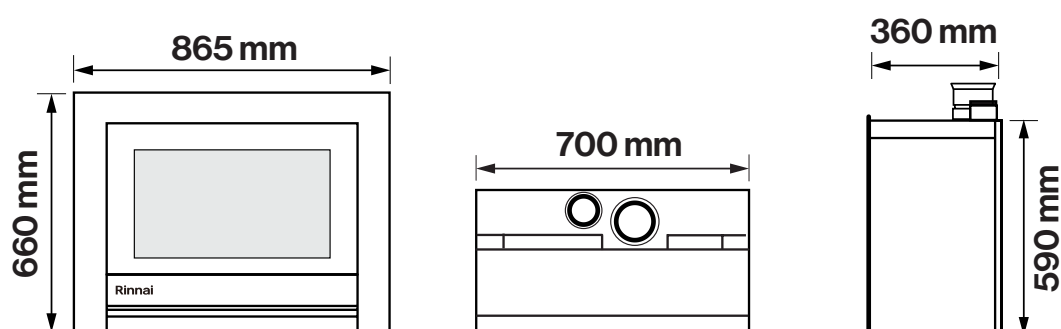
- 3.9 star energy efficiency
- High maximum heat output of 6.6 kW
- Premium Classic Fascia available for villa-style living spaces
- Subtle mesh heat shield as an option
- Direct vent, room-sealed flue system
- Flue system options; vertical colinear flexi flue, or ridged coaxial
- Flexible install options, masonry inbuilt or into mock chimney
- Capable to be Wi-Fi enabled (with the additional Wi-Fi Retrofit Kit)
- Available in LPG and Natural Gas
- Includes 'simple-to-use' infrared remote control

## Dimensions

### Mock Chimney Coaxial System



### Masonry Colinear System



# Rinnai Novo Features Comparison

	Novo Freestander	Novo Cube	Novo Inbuilt
<b>Install Options</b>			
Freestanding	✓	✓	
Inbuilt mock chimney			✓
Existing masonry			✓
<b>Accessory compatibility</b>			
Black fascia (supplied)	✓	✓	✓
Classic fascia (optional)			✓
Burn media logset	✓	✓	✓
Mesh heat guard (optional)	✓	✓	✓
Masonry infill panel			✓
<b>Flue system</b>			
Freestander coaxial flue	✓	✓	
Inbuilt colinear flue			✓
Inbuilt coaxial flue			✓
Upper North Island	112	112	112
Central & Lower North Island	77	77	77
South Island	65	65	65
Gas Type	NG & LPG	NG & LPG	NG & LPG
Max Input (MJ/h)	30	30	30
Min Input (MJ/h)	14	14	14
Heat Output Max (kW)	6.6	6.6	6.6
Heat Output Min (kW)	3.0	3.0	3.0
Star rating	3.9	3.9	3.9
Speed fan	2 speed	2 speed	2 speed
Remote control	✓	✓	✓
Wi-Fi (via Wi-Fi retrofit kit)*	✓	✓	✓

\* Wi-Fi is available but requires the purchase of an additional Wi-Fi accessory kit.

**5** YEAR FIREBOX WARRANTY

**2** YEAR TOTAL WARRANTY

View the warranty conditions prior to purchase at [rinnai.co.nz/warranty](http://rinnai.co.nz/warranty)

Rinnai is constantly improving its products, and as such, information and specifications are subject to change without notice. For the most up-to-date information, go to [rinnai.co.nz](http://rinnai.co.nz)

This document has been printed using vegetable/soy-based inks on paper from environmentally responsible sources

Rinnai.co.nz | 0800 746 624

[facebook.com/rinnainz](https://facebook.com/rinnainz)