

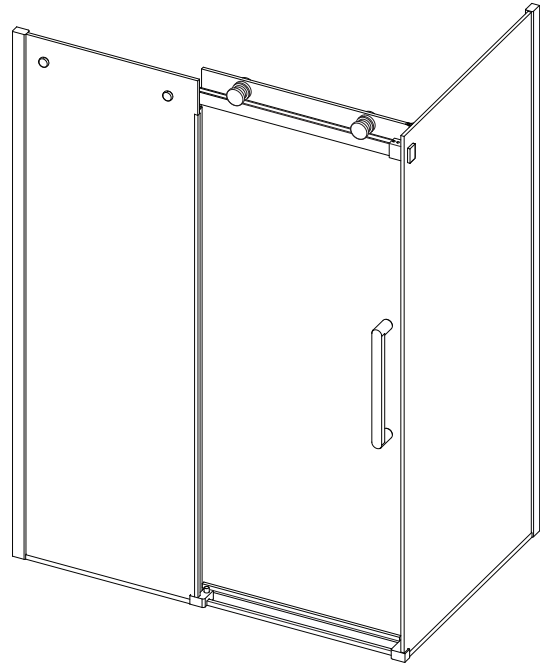
# INSTALLATION INSTRUCTIONS



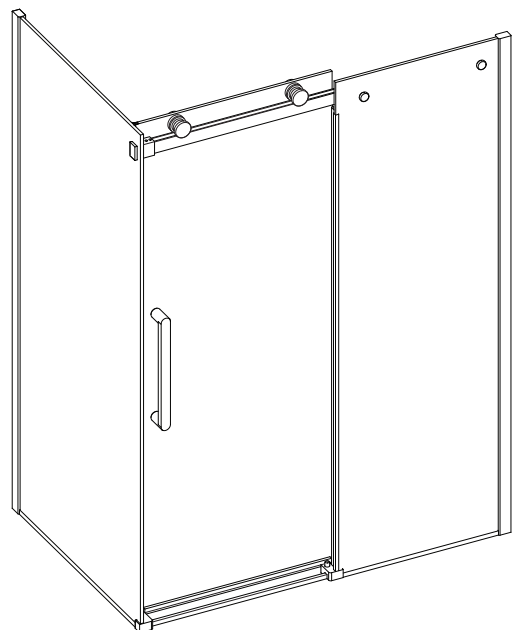
## SHOWER | EVORA FRAMELESS CORNER SLIDING DOOR

Englefield has a history of making superb showers and their popularity is testament to their quality and affordability.

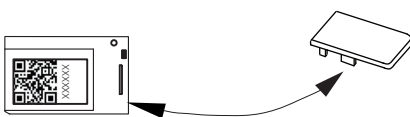
It's the details that Englefield cares about - from pioneering the latest technology, to innovative design, it's all to make your showering experience the very best it can be.



RIGHT HAND INSTALLATION



LEFT HAND INSTALLATION



To assist with product tracking the shower has QR code label underneath the wall retainer caps. Use this QR code when contacting customer support for assistance with your newly purchased shower.

## BEFORE YOU BEGIN:

Before installing the shower please read these instructions carefully to familiarise yourself with the required tools, materials, and installation sequences. Please leave these instructions for the consumer after installation. Refer to the separate care and maintenance guide for important care and cleaning information.

Ensure that the installation of the shower tray and wall, where applicable, is completed prior to the installation of the shower door and return. Follow all warnings, cautions and instructions contained in this guide.

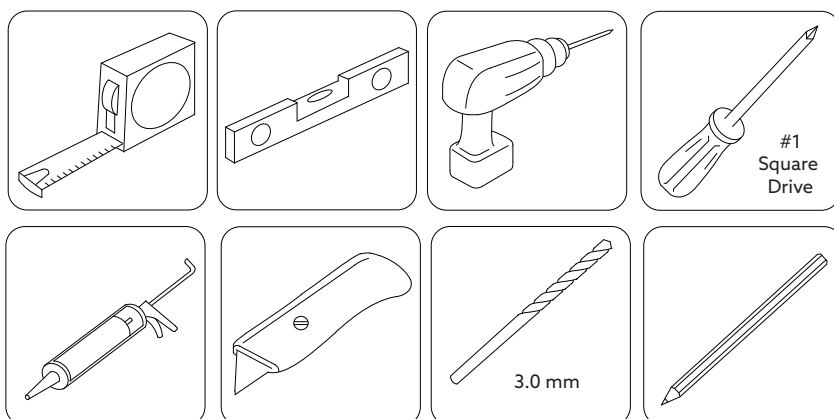
### SAFETY

1. ENGLEFIELD strongly recommends that a minimum of TWO persons install this enclosure due to the weight of the door panels.
2. Toughened safety glass cannot be cut. Risk of injury or product damage.
3. Wear protective footwear when lifting panels.
4. Wear safety glasses when drilling.

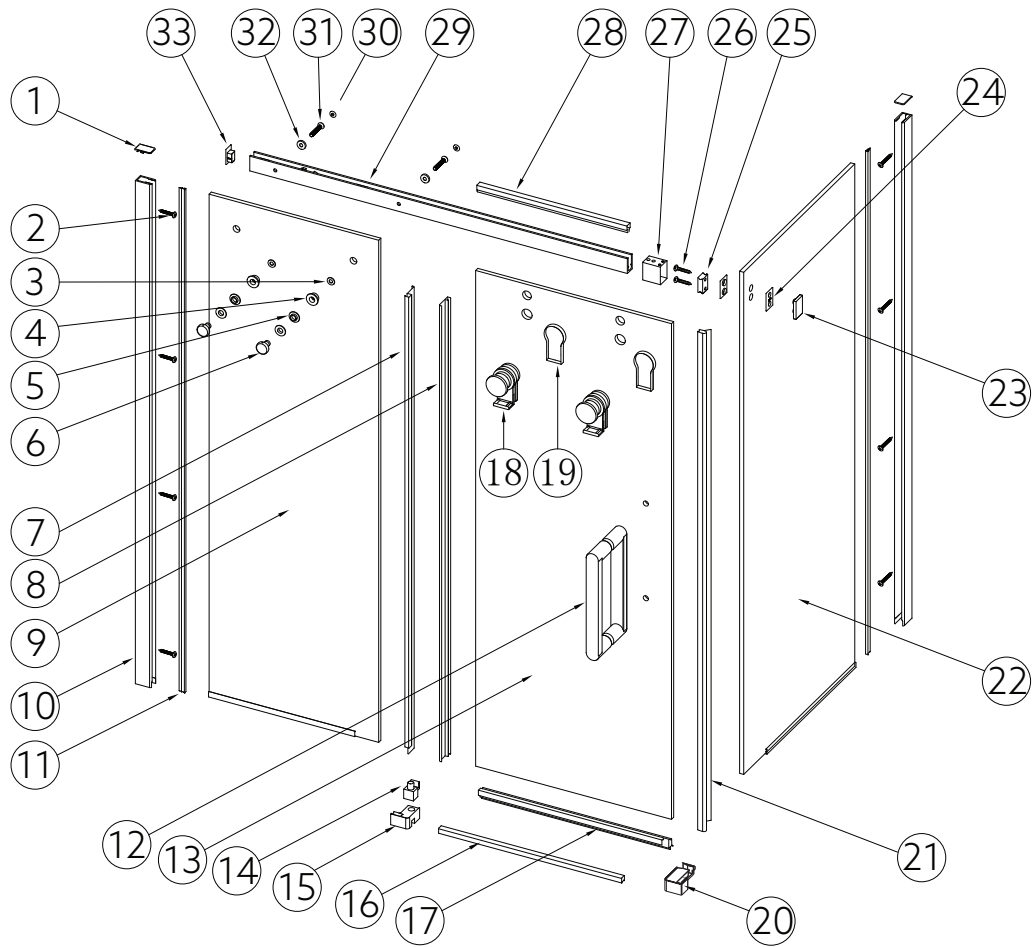
### ATTENTION

1. The wall retainers must be installed onto a waterproof, vertical and flat wall surface. Failure to do so will result in an unsatisfactory seal, which may cause property damage. The wall inclination (out of squareness) is recommended to be out by no more than +/-2mm/m.
2. Please install this door onto an ENGLEFIELD tray, unless installing directly onto tiled walls and floor.
3. Care must be taken when drilling into walls and floors to avoid any hidden pipes or wires.
4. It is the responsibility of the INSTALLER to ensure that the installation complies with council and or local authority bylaws.

## TOOLS AND MATERIALS REQUIRED:



PARTS IDENTIFICATION:



|       |                                     |       |              |       |       |                |       |
|-------|-------------------------------------|-------|--------------|-------|-------|----------------|-------|
| ① x 2 | ② x 8<br>ST4X30                     | ③ x 2 | ④ x 2        | ⑤ x 4 | ⑥ x 2 | ⑦ x 1          | ⑧ x 1 |
| ⑨ x 1 | ⑩ x 2                               | ⑪ x 2 | ⑫ x 1        | ⑬ x 1 | ⑭ x 1 | ⑮ x 2<br>L R   | ⑯ x 1 |
| ⑰ x 1 | ⑱ x 2                               | ⑲ x 2 | ⑳ x 2<br>L R | ㉑ x 1 | ㉒ x 1 | ㉓ x 1          | ㉔ x 2 |
| ㉕ x 1 | ㉖ x 2<br>M5X20                      | ㉗ x 1 | ㉘ x 1        | ㉙ x 1 | ㉚ x 2 | ㉛ x 2<br>M6X39 | ㉜ x 2 |
| ㉝ x 1 | ㉞ x 4<br>2mm<br>2.5mm<br>3mm<br>4mm |       |              |       |       |                |       |

# CONSTRUCTION REQUIREMENTS:

## Wall Framing:

For acrylic tray with acrylic or tile wall.

| Size           | Dim 'A' | Dim 'B' |
|----------------|---------|---------|
| 1200 x 900 LH  | 1200    | 900     |
| 1200 x 900 RH  | 900     | 1200    |
| 1200 x 1000 LH | 1200    | 1000    |
| 1200 x 1000 RH | 1000    | 1200    |

**NOTE:** This setup allows for the use of standard 10mm wall board. On tiled walls, the complete door system must be installed onto the waterproof membrane prior to wall tiling.

For tile base and tile wall.

| Size           | Dim 'A' * | Dim 'B' * | Dim 'C' | Dim 'D' |
|----------------|-----------|-----------|---------|---------|
| 1200 x 900 LH  | 1240      | 940       | 1186    | 886     |
| 1200 x 900 RH  | 940       | 1240      | 886     | 1186    |
| 1200 x 1000 LH | 1240      | 1040      | 1186    | 986     |
| 1200 x 1000 RH | 1040      | 1240      | 986     | 1186    |

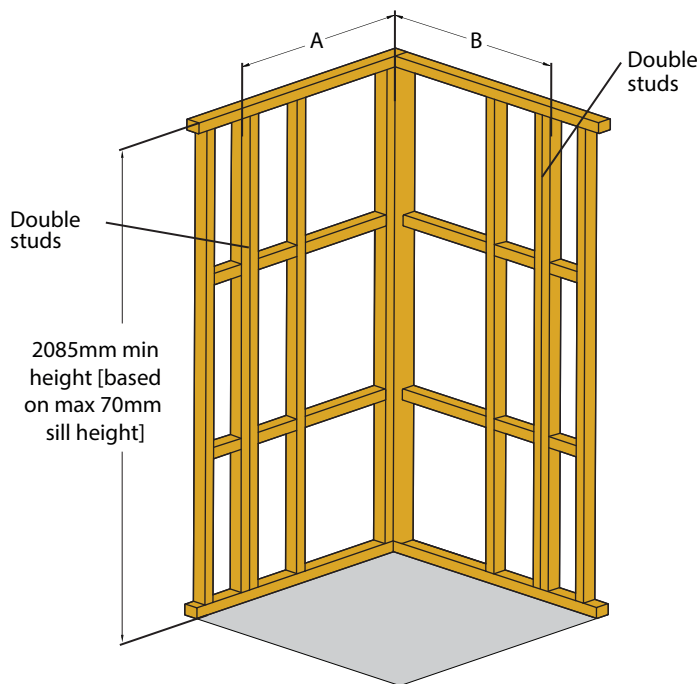
**NOTE:** Before tiling, ensure that there is adequate timber framing for the shower system to be fixed into.

\* Indicative dimensions catering for 10mm wallboard plus a combined tile and cement thickness of 10-20mm.

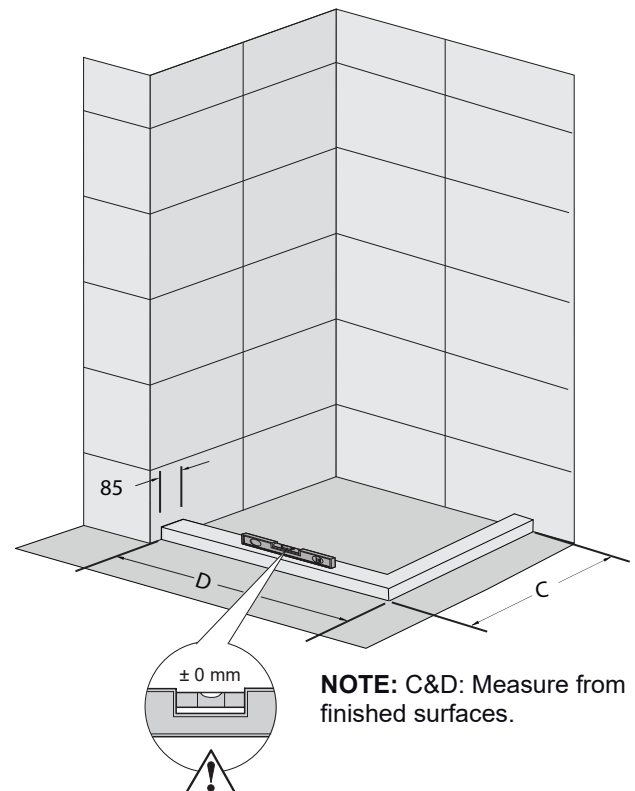


## ATTENTION

Due to the weight of the glass panels Englefield strongly recommends constructing double studs (as below) to fix the wall retainers to.



**NOTE:** A&B Measure from framing.



**NOTE:** C&D: Measure from finished surfaces.

## INSTALLATION - OPTIONS:

### OPTION 1 - Acrylic Tray & Acrylic Wall

**Acrylic Tray:** For tray installation refer to the instructions supplied with the tray.

**Acrylic Wall:** For wall installation refer to the instructions supplied with the wall.

- Proceed to Door Installation.

### OPTION 2 - Acrylic Tray & Tiled Wall

**Acrylic Tray:** For tray installation please refer to the instructions supplied with the tray.

**Tiled Wall:**



#### ATTENTION

**The complete door system MUST be installed onto the waterproof membrane PRIOR TO WALL TILING.**

Failure to install the complete door system before tiling may mean the door system will not fit on the shower tray due to the tile thickness.

- Proceed to Door Installation.

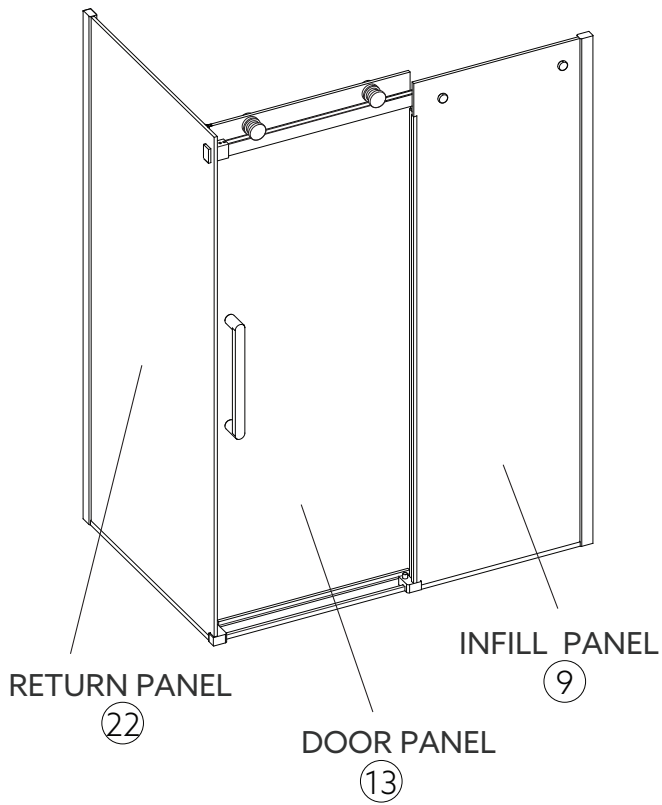
### OPTION 3 - Tiled Wall & Floor

- The door and return can be installed directly onto the wall and floor tiles.  
(Refer to construction requirements).

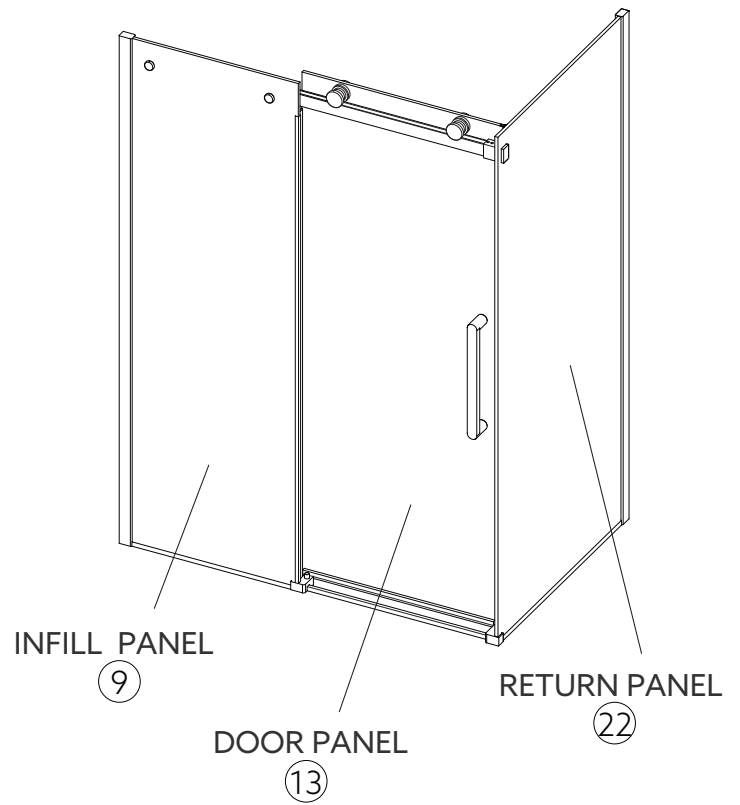
- Proceed to Door Installation.

**INSTALLATION - OPTIONS:**

**LEFT HAND INSTALLATION**

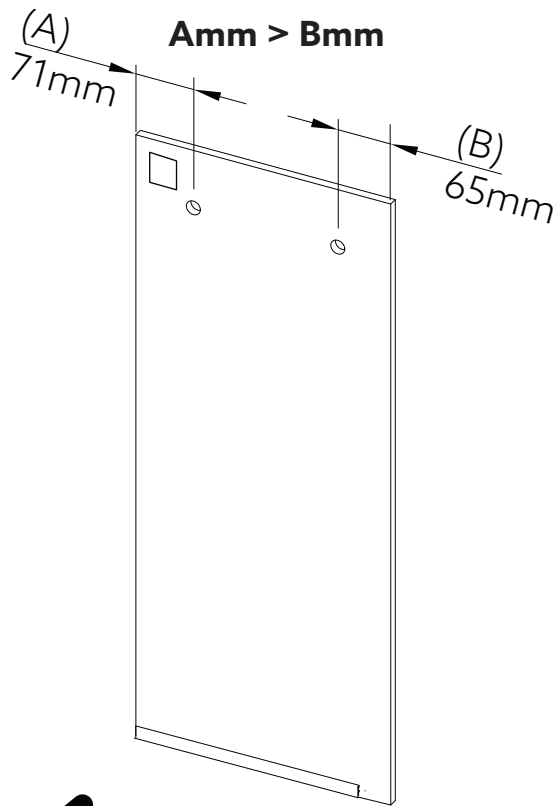
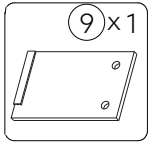


**RIGHT HAND INSTALLATION**

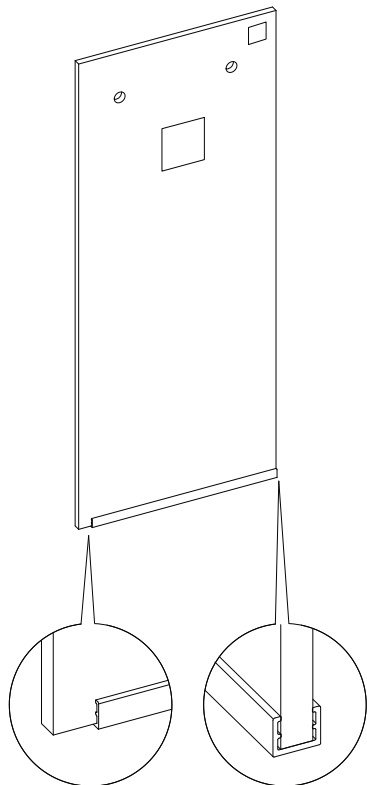


**INSTALLATION:**  
**INFILL PANEL HANDING**

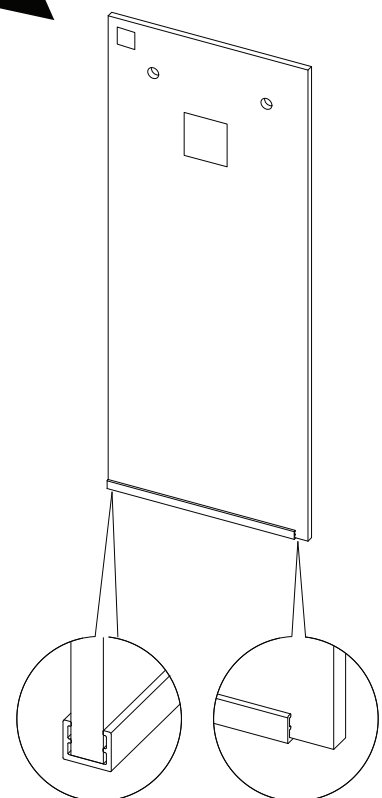
1



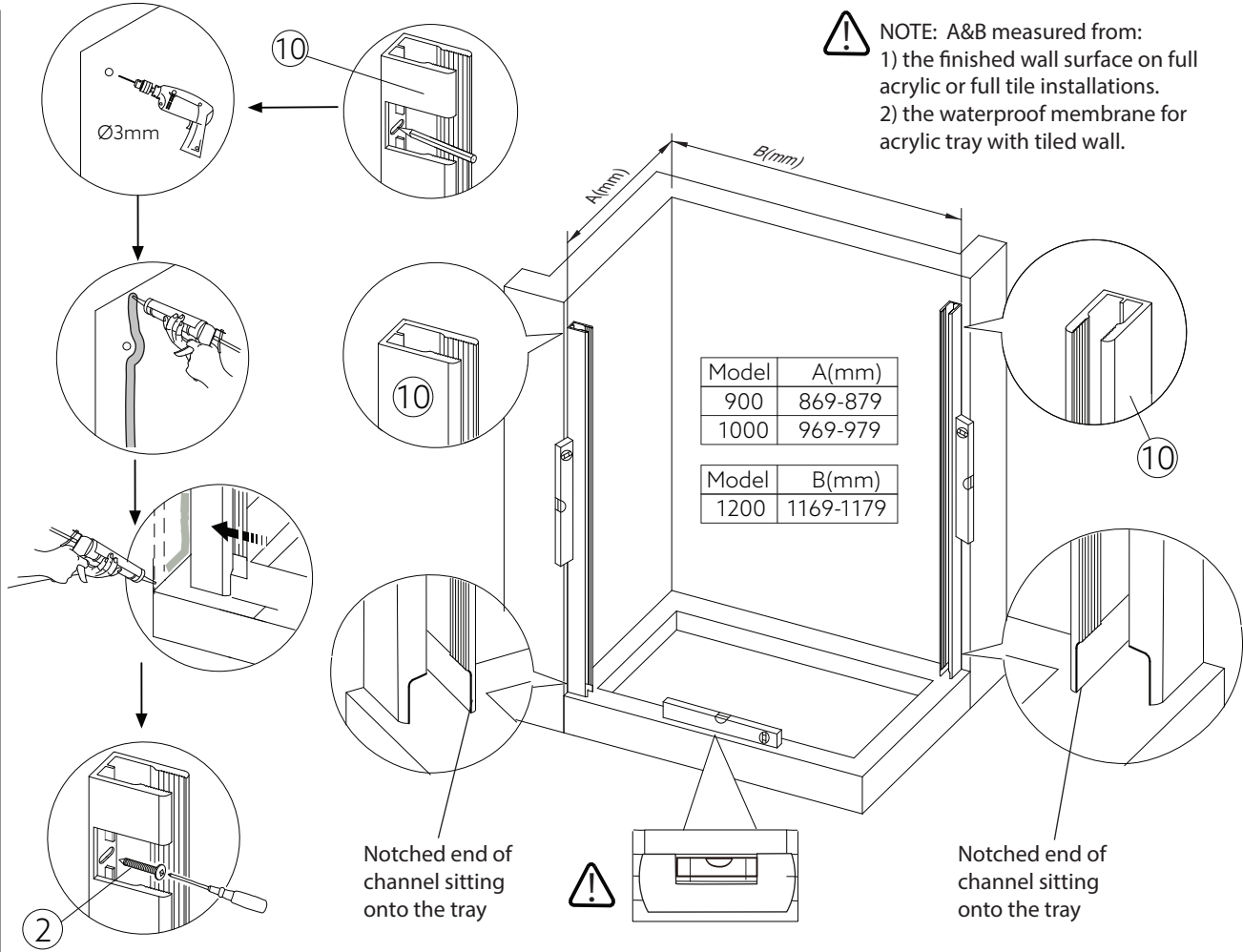
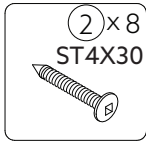
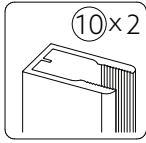
**Left Hand  
Installation**



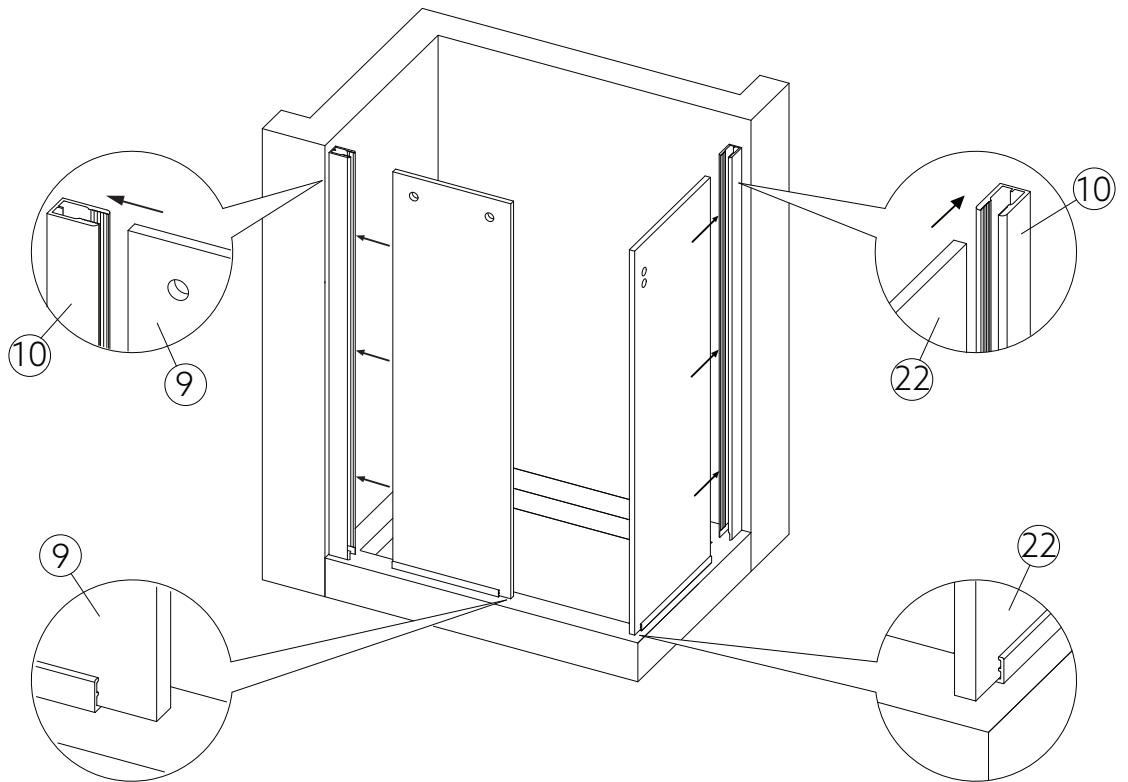
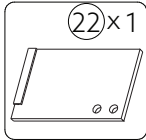
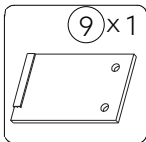
**Right Hand  
Installation**



**2**

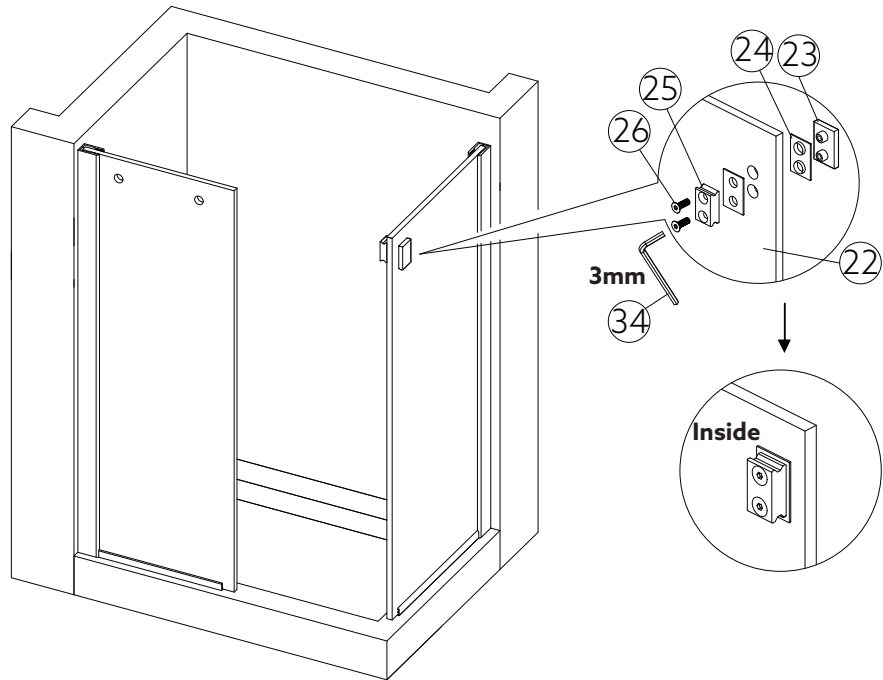
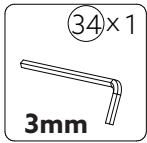
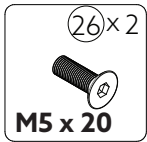
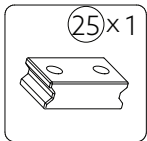
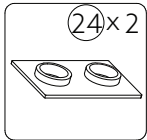
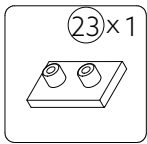


**3**

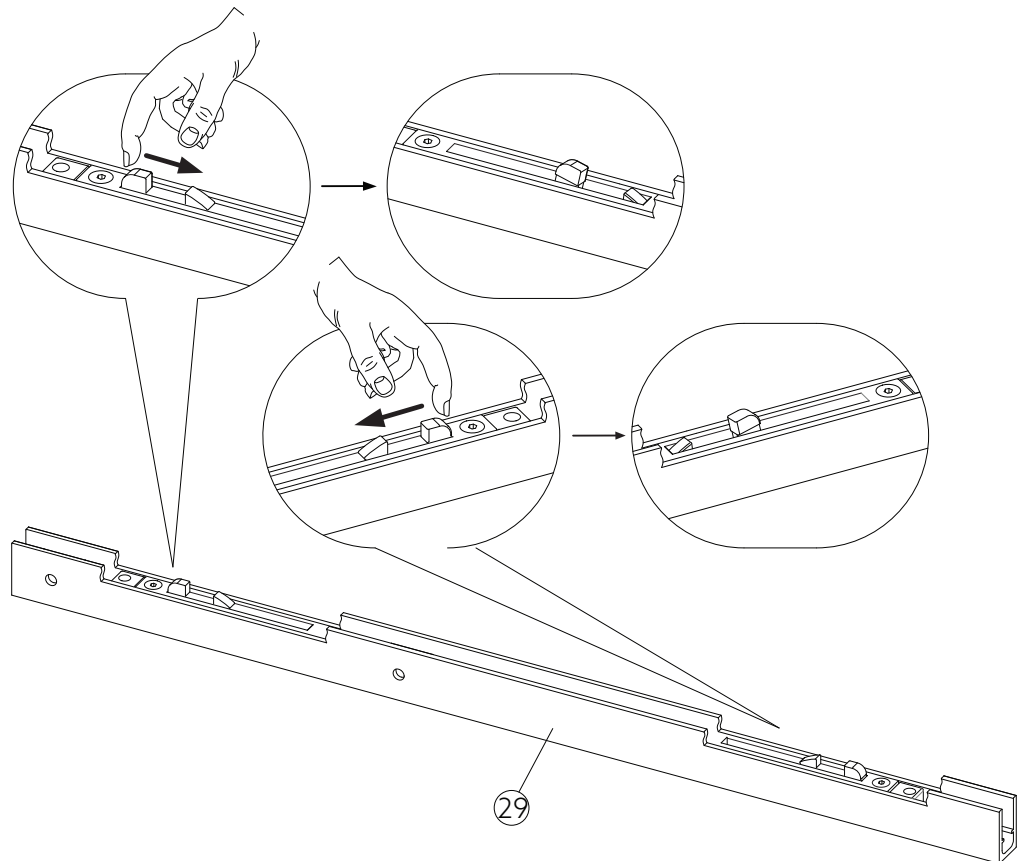
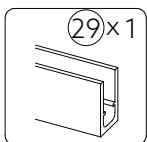




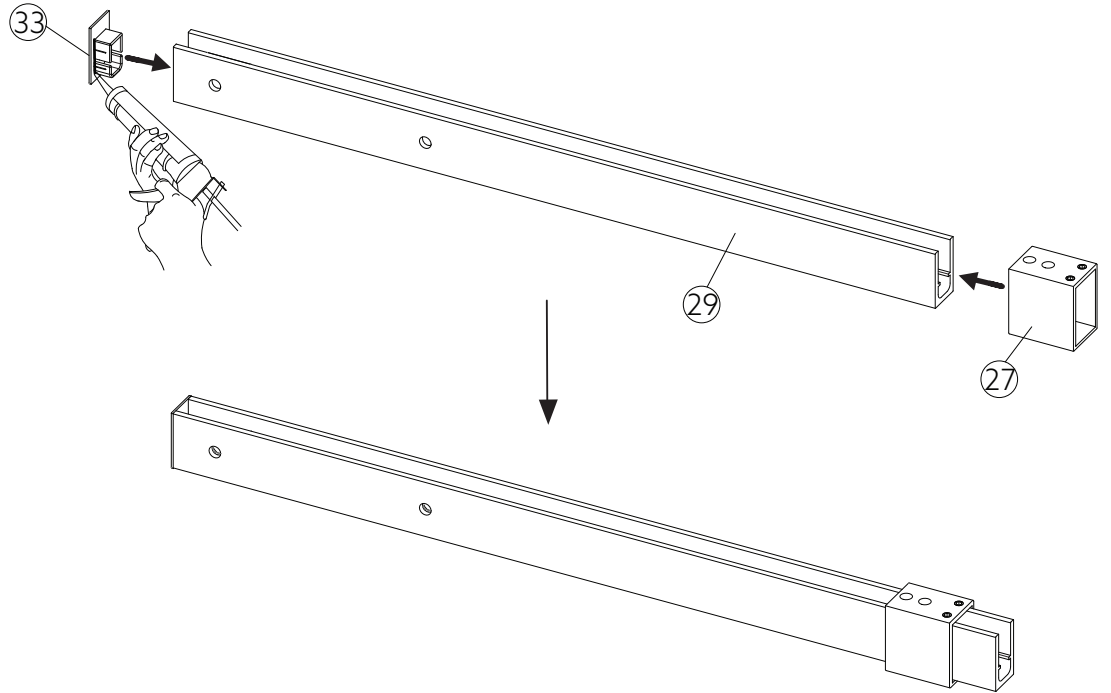
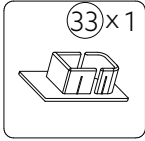
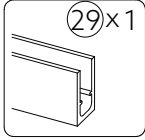
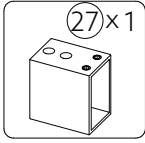
**4**



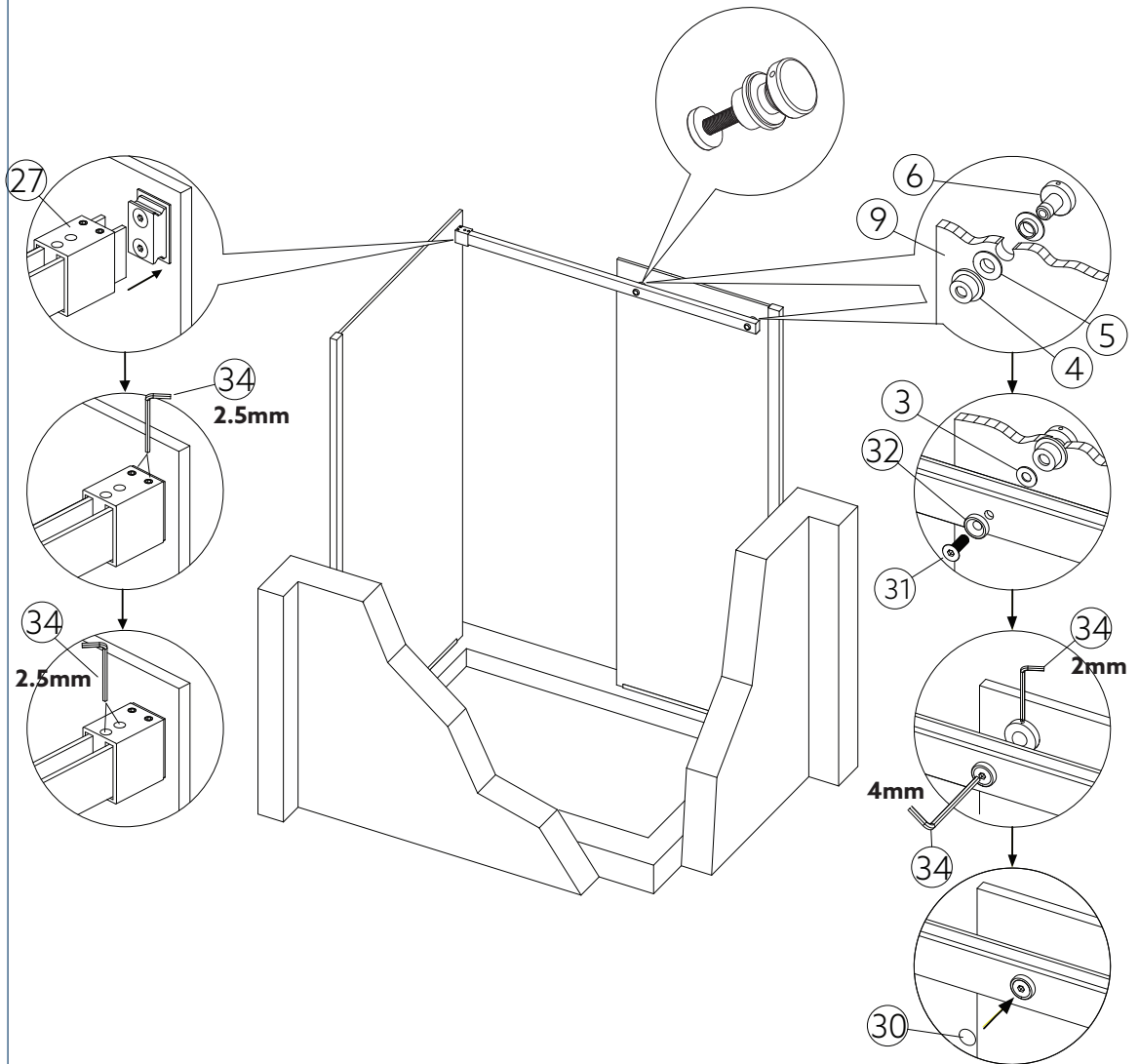
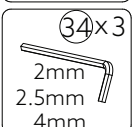
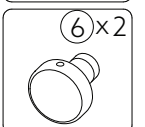
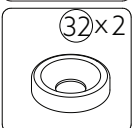
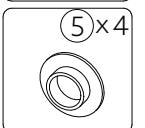
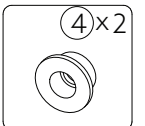
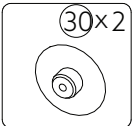
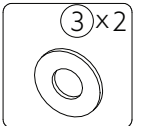
**5**



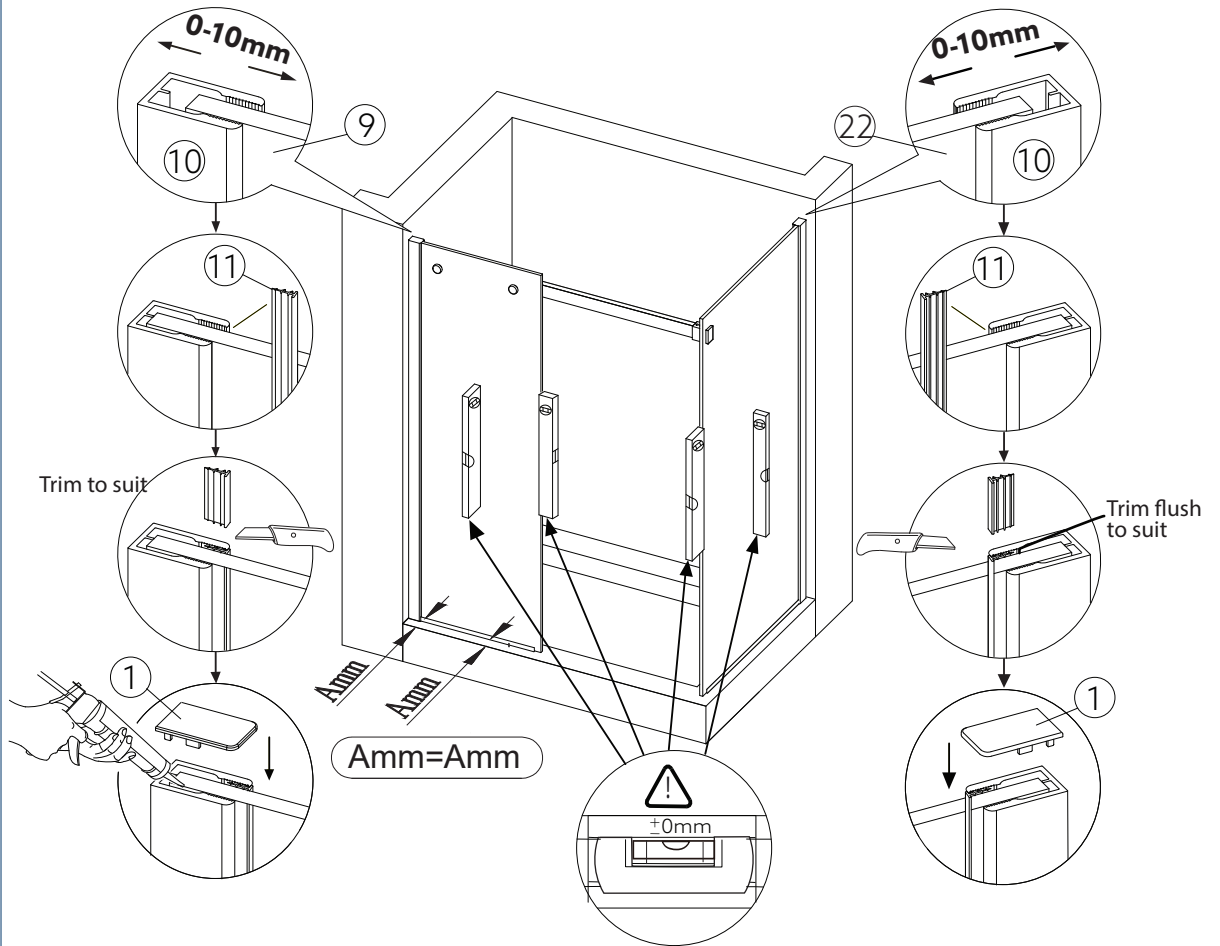
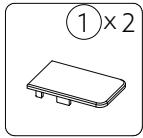
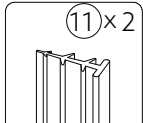
6



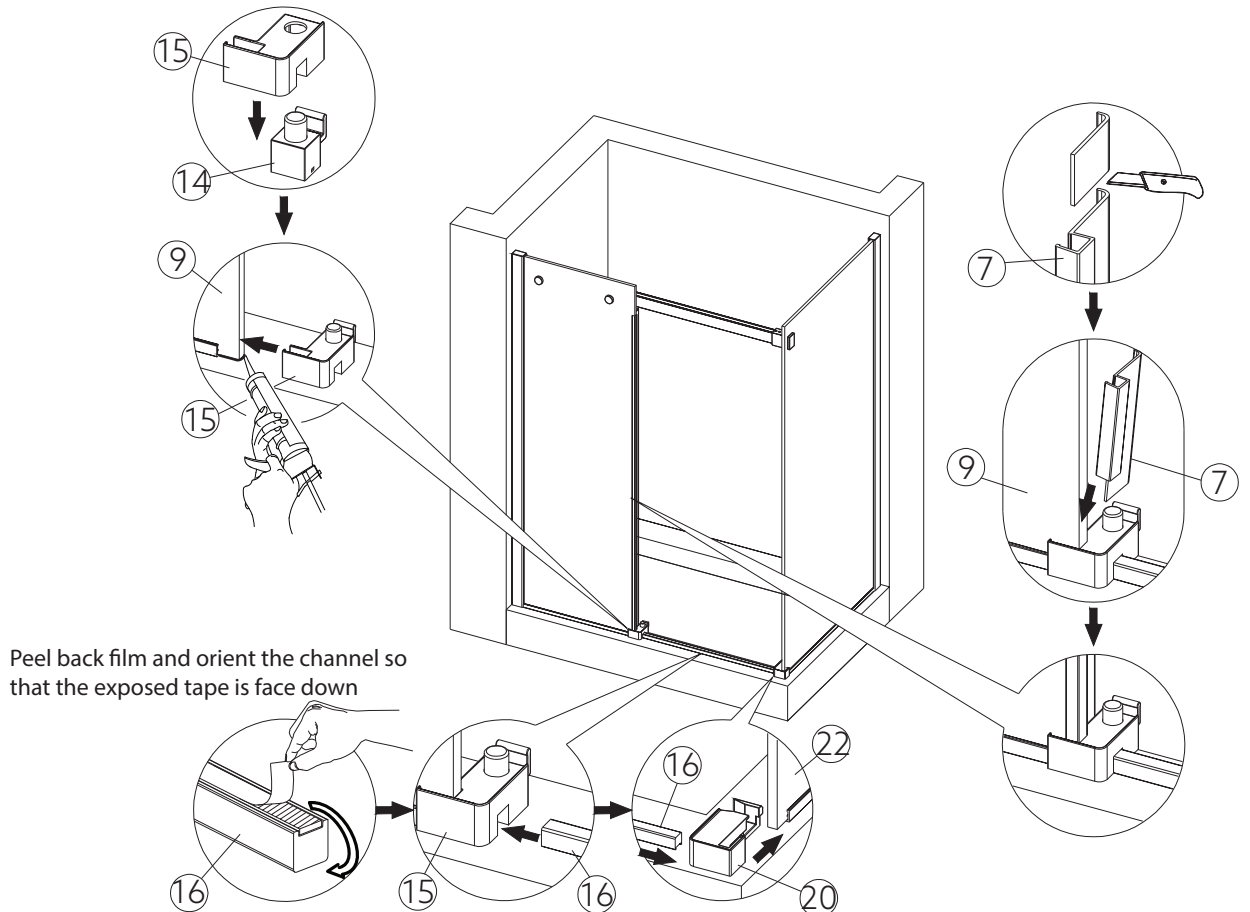
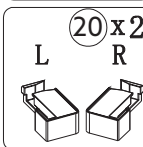
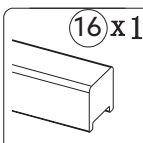
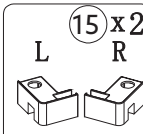
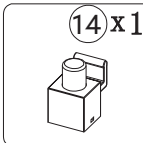
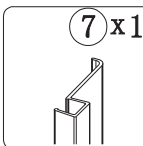
7



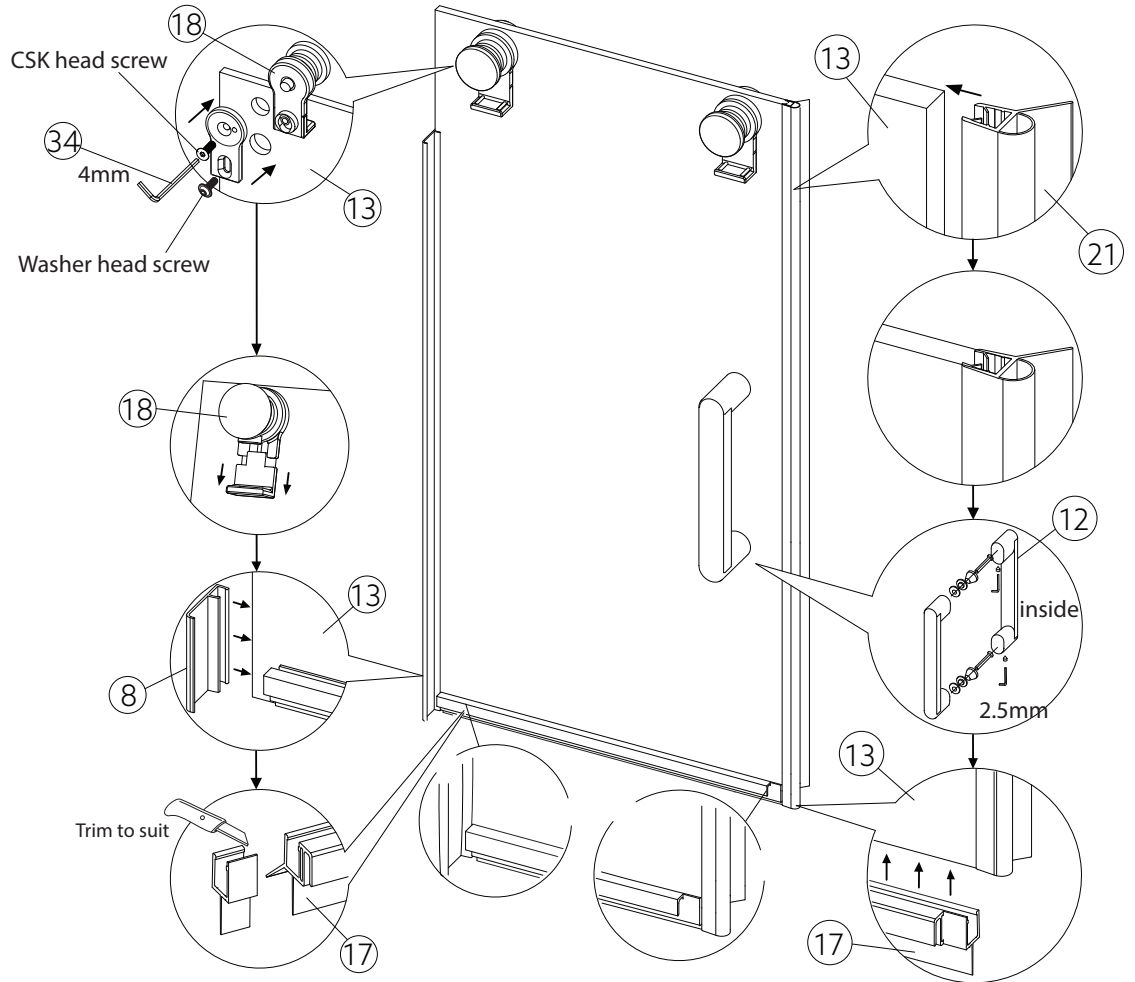
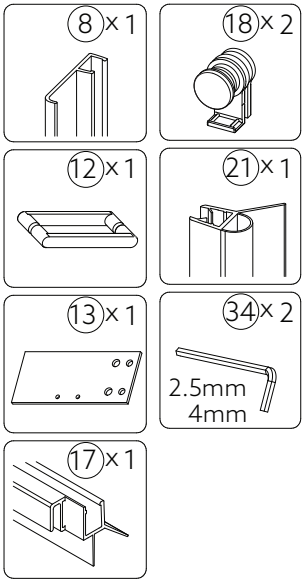
8



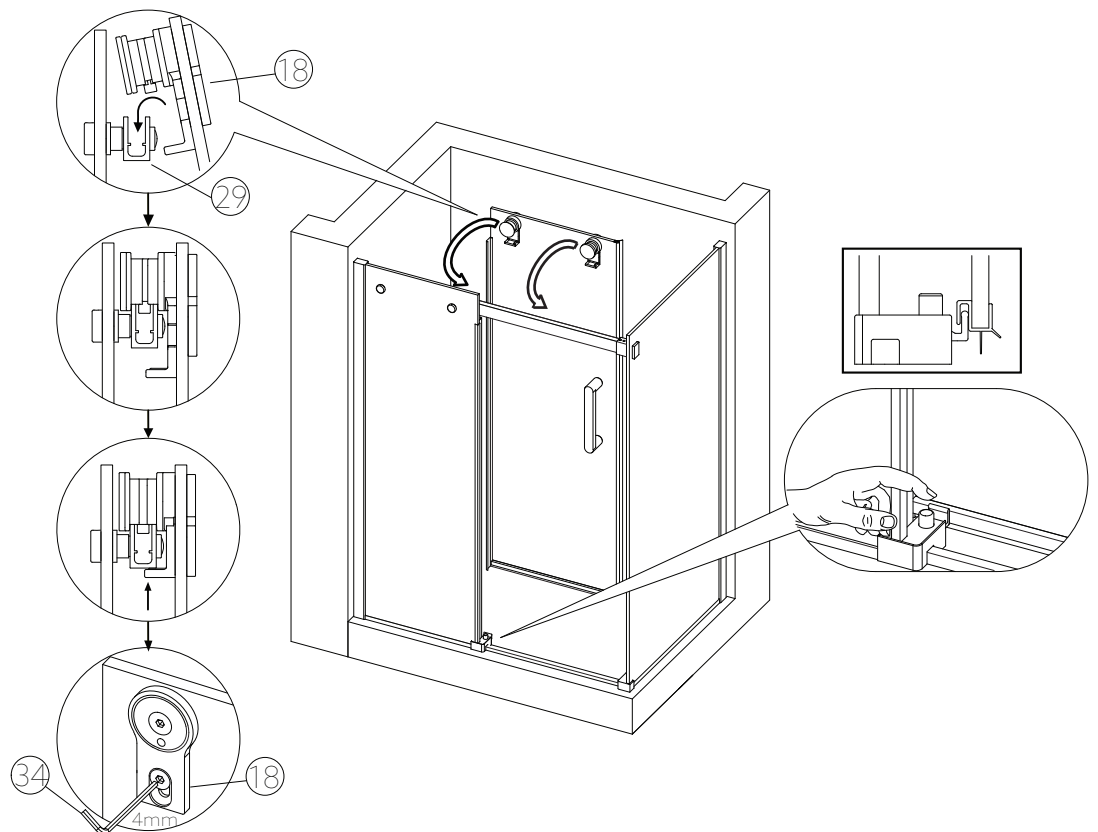
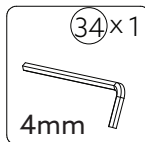
9



**10**

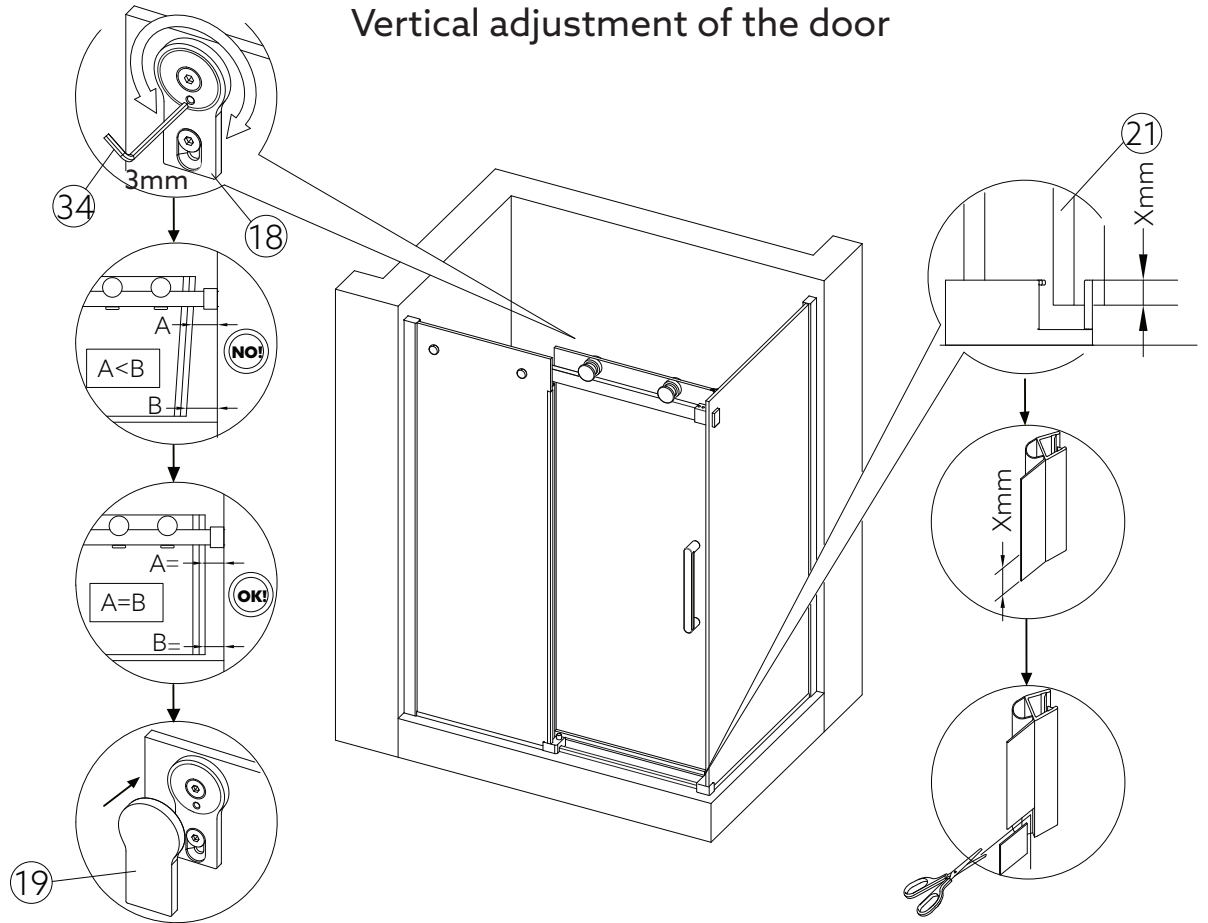
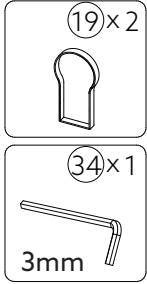


**11**



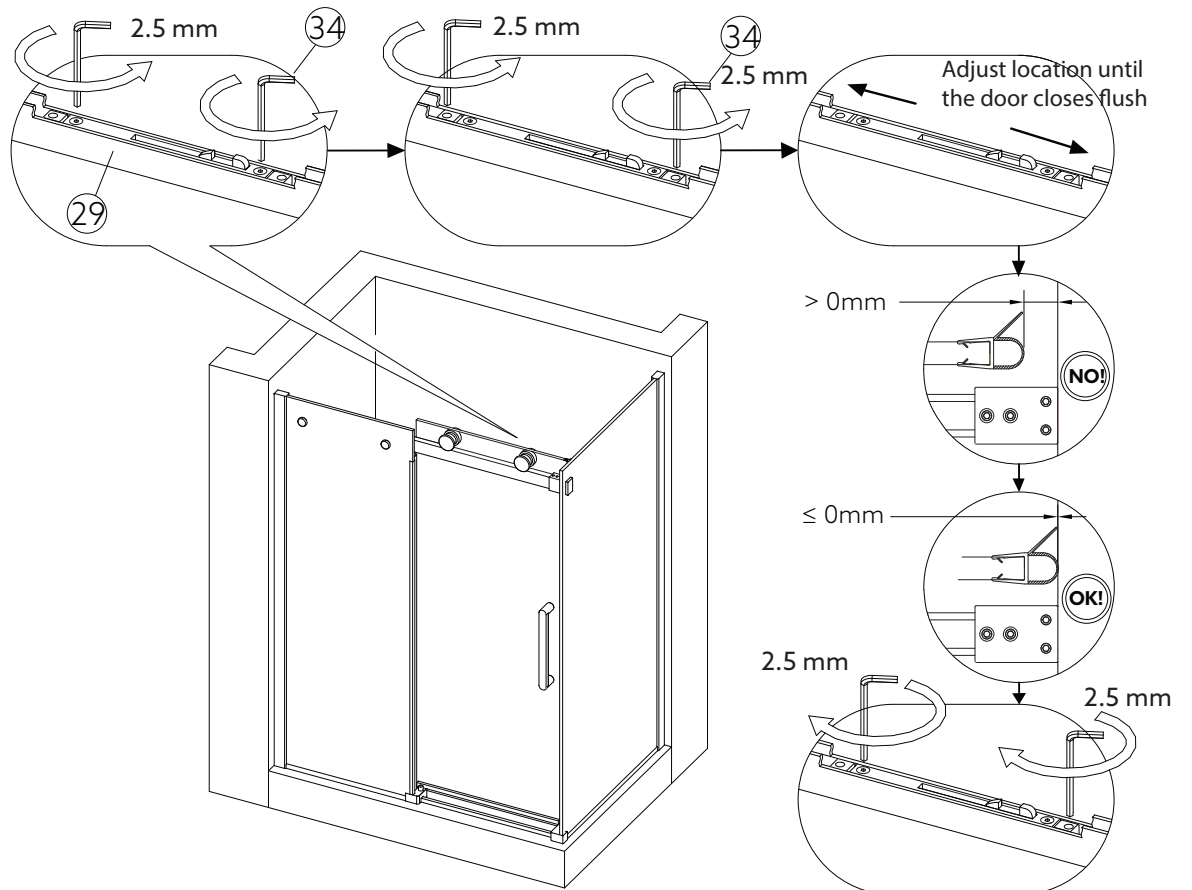
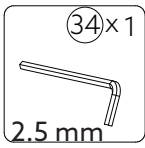
12

Vertical adjustment of the door

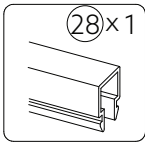


13

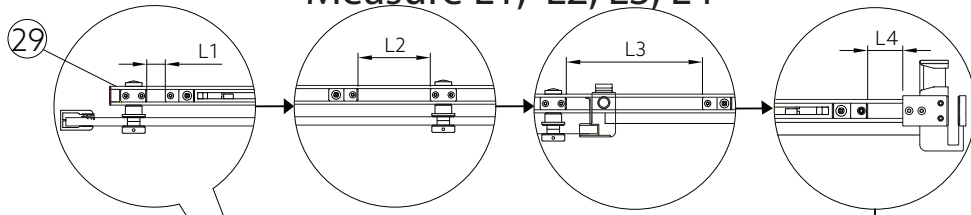
Horizontal adjustment of the door



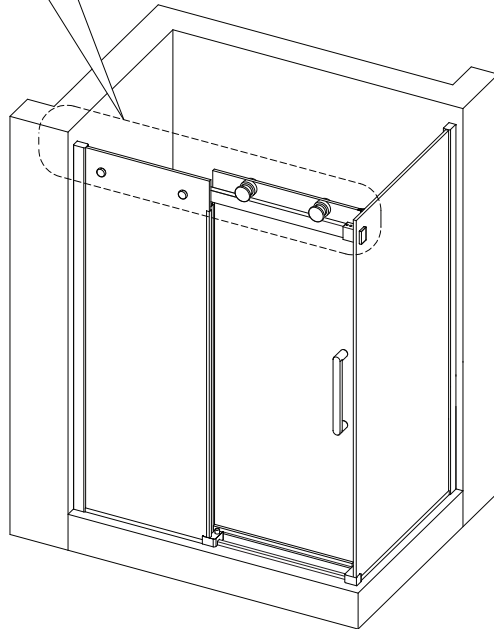
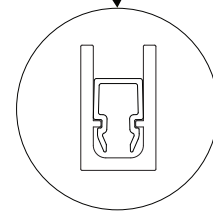
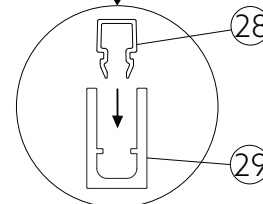
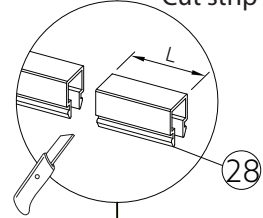
14



Measure L1, L2, L3, L4



Cut strip to match



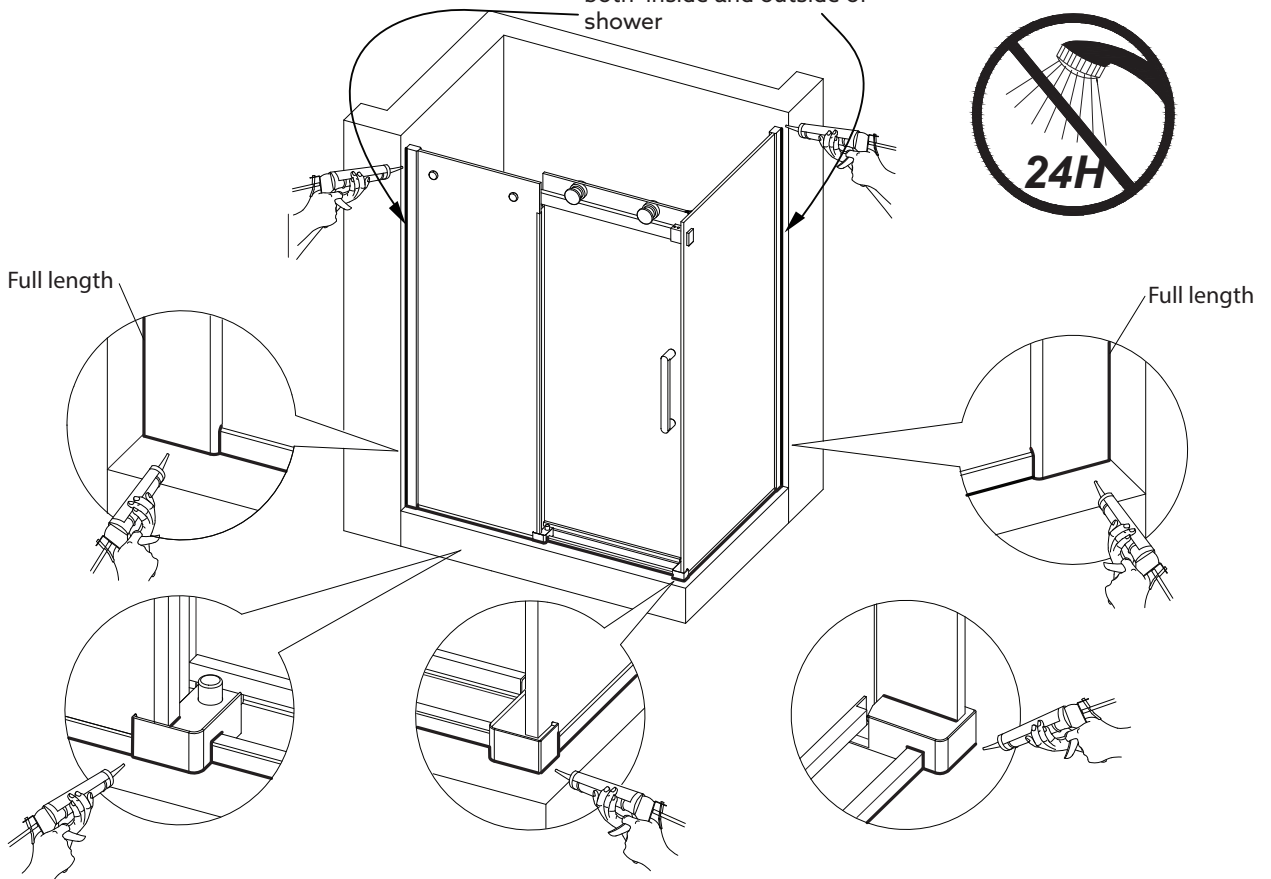
15

Apply silicone on full length, both inside and outside of shower



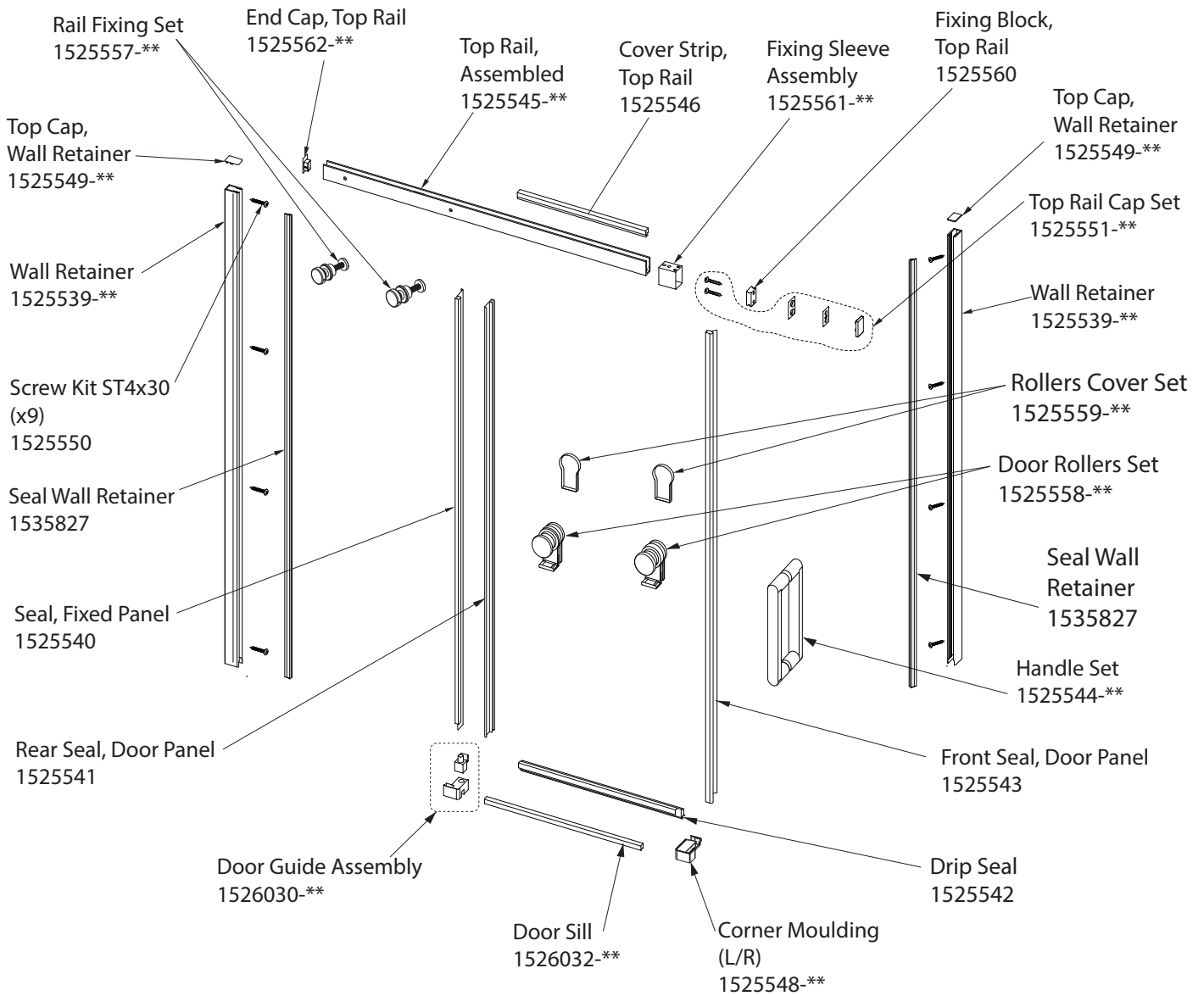
Full length

Full length



**SPARE PARTS:**

Scan the QR barcode on the packaging or underside of top cap to identify the product SKU and date of manufacture



## **CONTACT AND WARRANTY INFORMATION:**

---

**NEW ZEALAND**  
**KOHLER NZ LTD**

**AUSTRALIA**  
**KOHLER AUSTRALIA**

Free Ph: 0800 100 382  
Free Fax: 0800 664 488  
[www.inglefield.co.nz](http://www.inglefield.co.nz)

Free Ph: 1 800 ENGLEFIELD  
(1 800 364 533)  
[www.inglefield.com](http://www.inglefield.com)

For warranty information, please visit our website.

