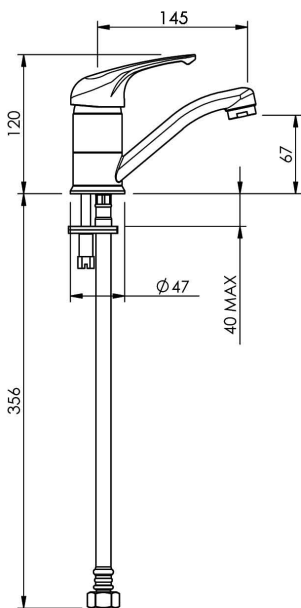


PROMIX MINI BASIN MIXER



CONSTRUCTION: Brass body

CARTRIDGE TYPE: Ceramic

CLASSIFICATION: Suitable for **all pressure** systems

INLET CONNECTIONS: 1/2" BSP

WORKING PRESSURE: 35 - 1000kPa

DIMENSIONS FOR FITTING: 35mm diameter hole

OPERATING TEMPERATURE: 5 °C - 80 °C

WATER FLOW RATE: 7.5 l/m - 6.0 l/pm

- Stainless steel flexible hoses for installation
- Fitted with perlator and flow director
- O-ring seal on base
- Integral flow restrictor to balance flows
- Tubular swivel spouts
- Bench top cannot exceed 40 mm thickness
- 4 star WELS rated on mains pressure (7.5 l/pm)
- 5 star WELS rated on low pressure (6.0 l/pm)
- NEW handle design

PRBSWCP2

Chrome

<http://www.methven.com/nz/promix-swivel-basin-mixer>