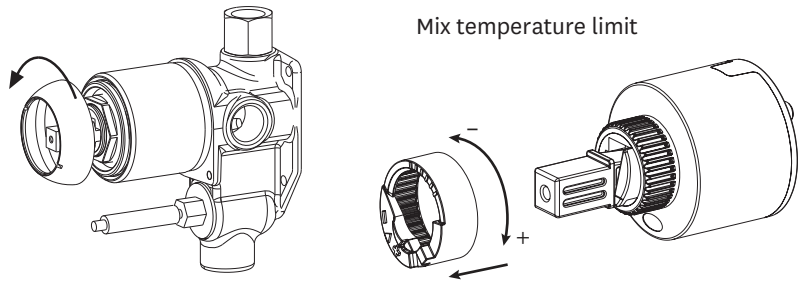
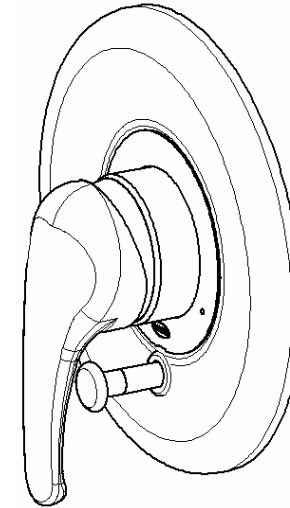


Ceramic Cartridge Adjustment

Do not remove the ceramic cartridge from the body assembly while carrying out the following adjustments. Note, the cartridge is factory set for maximum temperature



PROMIX SHOWER MIXER WITH DIVERTOR INSTALLATION GUIDE



Methven warrants this product against manufacturing defects and that it is suitable for use under the operating conditions specified in this instruction sheet.

For your warranty please refer to www.methven.com or call Customer Service

New Zealand
0800 804 222

Australia
1300 638 483

USA
1800 975 5409

UK
0800 195 1602

Technical Specifications

Operating pressure: Min 150kPa, Max 1000kPa.

Recommended 150 to 500kPa. Install a NEFA PLV if supply pressure exceeds 1000kPa.

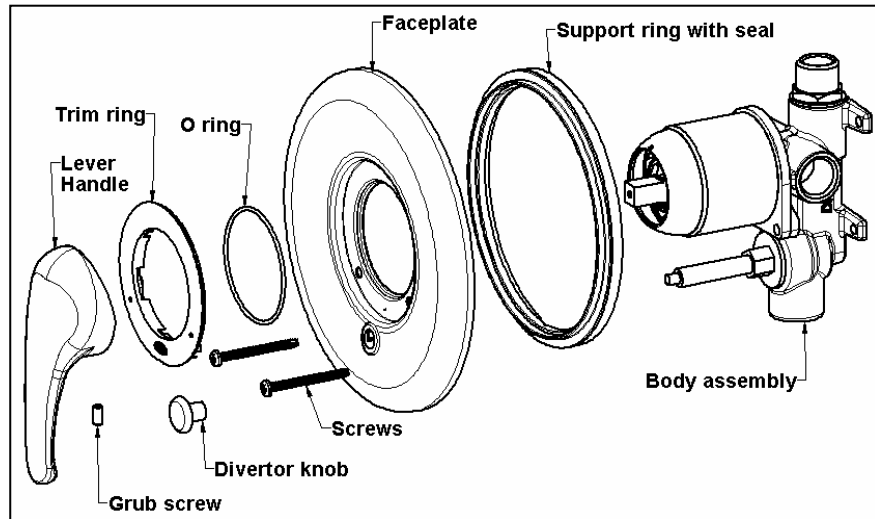
Operating Temperature: Recommended 5°C to 65°C. Max 80°C. AS/NZS3500 requires maximum 55°C to all sanitary fittings.

Connections: All 1/2" BSP

IMPORTANT

Please read all instructions before installing

Avoid restrictive piping, fitting or sharp angled bends when plumbing the mixer. The maximum recommended pressure of the ceramic cartridge is 500kPa. Do not plug the outlet when hydrostatically testing a new installation as this may damage the ceramic cartridge.



All pipe work must be thoroughly flushed prior to installation of the mixer. NEFA inline filters must be installed on both hot and cold supplies to prevent foreign particles damaging the ceramic cartridge.

