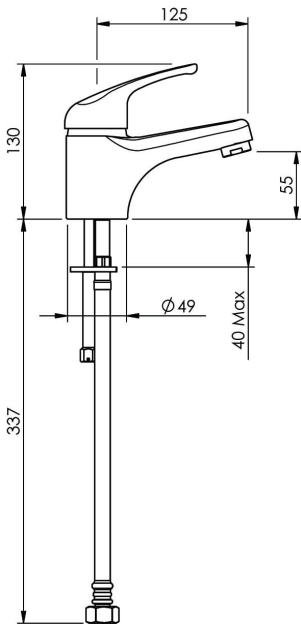


## PROMIX BASIN MIXER



**CONSTRUCTION:** Brass body

**CARTRIDGE TYPE:** Ceramic

**CLASSIFICATION:** Suitable for **mains pressure** only

**INLET CONNECTIONS:** 1/2" BSP

**WORKING PRESSURE:** 150 - 1000kPa

**DIMENSIONS FOR FITTING:** 35mm diameter hole

**OPERATING TEMPERATURE:** 5 °C - 80 °C

**WATER FLOW RATE:** 8.0 l/m

- Stainless steel flexible hoses for installation
- Fitted with perlator
- O-ring seal on base
- 3 star WELS rated on mains pressure
- Bench top cannot exceed 40 mm thickness

PRSLBCP

Chrome

<http://www.methven.com/nz/promix-basin-mixer>