

**IMPORTANT**

- Isolate the mains supply before making any electrical connections.
- This system should be installed by a qualified electrician.
- The external grille must be fitted at all times.
- Fan should only be installed by fixed wiring (unless equipped with plug).
- The appliance is not intended for use by young children or infirm persons without supervision.
- Young children should be supervised to ensure that they do not play with the appliance.
- Precautions must be taken to avoid the back-flow of gases into the room from the open flue of gas or other open-fire appliances when mounted in outside windows or walls.

**MixFlo PRO SERIES IN-LINE FAN KITS**

Thank you for selecting one of our Pro Series mixed flow in-line fan kits. Please read all instructions before commencing installation.

1. The **interior grille** comes in two parts, the chassis (or spigot) and the fascia. The best way to extract steam from the bathroom is to locate the grill in the ceiling centred above the shower/bath area. For general bathroom extraction the grill can be installed centred in the room. Cut hole in ceiling for grill (See Fig 1. for hole sizing).

If using the gib fixing clip option the white fastening wedge-type clips must be fitted onto the grille body – the closed end of the ‘V’ points towards the rear of the grille. Start the screw through the flange on the grille into the screw-hole in the clip with two or three turns. If the ceiling or wall lining is thicker than standard 12mm board it may be necessary to use longer screws than those supplied. When fitted, fasten the ducting onto the grilles using the tape supplied.

Push the grille fully into the hole and then use a screwdriver to push the clips up into the hole. Once through the hole the clips will spring open and can then be tightened with the screw to pull back down onto the rear side of the gib. Tighten until firm only, do not over-tighten.

Fit the fascia onto the chassis. Note there are two lugs on the rear rim of the egg-crate insert which locate into corresponding slots in the black housing, adjacent to the ends of the bridge-piece in the housing. This ensures the egg-crate pattern is lined up with the bridge-piece correctly.

2. Select a suitable place for the fan to be installed in the ceiling cavity centrally in the ducted system. It is recommended to suspend your MixFlo fan from the ceiling framing with strapping (DCT2299) or fan mounting brackets (FAN0015) to minimise sound levels resonating through ceiling framing (Fig. 6).

**Note:**

- **The discharge end of the Fan unit is the end where you can see the fan blade clearly. There is also an arrow on the unit showing airflow direction.**
- **Excessive ducting and sharp bends lower the fans performance. Before cutting, assure ducting is long enough with gradual bends.**

3. For the **exterior grille** there are two options, either a weatherproof cowl or a fixed grille. Select a suitable position either in the soffit or on an outside wall for your chosen grille. Carefully remove the grille insert/cowl from its housing by levering gently at the sides with a small screwdriver. Cut hole as per Fig. 1.



MixFlo Pro Series is proudly distributed by Simx Limited  
 Technical Support (09) 259 1662  
 e: sales@simx.co.nz | www.simx.co.nz



5468

- Attach one end of the flexible duct to the spigot of the inside grill with the duct tape provided. Pull ducting to fan, cut, and tape.

Attach remaining ducting to the discharge side of the fan and feed other end through exterior grill hole. Leave ducting long enough to tape spigot of outside grill. Cut off excess ducting and tape to grill. Push grill in to place and fasten to wall/soffit.

To make the electrical connections:

Loosen the 4 screws (K) and take off the connection cover (M) (Fig. 2).

Cut the electrical supply gromet (D) to allow the power supply wires to pass through.

Make the appropriate electrical connections as indicated in Figs. 3, 4 or 5:

- If you wish to install a switch to choose between high speed (HS) and low speed (LS), see the wiring diagram in (Fig. 3).
- If you wish the fan to work only at low speed (LS), see the wiring diagram in (Fig. 4).
- If you wish the fan to work at high speed (HS), see the wiring diagram in (Fig. 5).

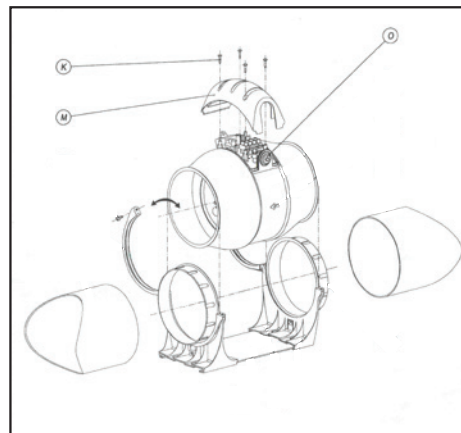
## ELECTRICAL CONNECTION

- The extractor fan must be connected to a single-phase mains network, with the voltage and frequency indicated on the fan specification plate.
- The installation must have a switch with a distance between contacts equal to or over 3mm.
- Earthing is not required as this fan has double insulation. (Class II).
- If the fan model you have purchased is not fitted with a supply cord then please note that it must be wired with a fixed permanent connection.

**Fig. 1: Hole cut out sizing**

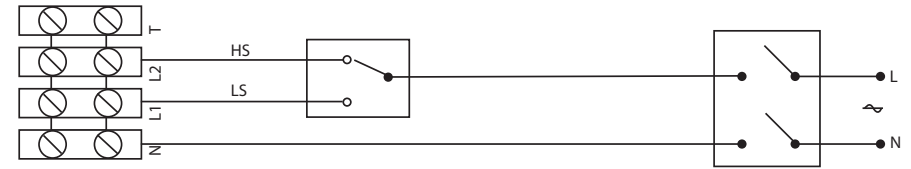
	MFLP100 (FAN2049)	MFLP125 (FAN2050)	MFLP150 (FAN2051)
Interior Grille (with gib clips)	115mm	130mm	165mm
Interior Grille (without clips)	105mm	125mm	155mm
Exterior Grille	110mm	135mm	160mm

**Fig. 2: Fan assembly**

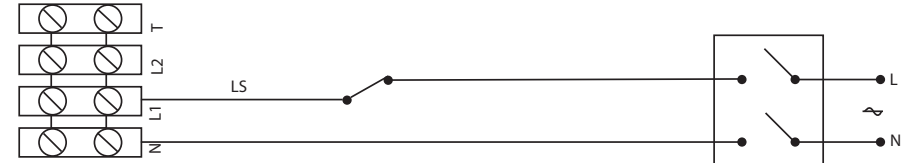


**Wiring Diagrams below for the speed options:**

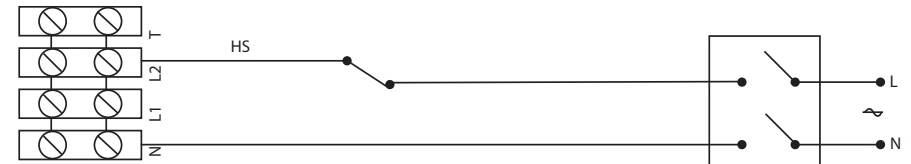
**Fig. 3: 2 Speed control**



**Fig. 4: Low Speed control only**



**Fig. 5: High Speed control only**



**Fig. 6:**

