

MANROSE[®]
DESIGNER SERIES

MANUAL

INTELLIVENT[®] CELSIUS

EN

5
YEAR
WARRANTY

Thank you for choosing this product from Manrose. Before installing and using the fan, read through these instructions. Keep them safe for reference in future.

SPECIFICATIONS

IMPORTANT

All electrical work must be carried out in accordance with local and national electrical codes as applicable. We strongly recommend that this light fitting is installed by a registered electrician.

Always switch power off prior to installation. A means of mains power isolation must be installed on the circuit for the purpose of safe access for any internal cleaning, recalibration, or maintenance.

This light fitting is not intended for use by persons (including children) with reduced physical, sensory or mental capabilities, or lack of experience and knowledge, unless they have been given supervision or instruction concerning use of the appliance by a person responsible for their safety. Young children should be supervised to ensure that they do not play with the appliance.

There are no user servicable parts in this light fitting. Any changes or modifications made or attempted to this product, without the prior written approval of the manufacturer, will void any and all stated warranties.

Intelivent Celsius Specifications,

MANROSE

FAN6051 INTELLIVENT CELSIUS WHITE

100-240V~50-60Hz

MAX WATTS: 8W

IP44 CLASS II

4 Description of functions

5 Installation guide

- 1 Contents
- 2 Installation
- 3 Connection
- 4 Connecting a pull cord switch
- 5 Factory setting
- 6 Setting the fan

9 Functional description

10 Advanced functions

- Activation of constant operation
- Calibration of thermostat
- Calibration of the difference between the cut-in and cut-off temperature (hysteresis)

12 LED indicators

13 Maintenance

15 Warranty

15 Recycling

16 Accessories

17 Technical data

18 Troubleshooting guide

Description of functions

- **Thermostat**

Celsius is equipped with a built-in thermostat which means that the fan starts when the temperature reaches the set value.

- **Speed control**

The intergrated speed control allows you to adjust the noise level and capacity to meet your needs.

- **Continuous operation**

FAN running continuously.

- **Pause function**

The fan can be paused for one hour using the pull cord.

- **Multi-pole switch**

The fan is fitted with an approved multi-pole switch, which means that an external switch is not required.

- **LED indicators**

An LED indicates which mode the fan is in at any one time.

- **12-volt motor**

Long-life DC motor. This type of motor also runs silently.

A more detailed functional description appears on page 9.

Installation guide

1 Contents

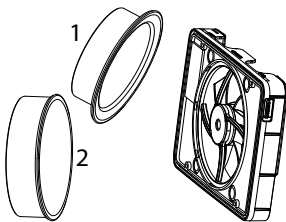
The packaging should contain the following:

- Fan
- 2 adapters, 1 x Ø98 mm and 1 x Ø118 mm
- Manual
- Accessory bag with 4 screws and plugs, a pull cord with toggle, and insulation for the standard cable type (FK).

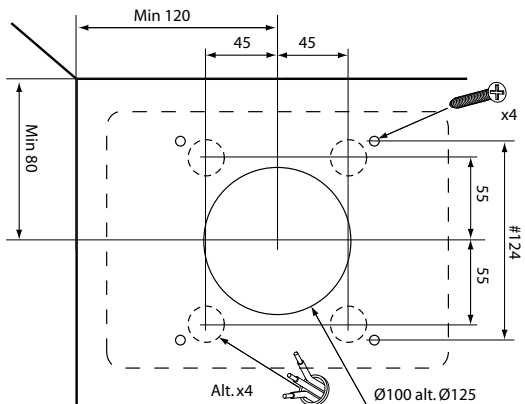
2 Installation

The fan can be installed on a wall or on a ceiling. See the diagram below for installation dimensions. The fan must not be installed in an environment where the temperature exceeds 50°C. Attach an appropriate adapter to the fan's chassis, Ø98 (1) for a Ø100 duct or Ø118 (2) for a Ø125 duct.

The fan can also be installed and used without an adapter, so that it is mounted completely on the surface, e.g. in the case of ducts less than Ø98.



When installing the fan, check that there is a seal between the pipe/duct and wall/ceiling to prevent air from penetrating the wall or ceiling. Use the accompanying screw and plug, if necessary.



3 Wiring

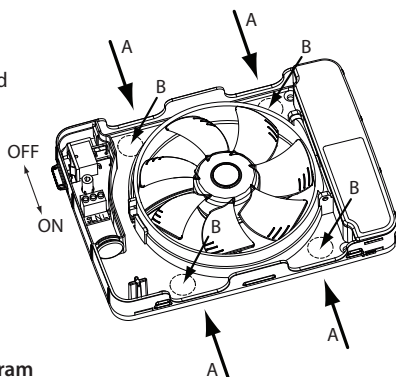
- All electrical work must be carried out by a registered electrician.
- The fan is double insulated and must not be earthed.
- The fan is fitted with an approved multi-pole switch and does not require a pre-wired external switch.

- 1 Push the safety switch up to position 0 - OFF.
- 2 The cable can be installed either along the surface using entries A in the chassis or concealed using entries B in the chassis. Both options are shown below. Use the insulating sleeve supplied for the cable (FK).
- 3 If you use any of the B inlets, remove the concealed round plastic cover by tapping inside the break-off notch from the inside out to the back with a screwdriver, for example.

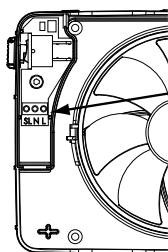
Cable entries

A = surface

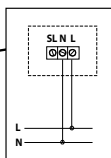
B = concealed



Wiring diagram

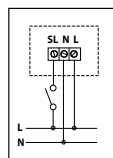


Alt. 1



Alt. 1 Standard

Alt. 2

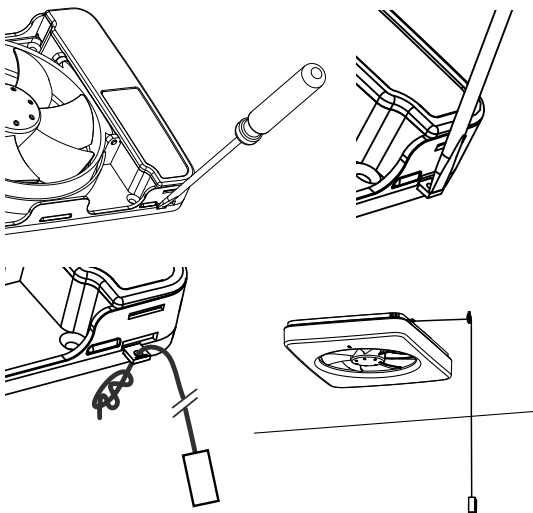


Alt. 2 for forcing (see page 11)

4 Connecting the pull cord switch

If desired, a pull cord can be installed for activating the pause function and to help calibrate the fan.

Remove the mounting plate using a screwdriver, for example, and thread the accompanying pull cord through the hole.



- Once installation is complete, push the safety switch down to position I – ON, to make the fan active again.

When the fan is connected to the power supply, it performs a self-test where electronics, LEDs and operation of the motor are all tested.

The fan is now ready for use.

5 Factory setting

- temperature – 26°C
- speed – step 5 (70% of max)
- constant operation – off

Re-setting to factory settings

Keep the SPEED minus key pressed in for at least five seconds.

6 Setting the fan

You can use the control panel to quickly and easily set those parameters you require:

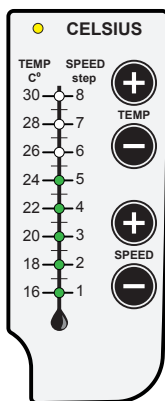
1. Starting temperature.

Set the desired starting temperature using the plus and minus TEMP keys

2. Speed

Set the desired speed using the plus and minus keys (SPEED).

The fan is now ready for use. For more advanced settings, go to page 10.



Functional description

Heat transfer / thermostat

The Celsius is fitted with an integrated electronic thermostat. This starts the fan when the temperature exceeds the preset value. The fan can easily be adjusted to start between 16 and 30°C. The factory setting for the starting point is approx. 26°C. The starting point is adjusted using the plus and minus keys (TEMP) on the control panel.

The start value is indicated by the LED lamps on the thermometer scale. When the thermostat activates the fan, the yellow indicator lamp lights up.

Before the starting point is adjusted, the fan must be connected for at least 30 minutes. This is in order for the fan's electrics to reach operating temperature.

RPM settings

The fan speed can be set to anything from 50% up to maximum speed. The plus and minus keys (SPEED) on the control panel are used to set the preferred speed.

The speed is indicated by a column of LED lamps labelled with a scale from 1 to 8. If you adjust the speed down to zero (no lamp is lit), the fan stops.

Constant operation

The Celsius also has a constant operation function.

The fan runs continuously at a preset speed.

The yellow indicator lamp does not light up during constant operation. It is first lit when the thermostat is activated, the fan then reaches the speed set for heat transfer.

Pause function

The pause function means that the fan stops (whichever mode it is in) and remains inactive for one hour. The pause function is activated by pulling the pull cord; after one hour the fan resumes operation. During this time the yellow indicator lamp flashes. The pause function can be cancelled by pulling the cord a second time.

Advanced functions

Activation of constant operation

- Pull the cord switch mechanism once
 - the yellow indicator lamp flashes.
- Set the desired speed using the plus and minus keys (SPEED).
- Pull the cord switch mechanism
 - yellow indicator lamp stops flashing.

The fan now runs constantly even when the fan's thermostat function is not activated. This means that the fan can operate at two individual speeds at constant operation or thermostat operation if desired.

Switching off constant operation

- Pull the cord switch mechanism once
 - the yellow indicator lamp flashes.
- Press the minus key (SPEED) until no green indicator lamps are lit – the fan stops.
- Pull the cord switch mechanism
 - yellow indicator lamp stops flashing.

Calibration of thermostat

There may occasionally be a need to calibrate the thermostat. The fan must be connected for at least 30 minutes beforehand in order for the electronics to reach their operating temperature.

- Press in one of the plus or minus (TEMP) buttons.
- Then pull the cord switch mechanism once
- Release the button – the yellow indicator lamp flashes slowly

You are now in programming mode

Use the TEMP +/- buttons to adjust the temperature to the room/desired level.

The temperature is indicated by one or two indicator lamps. Even degrees are displayed with one lamp on the temperature scale and uneven degrees with two lamps, one above and one below the desired level. Pull the cord switch mechanism again and the yellow indicator lamp stops flashing. Calibration is now complete.

Calibration of the difference between the cut-in and cut-off temperature (hysteresis)

It may occasionally be necessary to adjust the difference between the cut-in and cut-off temperature (hysteresis).

The default value is 1.5°C.

- Press in one of the plus or minus (SPEED) buttons.
- Then pull the cord switch mechanism once
- Release the button – the yellow indicator lamp flashes quickly

You are now in programming mode

Now use the SPEED +/- buttons to adjust the temperature difference to the desired level.

The temperature is indicated by one or two indicator lamps. Whole degrees are displayed with one lamp on the speed scale and half degrees with two lamps, one above and one below the desired level. Each step adjusts the hysteresis by half a degree.

For example, if a difference of 2.5°C is desired, the temperature is increased until the indicator lamp 2 and 3 is lit on the speed scale.

The lowest hysteresis is 0.5°C as no lamps are lit.

When you have finished, pull the cord/switch mechanism once more and the yellow indicator lamp stops flashing.

Calibration of hysteresis is now complete.

Forcing with ignition wire (control phase SL)

The Celsius also has a forcing function. To gain access to this, the fan must be connected with ignition wire (control phase) to SL on the plinth.

Function:

Power supplied (current to SL) via an external switch causes the fan to run at max. speed independently of other active functions.

When the switch is turned off, the fan returns to the programmed function.

LED indicators

LED - what is the fan doing?

The fan uses a yellow indicator lamp to indicate heat transfer – the thermostat is switched on.

The yellow indicator lamp also has three different flashing speeds.

- Slowly – Calibrating the thermostat
- Medium – The pause function is activated
- Fast – adjustment of the difference between the cut-in and cut-off temperature (hysteresis).

If the constant operation function is used, no lamp lights up.

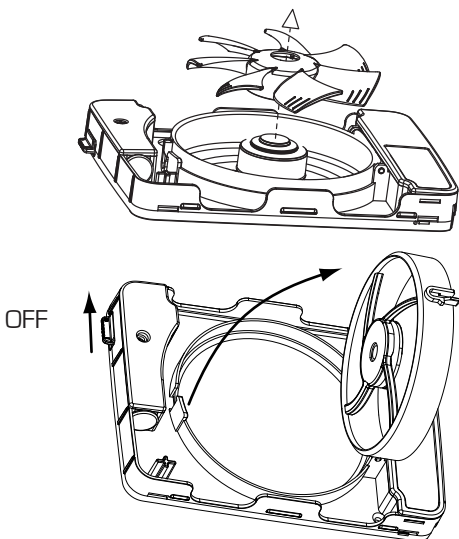
Maintenance

The Celsius is designed to work efficiently for many years.

Clean the fan at least twice a year, or as required.

Disconnect the power supply to the fan by pushing the multi-pole switch up to position O - OFF.

The fan is fitted with a removable impeller. Press in the centre using your thumb, grip the fan wings and pull the impeller off. The fan's "swing out" function is also useful, as it provides easy access to the duct. Press the motor ring's quick-release catch and swing out the motor/impeller.



When cleaning the fan, pay particular attention to the blades if these are dirty. Otherwise, there is a risk of imbalance and hence increased noise and a reduced life span for the motor bearings.

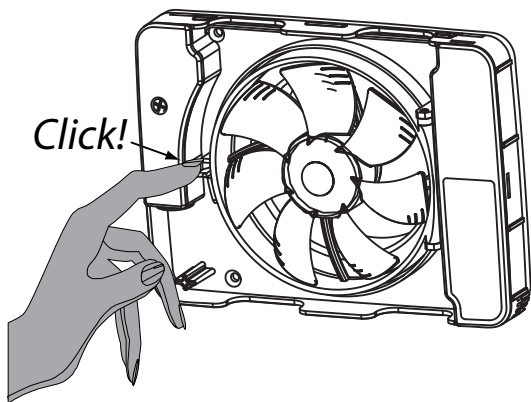
Clean the fan blades with a brush or paintbrush.
Clean the fan cover with a polishing cloth moistened with water and possibly a mild detergent.

NB! Never use solvents or similar products on any part of the fan, as there is a risk of them damaging the fan's plastic components!

Never submerge the fan in water, as there is a risk that this could seriously damage the fan.

After cleaning, swing the motor mount ring back into position and lock it by securing the snap-in catch. Remount the impeller, press in until it clicks into place. Switch the multi-pole switch back on by moving it down to position 1 - ON.

If maintenance of the fan is not performed as specified above, the product warranty will be void.



Warranty

We provide a **5 year warranty** against manufacturing defects.



For the warranty to be valid, proof of purchase is required and the fan:

- must be assembled and installed in accordance with the installation guide in this manual
- must have been maintained according to the maintenance instructions in this manual
- must be installed in a normal residential environment
- must be connected to a voltage of 240 V AC ~50Hz
- must not have been exposed to lightning or abnormal power surges
- must not have been subjected to tampering
- must have been installed in a zone rated as IP44
- must not have been installed in an environment where the temperature exceeded 50° Celsius.

Recycling

The product is marked with the WEEE symbol, which indicates that it must not be disposed of with household waste, but must be recycled at a suitable recycling location.



Accessories

There are a number of accessories available for Celsius to help you, as a user, install the product as smoothly as possible. Please refer to www.simx.co.nz, keyword "Intellivent", for all the latest accessories for your Intellivent.

Order Code	Dimensions	Description	Fits Intellivent Model
DCT4149	Ø 100 x 310mm	Thru Wall and Backdraught Kit	2.0 AND CELCIUS using 98mm adapter
DCT4150	Ø 125 x 310mm	Thru Wall and Backdraught Kit	2.0 AND CELCIUS using 118mm adapter

Order Code	Description	Fits Intellivent Model
DCT4151	Cover Plate - White	2.0 AND CELCIUS
DCT4152	Internal thru wall kit : Ø 100 x 100mm length	CELCIUS using 98mm adapter



DCT4149



DCT4150



DCT4151



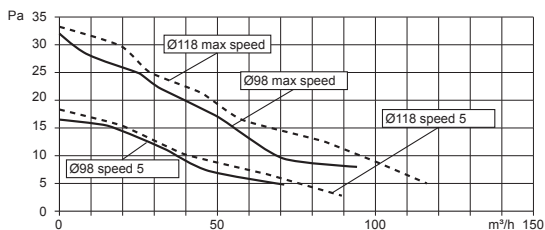
DCT4152

Technical data

Maximum capacity	134 m ³ /h
Sound pressure level 3 m (Speed increment 5)	21 dB(A)
Max Watts	8 W
Power consumption	2.1 - 5.5 W
Mounting dimensions in wall	0-30 mm
Holes	105-130 mm
Material	ABS plastic
Protection rating	IP44
Insulation class	
Voltage	100-240 V
Frequency	50-60 Hz

Duct dimensions	Speed steps 1-8	Capacity, free blowing (m ³ /h)	Sound pressure level 3 m (dB A)
Ø 100	1	32	10
Ø 100	2	41	12
Ø 100	3	49	14
Ø 100	4	61	18
Ø 100	5	70	21
Ø 100	6	77	23
Ø 100	7	85	25
Ø 100	8	105	28
Ø125	1	41	11
Ø125	2	55	13
Ø125	3	64	14.5
Ø125	4	79	18
Ø125	5	89	21
Ø125	6	98	24
Ø125	7	108	27
Ø 125	8	134	29

Capacity



TROUBLESHOOTING GUIDE

The fan does not start

The fan has been in use for some time

- Check that the fan impeller runs freely by spinning it.
- Remove the cover and restart the fan by turning the safety switch off and then on again. Leave the fan switched off for about 3 seconds before switching it back on.
- Perform a factory reset by holding the SPEED minus button for at least five seconds.

If the LEDs light up in sequence but the motor does not start, you can return the fan as long as it is within the warranty period and you have a receipt. See Warranty on page 15.

The fan has been cleaned

- Check that the fan impeller runs freely by spinning it.
- Check the position of the safety switch.
It should be in position I, which corresponds to On.

The fan runs non-stop

No LEDs on

- Check that the “constant operation” function is not activated. See page 10.
- Remove the cover and disconnect the power supply to the fan by moving the safety switch to 0. Then return the switch to I.
- Perform a factory reset by holding the SPEED minus button for at least five seconds.

Yellow LED is constantly on

- Remove the cover and disconnect the power supply to the fan by moving the safety switch to 0. Then return the switch to I.
- Check calibration and settings for thermostat.
- Then adjust the thermostat’s temperature to higher than that in the room if the stove is not lit.
The recommended starting temperature is at least 25°C

If the fan still runs nonstop, you can return the fan as long as it is within the warranty period and you have a receipt. See Warranty on page 15.

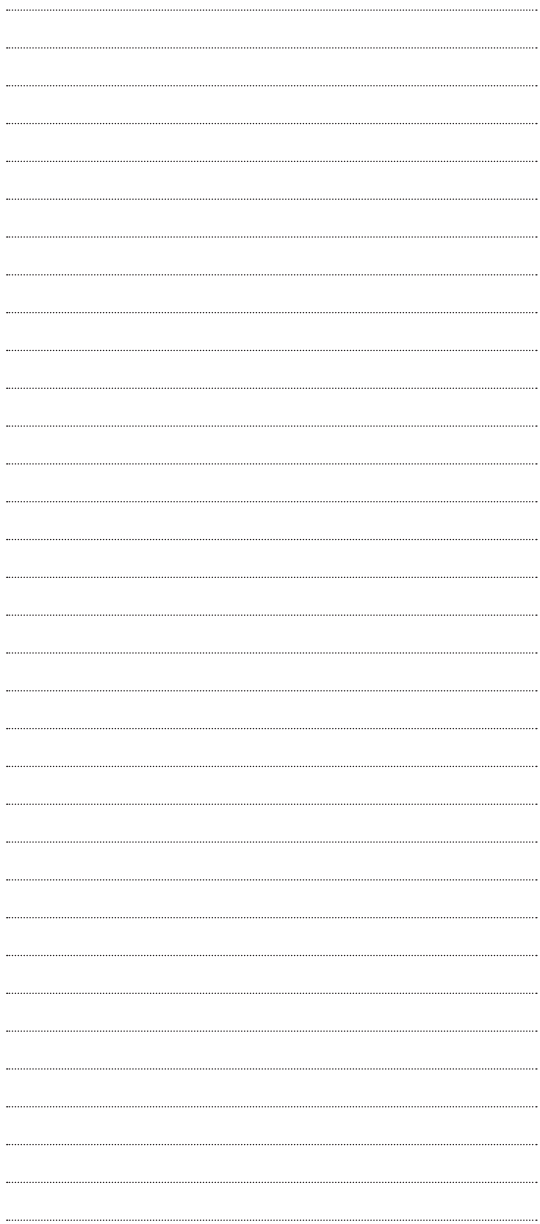
Other faults

The fan does not work as described

- Remove the cover and disconnect the power supply to the fan by moving the safety switch to 0. Then return the switch to I on/off.
- Perform a factory reset by holding the SPEED minus button for at least five seconds.

If the fan still does not work as described in this manual, contact your electrician.

Lined writing paper template with horizontal dashed lines.





MANROSE is proudly distributed by Simx Limited
PO Box 14 347, Panmure, Auckland, NZ.
Technical Support (09) 259 1662 | e: sales@simx.co.nz
www.simx.co.nz

We reserve the right to change specification without prior warning

PUB1338 iss01 08/15