

## GENERAL INFO

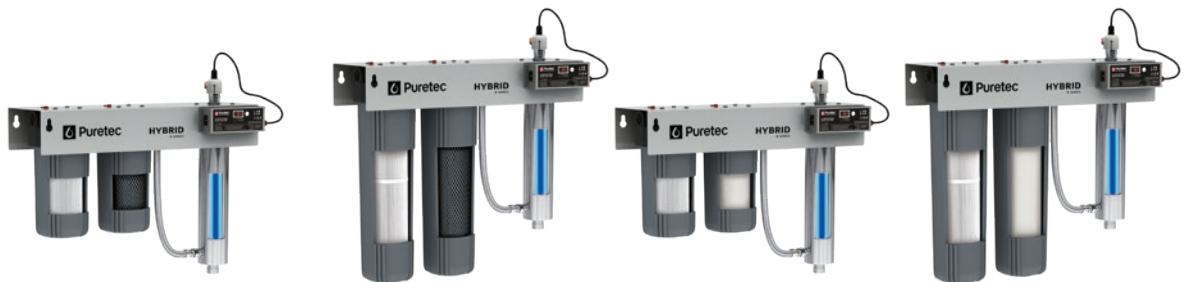
## FILTRATION AND ULTRAVIOLET ALL-IN-ONE UNIT WITH REVERSIBLE COVER

Provides safe and bacteria-free water for your whole house.

Suited to small to large households, these systems are designed for both mains and rainwater supply. This unit can be installed from **left to right** or **right to left** depending on the installation requirements.

## FEATURES & BENEFITS

- Reduces sediment, chemicals including chlorine, bad taste and odour. (Hybrid R1 & R2 Models).
- Reduces sediment, silt, sludge, dirt, rust, coarse & fine particles. (Hybrid R3 & R4 Models).
- Reversible mounting bracket for easy installation. This unit can be installed from left to right or right to left depending on the installation requirements.
- Kills 99.99% of E. coli, Giardia and Cryptosporidium cysts with Radfire™ ultraviolet technology, a natural purification process that's completely eco-friendly and chemical free.
- Quick and easy plug-and-play installation.
- Turns your tank and mains water into pure, safe, delicious drinking water.
- Filtration and ultraviolet all-in-one unit.
- Equipped with a lamp count-down timer and alarm.
- Anti-corrosion construction.



HYBRID-R1 (AU MODEL)

10", 1 connection, max. flow: 75 Lpm

HYBRID-R2 (AU MODEL)

20", 1 connection, max. flow: 130 Lpm

HYBRID-R3 (NZ MODEL)

10", 1 connection, max. flow: 75 Lpm

HYBRID-R4 (NZ MODEL)

20", 1 connection, max. flow: 130 Lpm

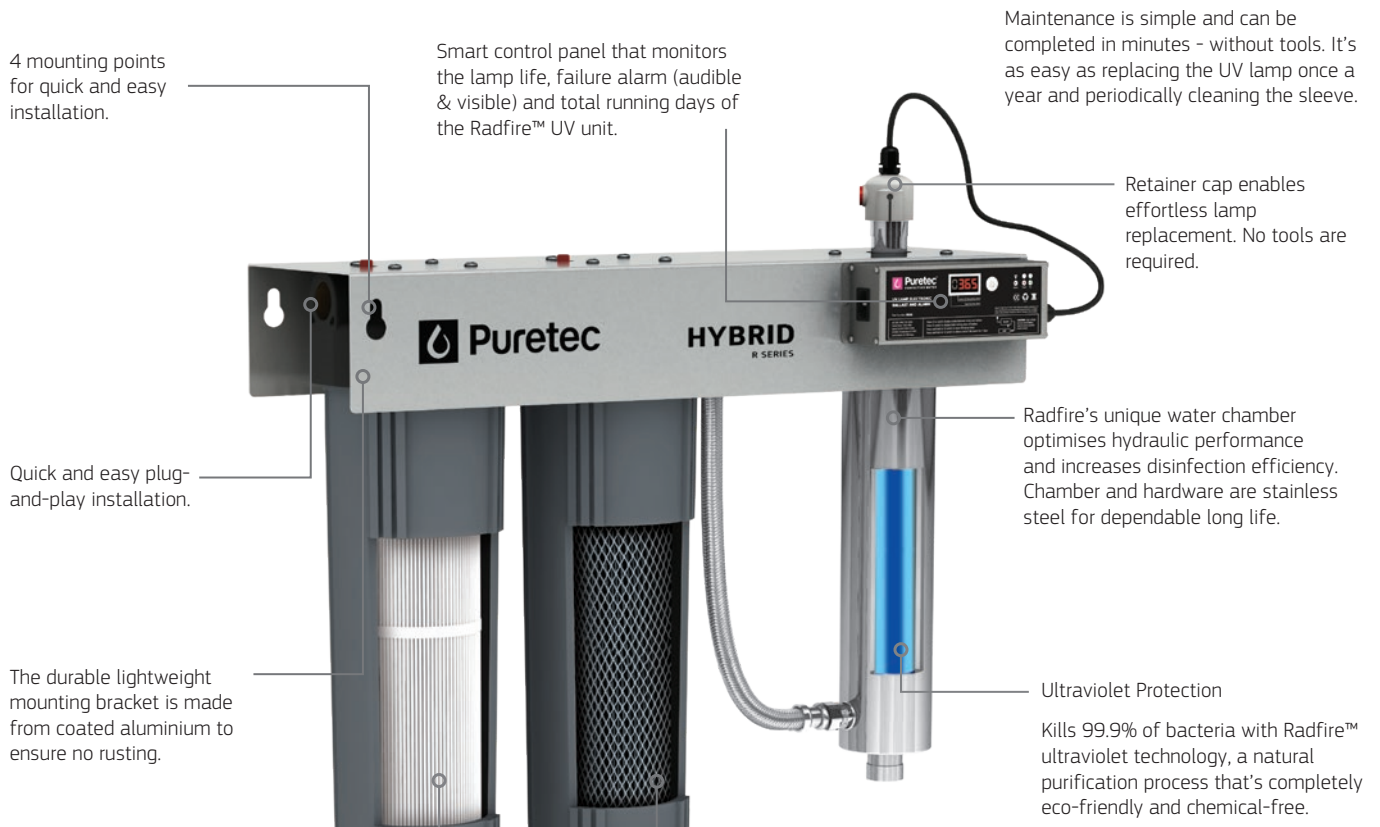
Ordering Code:	HYBRID-R1 (AU MODEL)	HYBRID-R2 (AU MODEL)	HYBRID-R3 (NZ MODEL)	HYBRID-R4 (NZ MODEL)
----------------	-------------------------	-------------------------	-------------------------	-------------------------

### Replacement parts and cartridges:

Stage 1 filtration:	PL05MP1	PL05MP2	PL20MP1	PL20MP2
Stage 2 filtration:	DP10MP1	DP10MP2	PX01MP1	PX01MP2
UV lamp, 46 W	RL6	RL6	RL6	RL6
Quartz sleeve:	RQS6	RQS6	RQS6	RQS6
Flow rate @40mJ/cm <sup>2</sup> :	54 Lpm	54 Lpm	54 Lpm	54 Lpm
Flow rate @30mJ/cm <sup>2</sup> :	70 Lpm	70 Lpm	70 Lpm	70 Lpm
Flow rate @16mJ/cm <sup>2</sup> :	130 Lpm	130 Lpm	130 Lpm	130 Lpm
Connection:	1" BSP [25mm]	1" BSP [25mm]	1" BSP [25mm]	1" BSP [25mm]
Warranty:	3 years <sup>^</sup>	3 years <sup>^</sup>	3 years <sup>^</sup>	3 years <sup>^</sup>

Important Note: Use only genuine Puretec replacement cartridge. Flow rate @30mJ/cm<sup>2</sup> is the industry standard for drinking water.

**DIAGRAM & FILTRATION TECHNOLOGY**



**Stage 1 Filtration**

**HYBRID R1 & R2 MODELS**  
A washable 5 micron sediment removal filter to remove silt, sludge, dirt and rust.

**HYBRID R3 & R4 MODELS**  
A washable 20 micron sediment filter to remove silt, sludge, dirt, rust and other coarse particles.

**Stage 2 Filtration**

**HYBRID R1 & R2 MODELS**  
A carbon cartridge that reduces bad taste, odour and chemicals in your water.

**HYBRID R3 & R4 MODELS**  
A solid 1 micron filter to remove fine particles.



**Reversible Installation Option**

This unit can be installed from left to right or right to left depending on the installation requirements.

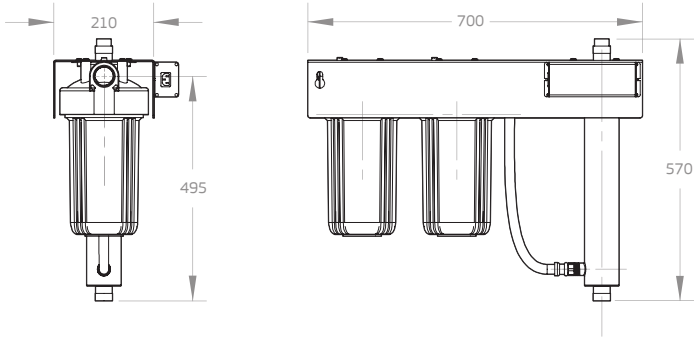


**Dual Stage Filtration with UV Protection**

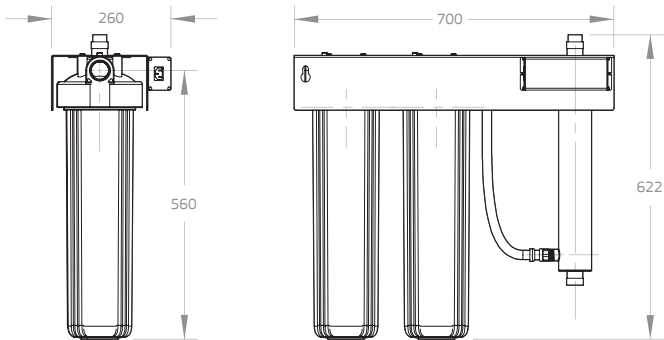
Highly effective and efficient at removing dirt, rust, sediment, bad taste and odour in your water, providing good general purpose filtration.

**PRODUCT DIMENSIONS** Measurements in Millimeters (mm)

HYBRID R1 & R3



HYBRID R2 & R4



**WaterMark**

WMTS103:2016  
Licence No. WM 74593  
Australian Certification Services

- Note:**
1. No claims can be made based on the specifications and images in this document. The design, technology, colours, features and prices are subject to change.
  2. This document and all its contents are copyright protected. All rights are reserved, particularly alteration, translation and reproduction using electronic systems.
  3. ^Warranties in this document cover parts for the period stated and include cover for parts and labour for the first year where applicable, subject to approval. Plus 2 years parts only. Our Water Filtration Specialists can provide you with advice to suit your needs.
  4. The Hybrid R Series needs to be installed where it is protected from the weather. For outside installations use the Hybrid G Series.