

DOUBLE DRAWER

**QUBO.**

*Michel César*

QU710D2WH/ QU710D2WHT/ QU71D2WHVG/ QU71D2WHPT/  
QU71D2WHPTD/ QU71D2WHC/ QU71D2WHCT

---



### Product Feature

- + Paint — The paint used on our products is polyurethane or UV based. It is five times harder and more durable than lacquer finishes. Hundreds of gloss colour options available.
- + Timber finishes — Our timber finishes are available in Dark Oak, Natural Oak, White Oak, Walnut, Noce, Chestnut and Tussock. Being 100% natural products, each will have variations in grain and colour. All come stained and sealed with a protective UV finish. Gloss option is available for most veneers.

### Vanity Finishes



Blonde Oak

Natural Oak

White Oak

Noce

Walnut

Dark Oak

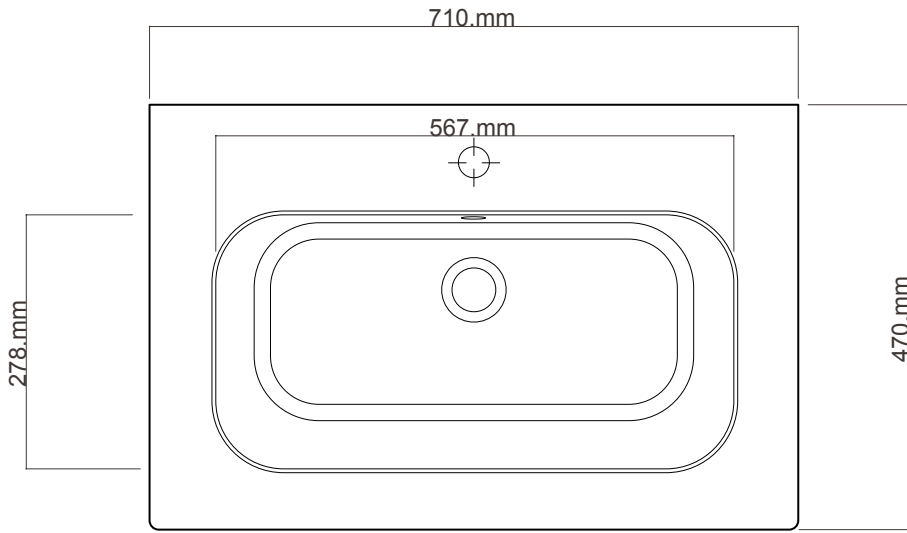
Chestnut

Tussock

White Paint  
Finish

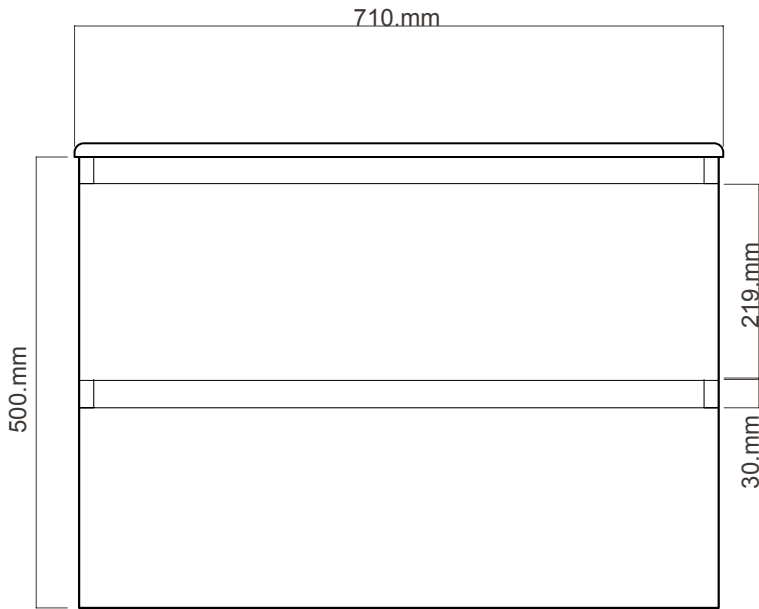
NEW

---

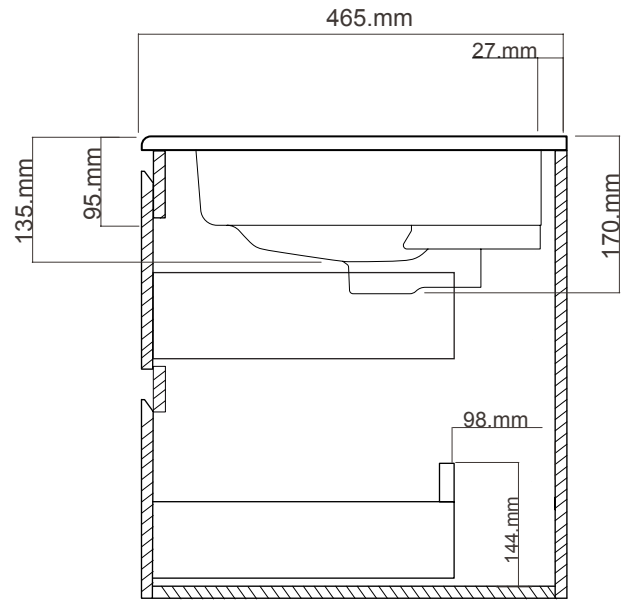


TOP WASHBASIN VIEW

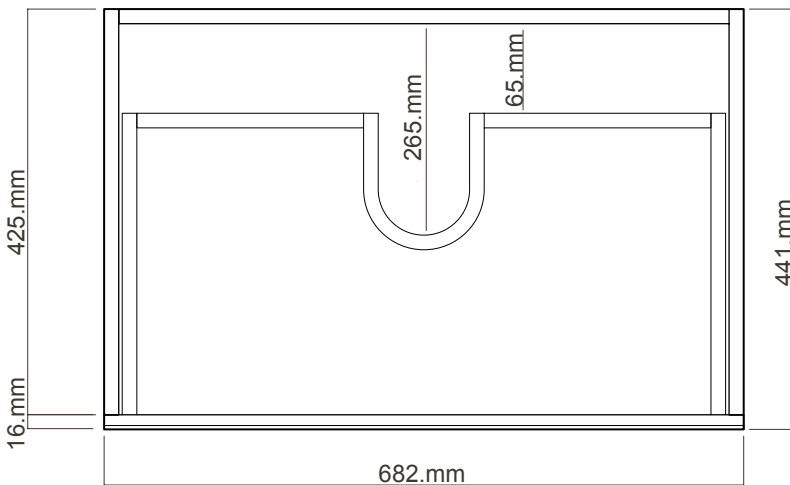
NOTE : Drawing indicate the technical measurement only and is not a reflection of how the unit will look.



FRONT VIEW



SIDE WASHBASIN VIEW



DRAWER

## QUBO

Code: QU71D2WH

Description: Wall Hung Unit 710  
2 Drawer, With Qubo  
Ceramic Basin,