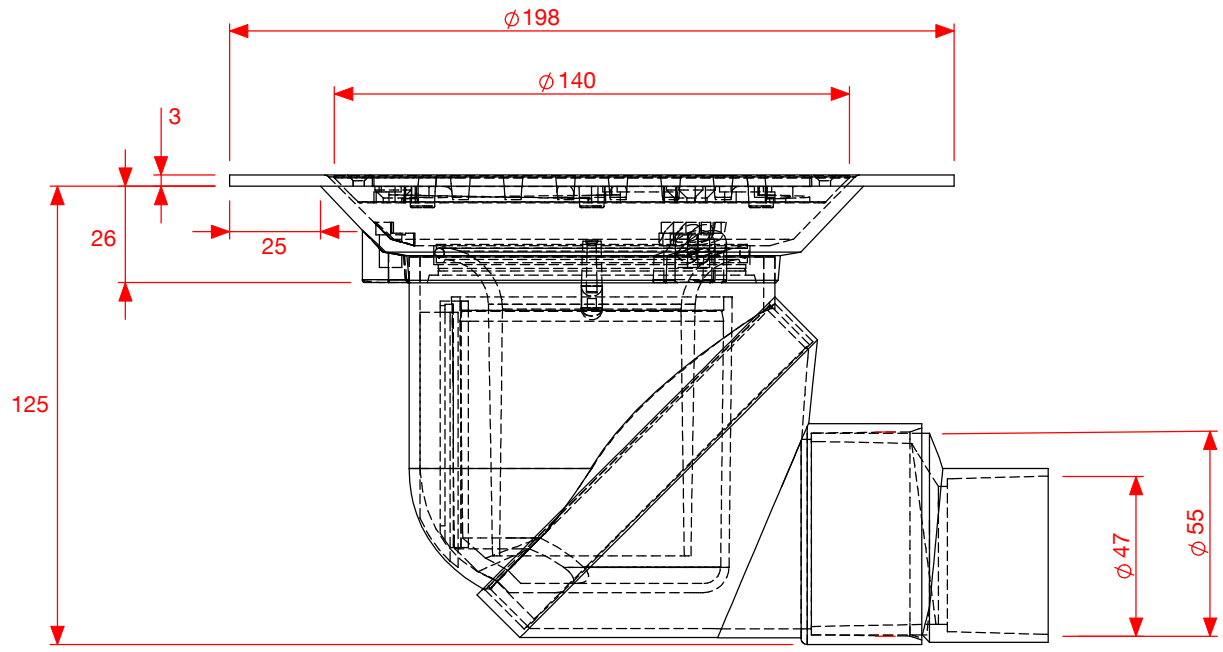
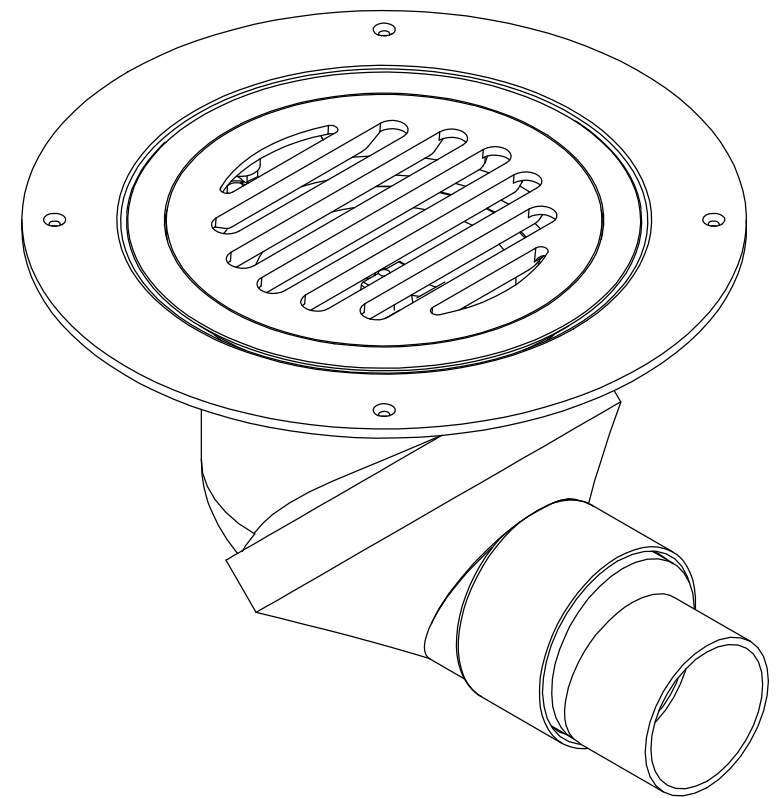
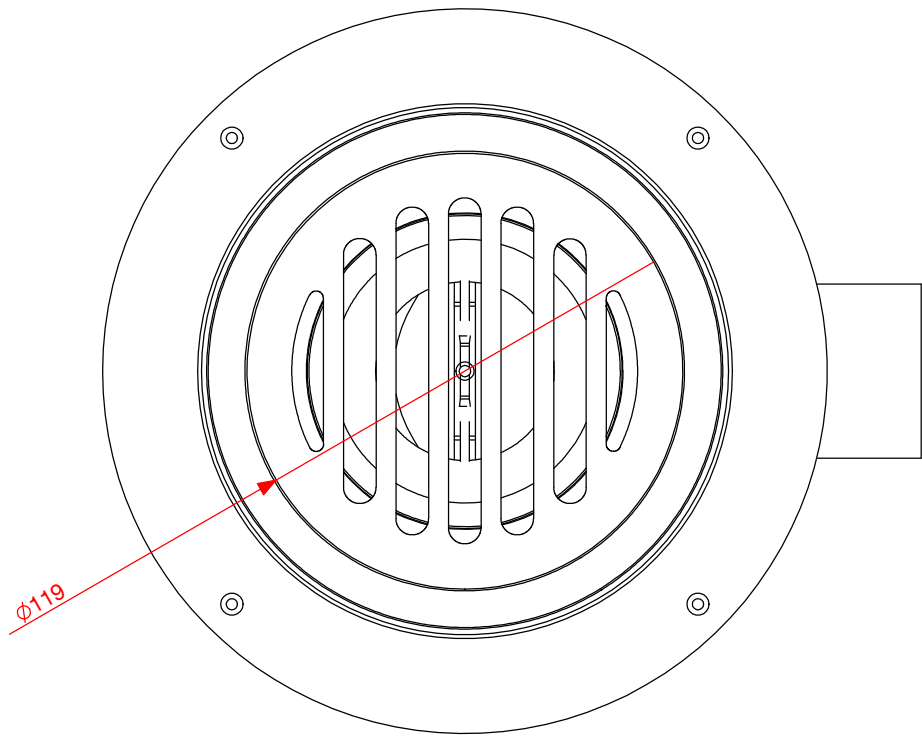


DESCRIPTION

CODE	FINISH
REVCV	CHROME PLATED BRASS
REVBV	BRASS
REVSV	STAINLESS STEEL



REVISIONS	CHANGES	DRAWN	DATE	DO NOT SCALE DRAWING		TITLE
				REQUESTED K.A.	DATE MARCH 2014	REVOLVER CHROME BRASS VINYL EASY CLEAN 50MM OUTLET
				DRAWN S.L.	DATE MARCH 2014	
				APPROVED	DATE	APPLICABLE STANDARD(S):
XXX	XXX	S.L.	XXX	MATERIAL PVC		PART NUMBER REVCV
TOOL NUMBER		0.0				SCALE 1 : 2 (UOS)
PART WEIGHT(GRAMS)		0.0				
FILE	S\CAD FILES\2014\DIVERSE\REVCV			A3	UNITS = MM	SHEET 1 OF 1

DISCLAIMER : THE DESIGN SUGGESTION IS PROVIDED FOR EVALUATION PURPOSES ONLY.
IT IS NOT TO BE CONSIDERED A FULL DESIGN AS WE ARE NOT THE CONSULTING ENGINEERS, WE ARE MANUFACTURERS. WE ARE NOT PRIVY TO ALL THE INFORMATION PERTAINING TO THIS MATTER AND WE HAVE NO CONTROL OVER THE PROJECT INSTALLATION OF THE PRODUCT. THE DESIGN SUGGESTION IS PROVIDED WITHOUT OBLIGATION.
DESIGN IS TO BE CONFIRMED AND APPROVED BY THE ARCHITECT, HYDRAULICS ENGINEER, OR PROJECT MANAGER. ACCURATE MEASUREMENTS SHOULD BE CONFIRMED BY THE PERSON APPROVING THE DESIGN. ALLPROOF ACCEPTS NO LIABILITY FOR THE IMPROPER USE OF THE DESIGN SUGGESTION.

