



Gas Continuous Flow Water Heating



**Residential
Range**

November 2023

TRUSTED BY PLUMBERS AND GASFITTERS

RHEEM GAS CONTINUOUS FLOW

Rheem Gas Continuous Flow Water Heaters deliver hot water when you need it, for as long as you need it, and they only heat water on demand.*

With an added, removable** water-saving feature, this water heater ensures efficient operation at all times.

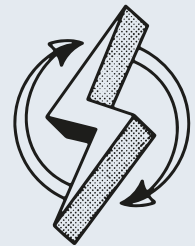
This appliance can be conveniently mounted to, or recessed into your exterior wall, giving you precious interior space back. Homes with high peak loads, or when hot water is required only occasionally (such as baches, holiday homes) benefit greatly from a Rheem Gas Continuous Flow Water Heater.

Connected to either Natural Gas or to ULPG storage bottles, the water temperature is pre-set on the appliance, or is adjustable with optional remote temperature controllers installed indoors. Rheem Continuous Flow Water Heaters are suitable for mains and medium pressure water, and require electricity to operate.

In homes with high demand for water, in colder areas, or in areas where ambient water temperature is low, two appliances can be linked together by using the Rheem EZ Link® system to supply twice the flow.

HOW CONTINUOUS FLOW WORKS

The water heater operates automatically, heating the water as it passes through the appliance. When a hot tap is opened, the gas burners ignite to provide immediate water heating. The heat produced by the burner is transferred to the water through the heat exchanger. The gas burners extinguish when the hot tap is closed.



Flamesafe overheat protection

6 star energy rating

Digital display for easy fault diagnosis and service

Frost protection

Rheem EZ Link® compatible to link two units for increased supply

Indoor and outdoor models

Every unit comes with a pre-set hot water temperature of 55°C. The temperature can be adjusted inside the unit any time (this must be done by a qualified gasfitter).

Switchable start-up flow rate**

Common pipe layout**

Controllers (sold separately) can be added to the module to help to conveniently control your ideal water temperature (the maximum water temperature is 55°C when set by controllers)

Flow Rate: 16L–27L per minute

Natural Gas or ULPG

*Providing gas, water & power are available. Always ensure you use a registered professional for all your plumbing and gasfitting needs.

**Except the 27L models

Rheem Gas Continuous Flow solutions for every home



Rheem 16 - Outdoor
1-1.5 Bathrooms, 1-3 people

An ideal solution for compact home sites, baches, cribs or apartments.



Rheem 20 - Outdoor
1.5-2 Bathrooms, 2-4 people

Medium capacity model ideal for small to medium-sized homes and apartments.



Rheem 26 - Outdoor
2-3 Bathrooms, 4-6 people

A popular model in more temperate areas, with the capacity to suit most homes.



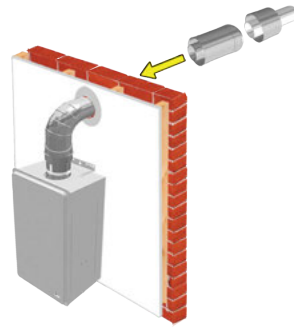
Rheem 27 - Outdoor
2.5-3 Bathrooms, 4-6 people

Ideal for larger families with limited space and high demands for hot water.



Rheem 27 - Indoor
2.5-3 Bathrooms, 4-6 people

The only Rheem indoor Gas Continuous Flow model (must be flued to the outside of the building).



Indoor Model Flue Kit[^]

The indoor model must be installed using a certified Rheem flue system. Always check with local authorities that the installation complies with all regulations applicable in your area.



Security Bracket[^]

The Rheem Gas Continuous Flow security bracket prevents access to the bolts that fix the water heater to the wall, by locking the lower section of the water heater in place.



Recess Box[^]

Recess box comes with door and mounting brackets to fit various models.



Pipe Cover[^]

Designed to cover pipework and valves.



EZ Link[®] Kit[^]

Links two units together and provides staged heating to reduce wear and energy use. Kit contains 1.8m cable and fittings.



Remote Controllers[^]

Wired temperature controllers for both kitchens and bathrooms

WHY CHOOSE RHEEM?



ENERGY EFFICIENT

All Rheem Gas Continuous Flow water heaters have a 6 star energy rating.



FROST PROTECTION

All models of Gas Continuous Flow water heaters are frost protected down to -20°C (power must remain to the unit for the frost protection function to operate).



TWICE THE FLOW

Two units can be linked together using the Rheem EZ Link® system to supply twice the flow. Ideal for homes with high water demand or in climates with cooler incoming water.



FLAMESAFE OVERHEAT PROTECTION SYSTEM

Automatically shuts down the unit, should a fault occur.



10-YEAR WARRANTY

Rheem New Zealand offers a 10-year warranty on the heat exchanger and a 3-year warranty on parts and labour.



FULL TECH SUPPORT

Rheem has a national service network of after-sales professionals to provide expert technical advice and fast service.

COMMONLY ASKED QUESTIONS AND ANSWERS

Q: Can a Rheem Gas Continuous Flow operate on tank water systems?

A: Yes, but check your water pressure first. Continuous Flow units require a water press of 120kPa (16-26L models) & 140kPa (27L models) to operate.

Q: How does the frost protection work?

A: If the temperature inside the water heater drops below 4°C, small electric heaters turn on to prevent freezing inside. Once the temperature inside the water heater reaches 12°C, the heaters turn off.*

Q: Do you have to have a temperature controller?

A: No, each unit electronically controls water temperature internally, factory set to 55°C.

Q: How can you get (more) controllers?

A: The controllers are available to purchase separately as an add-on accessory to all Rheem Gas Continuous Flow models**. The maximum number of controllers is three: one each of Kitchen, Bathroom1 and Bathroom2.

Q: Can you retrofit the controllers?

A: Yes, provided that wiring can still be installed into the building.

Q: Are the controllers wireless?

A: No, the controllers are hard-wired.

COMMERCIAL PRODUCTS

Our commercial model Gas Continuous Flow water heater range suits larger commercial applications and is suitable for sanitising when set at 82°C.

For more information, visit www.rheem.co.nz or call 0800 657 336.

Finding the right fit for your home



16L Outdoor ULPG or Natural Gas	1 to 1.5	1 to 3
20L Outdoor ULPG or Natural Gas	1.5 to 2	2 to 4
26L Outdoor ULPG or Natural Gas	2 to 3	4 to 6
27L Outdoor ULPG or Natural Gas	2.5 to 3	4 to 6
27L Indoor ULPG or Natural Gas	2.5 to 3	4 to 6

Accessories available for your continuous flow water heater:

Pipe cover
Controllers
EZ Link®

Recess Box
Security lock

*The unit must be connected to power.

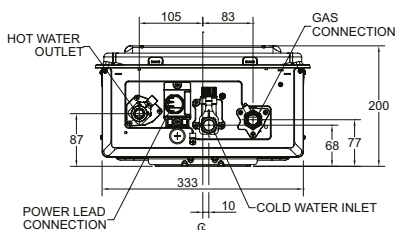
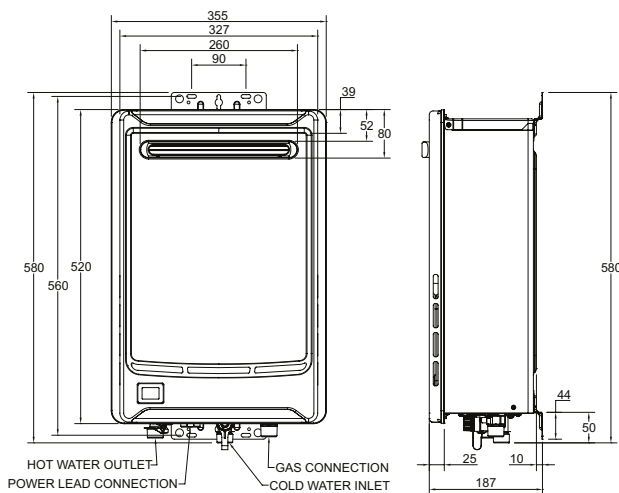
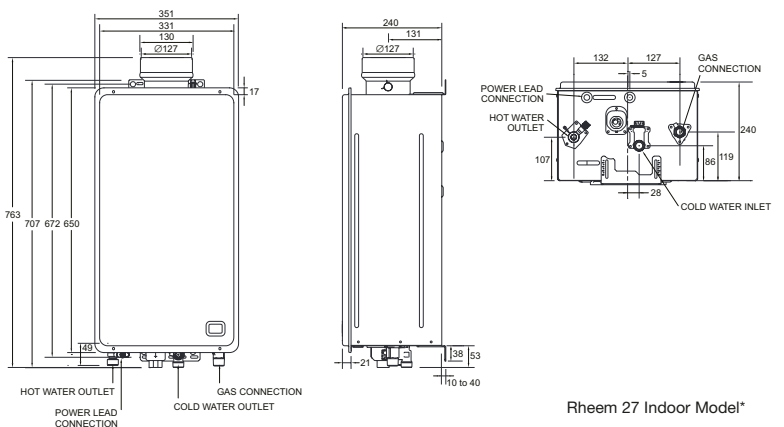
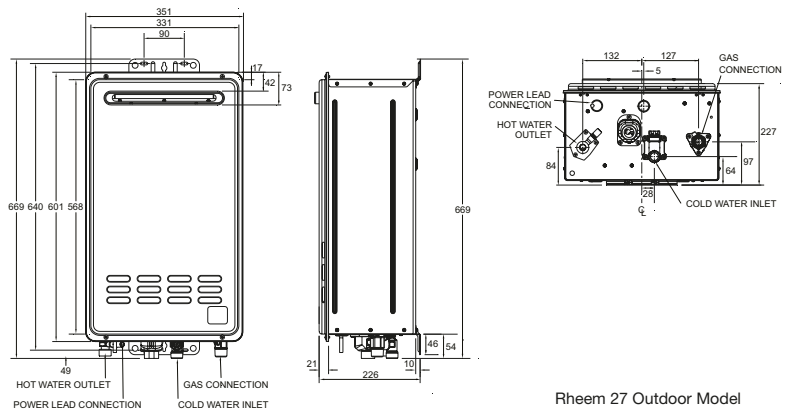
**Suitable for Rheem 16-26 models manufactured since 2018 and all Rheem 27 models.

RHEEM GAS CONTINUOUS FLOW PRODUCT DATA

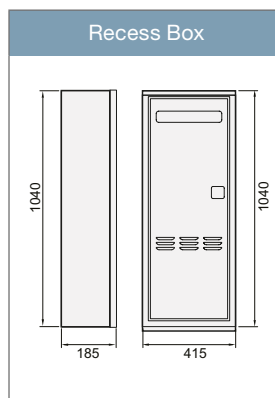
	Rheem 16	Rheem 20	Rheem 26	Rheem 27	Indoor 27*
Model Number	874816NFZ/LFZ	874820NFZ/LFZ	874826NFZ/LFZ	874627NFZ/LPZ	864627NFZ/LPZ
Nominal L/Min @25°C Rise	16L/Min	20L/Min	26L/Min	27L/Min	27L/Min
Gas Input Max	126 MJ/hr	157 MJ/hr	199 MJ/hr	205 MJ/hr	205 MJ/hr
Gas Type	NG or ULPG	NG or ULPG	NG or ULPG	NG or ULPG	NG or ULPG
Min Gas Supply Pressure NG/ULPG	1.13 kPa/ 2.75 kPa	1.13 kPa/ 2.75 kPa	1.13 kPa/ 2.75 kPa	1.13 kPa/ 2.75 kPa	1.13 kPa/ 2.75 kPa
Water Pressure (kPa) Min-Max	120-1000	120-1000	120-1000	140-1000	140 - 1000
Minimum Flow Rate	2.0L/Min	2.0L/Min	2.0L/Min	2.0 L/Min	2.0 L/Min
Approx. Weight (empty)	16kg	16kg	16kg	23kg	24kg
Freeze Protection	Yes	Yes	Yes	Yes	Yes

Accessories

Continuous Flow Accessories	Part No.
Horizontal Flue Kit Side Exit	318278
Horizontal Flue Kit Rear Exit	318279
Vertical Flue Kit	318280
Recess Box - For Rheem 27	320316
Recess Box - For Rheem 16, 20 & 26	318994
Pipe Cover - For Rheem 27	320116
Pipe Cover - For Rheem 16, 20 & 26	320117
EZ Link® Kit	299291
Standard Kitchen Temperature Controller	A299850
Standard Bathroom 1 Temperature Controller	A299851
Standard Bathroom 2 Temperature Controller	A299852
Security Bracket	320591



Rheem 16, 20 & 26
Outdoor Models



***Rheem 27 Indoor Flue System**

A certified Rheem coaxial flue system must be used with all Rheem 27 indoor models. There are three indoor flue kits available: Horizontal Side Exit, Horizontal Rear Exit and Vertical. Please contact your local plumber, plumbing merchant or Rheem Customer Service on 0800 657 336 to discuss the best solution for your needs. The Rheem flue system uses a twin pipe design (one pipe inside the other), an inner pipe of stainless steel for exhaust, and an outer steel pipe for inlet air. This flue system can exhaust either through a roof or wall. (Subject to Building Regulations).

You'll love the convenience



Install a Rheem®

Rheem New Zealand Limited

475 Rosebank Road, Avondale 1026, PO Box 19011, Avondale, Auckland 1746. Freephone 0800 657 336 – www.rheem.co.nz
All specifications contained in this brochure are subject to change without notice. Please check the specifications are current at the time of ordering. All information is current at the time of publication (November 2023).